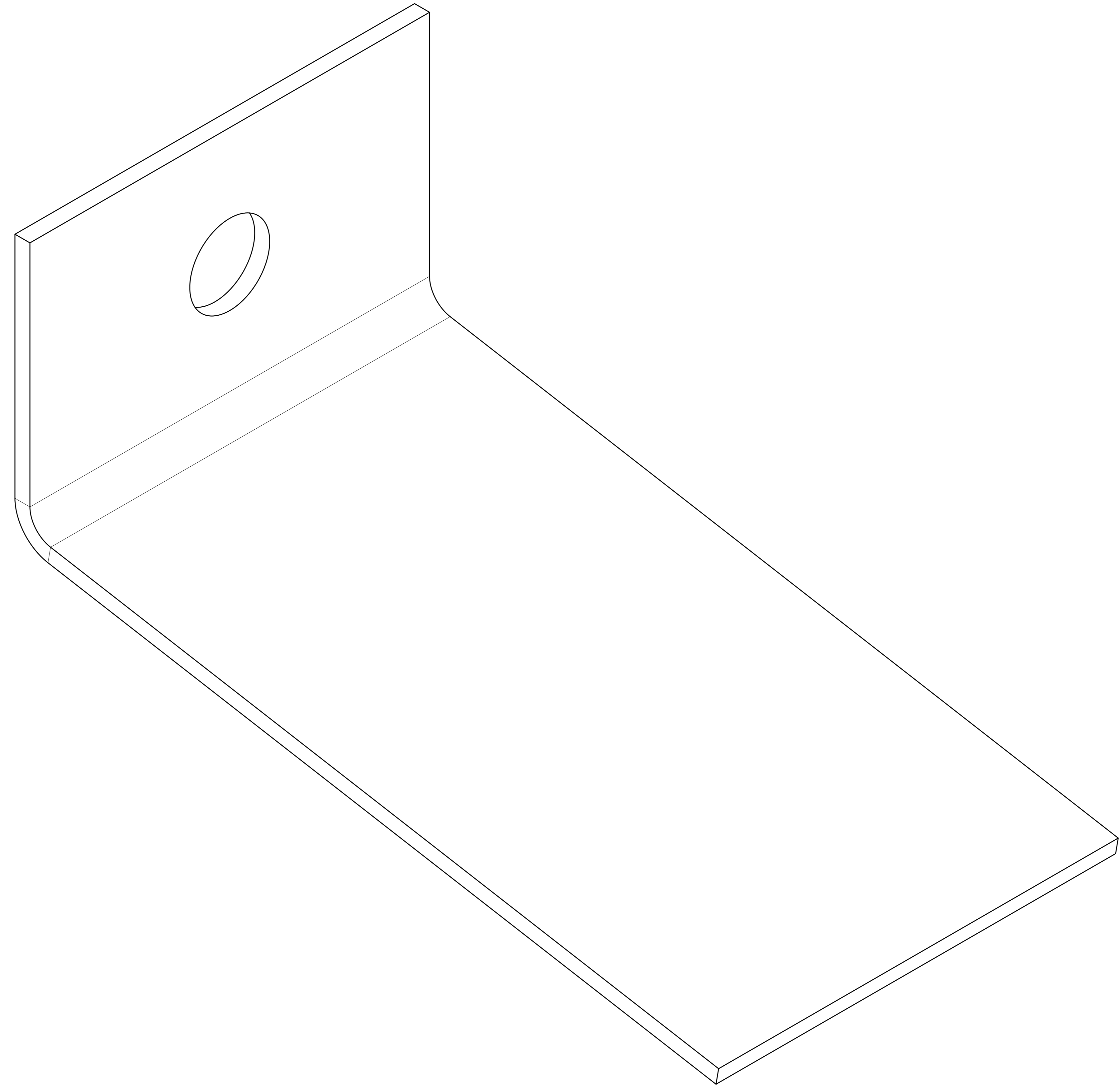
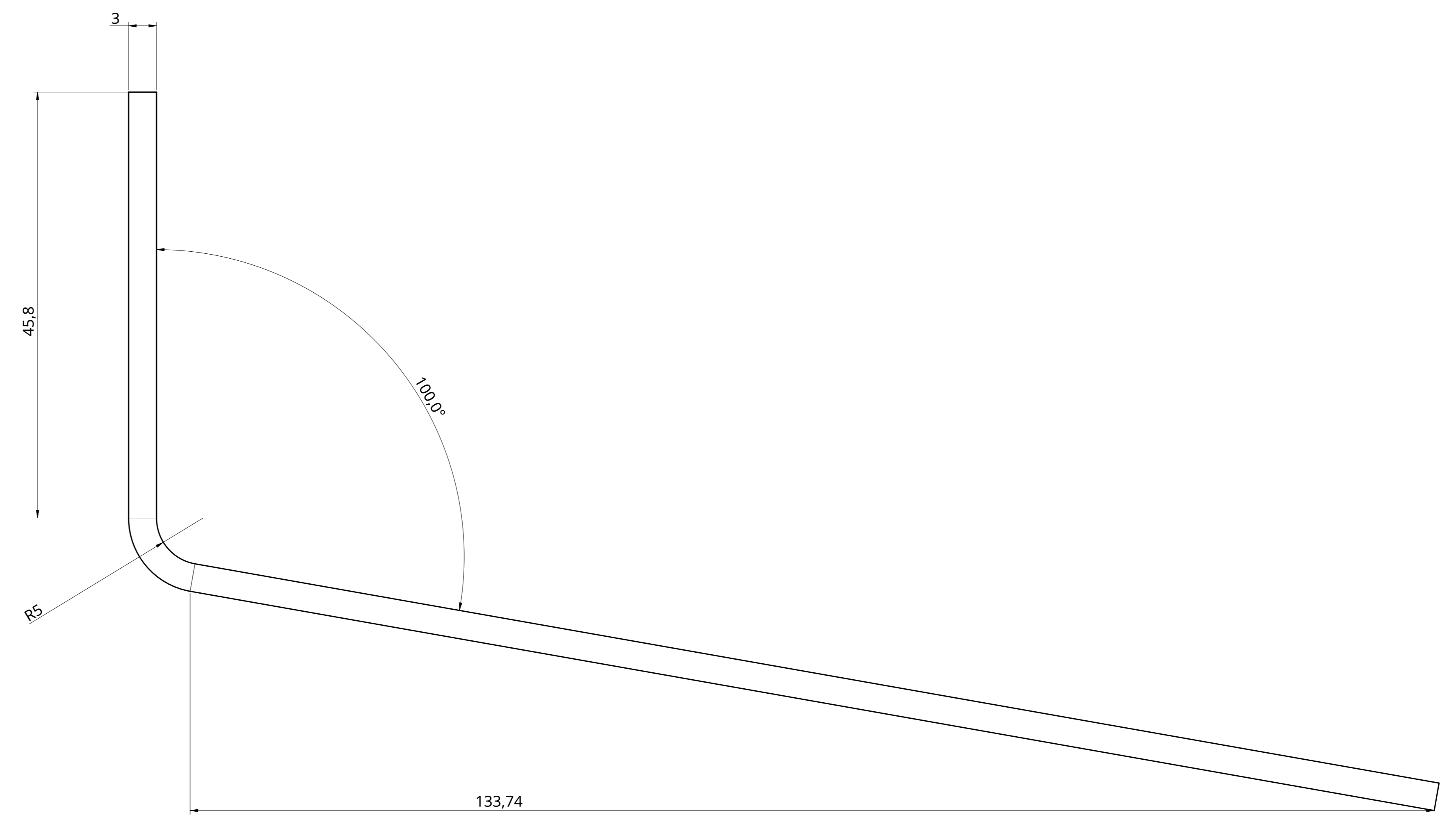
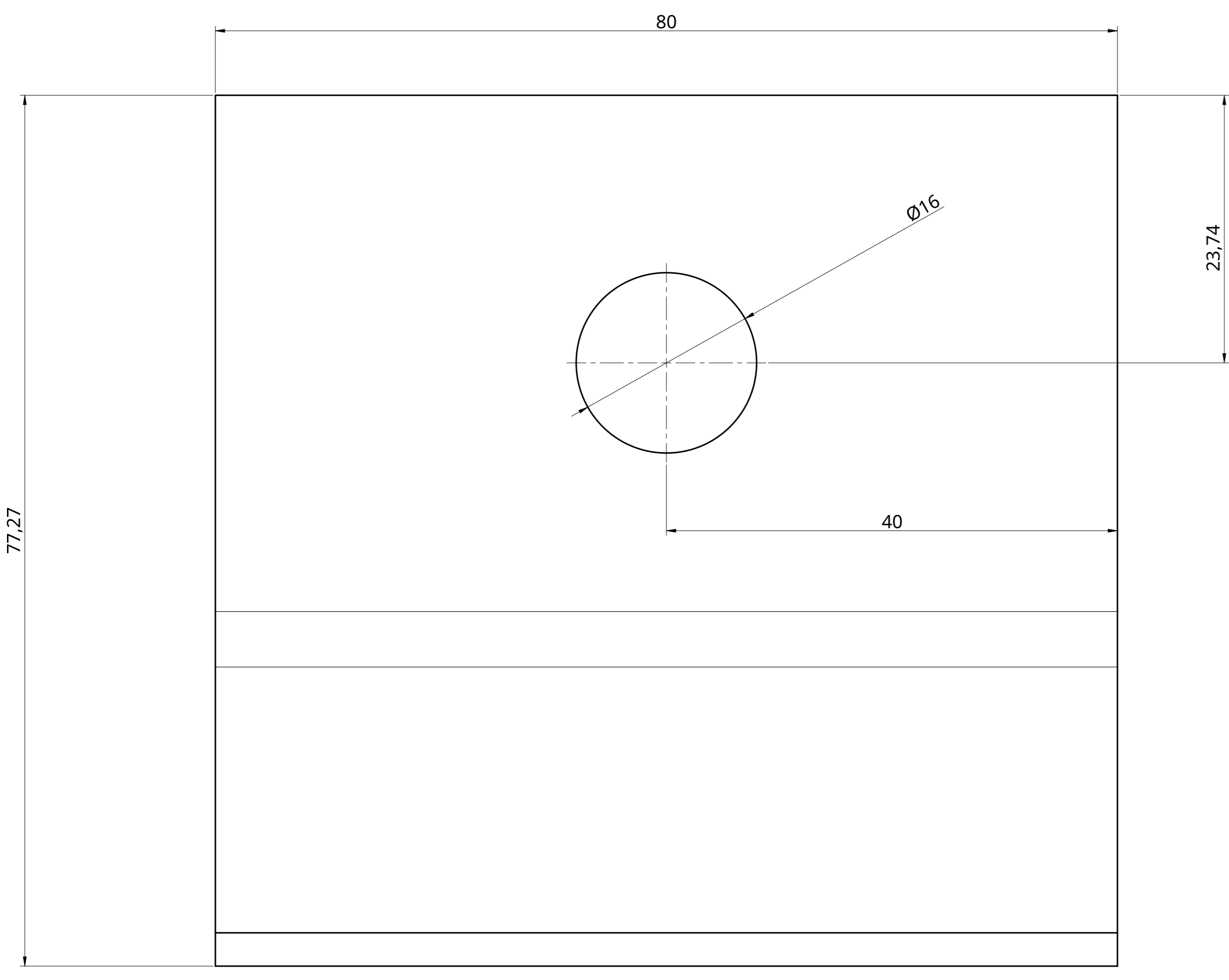


16 15 14 13 12 11 10 9 8 7 6 5 4 3 2 1

L  
K  
J  
I  
H  
G  
F  
E  
D  
C  
B  
A

L  
K  
J  
I  
H  
G  
F  
E  
D  
C  
B  
A



UNLESS OTHERWISE SPECIFIED, DIMENSIONS ARE IN MILLIMETERS		NAME	SIGNATURE	DATE		
ANGULAR = 2°	DRAWN	ALAN BARR		2024-05-29	TITLE	
SURFACE FINISH	CHECKED				NT Rear Sensor Bracket 16mm hole	
DO NOT SCALE DRAWING	APPROVED					
BREAK ALL SHARP EDGES AND REMOVE BURRS						
FIRST ANGLE PROJECTION	MATERIAL	FINISH	SIZE	DWG. NO.	REV.	
	Mild Steel 3mm	Mill	A0	NT SB 16 RR 29	1	
	SCALE	WEIGHT	SHEET			
	3:1		1 of 1			

16 15 14 13 12 11 10 9 8 7 6 5 4 3 2 1