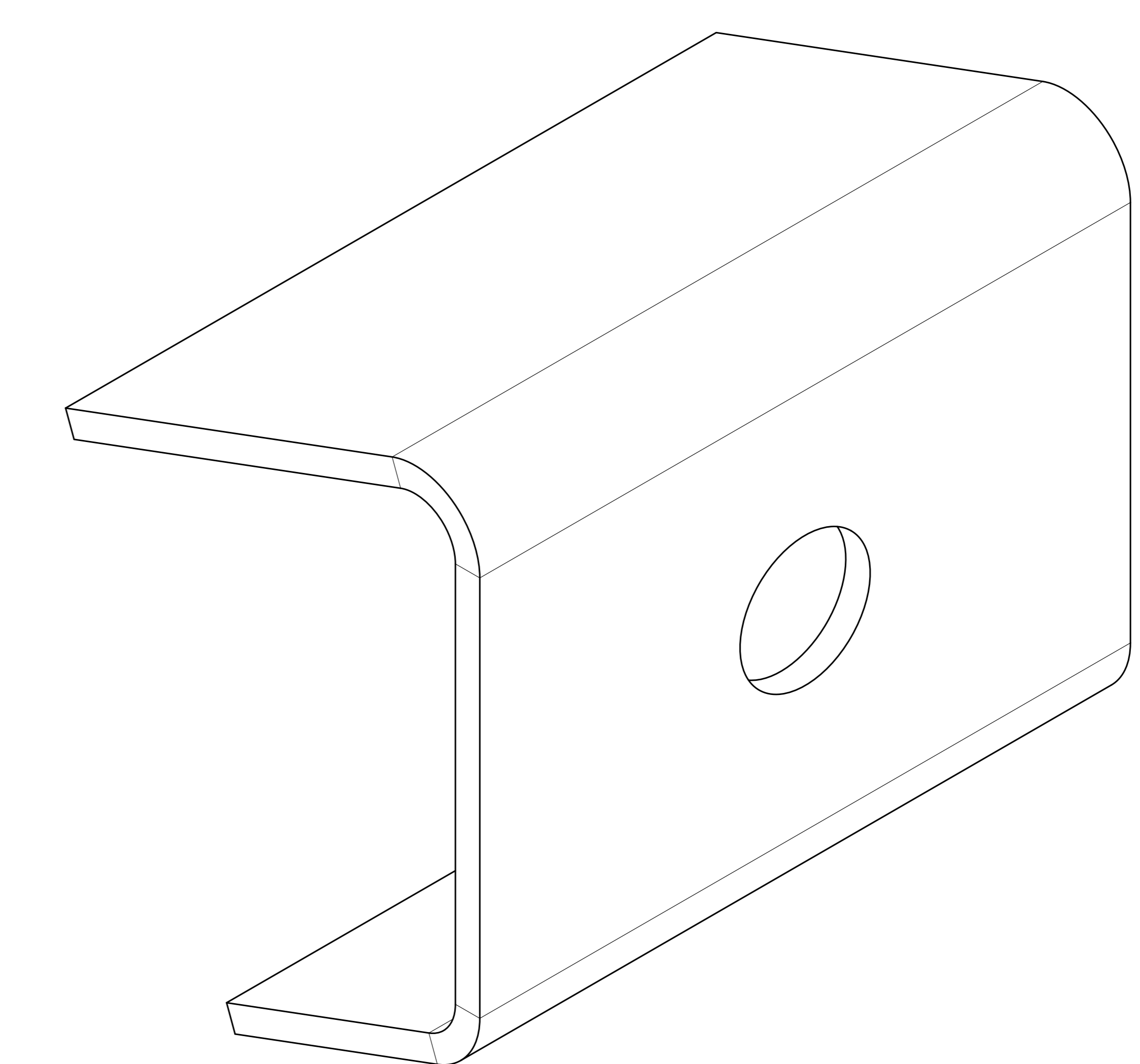
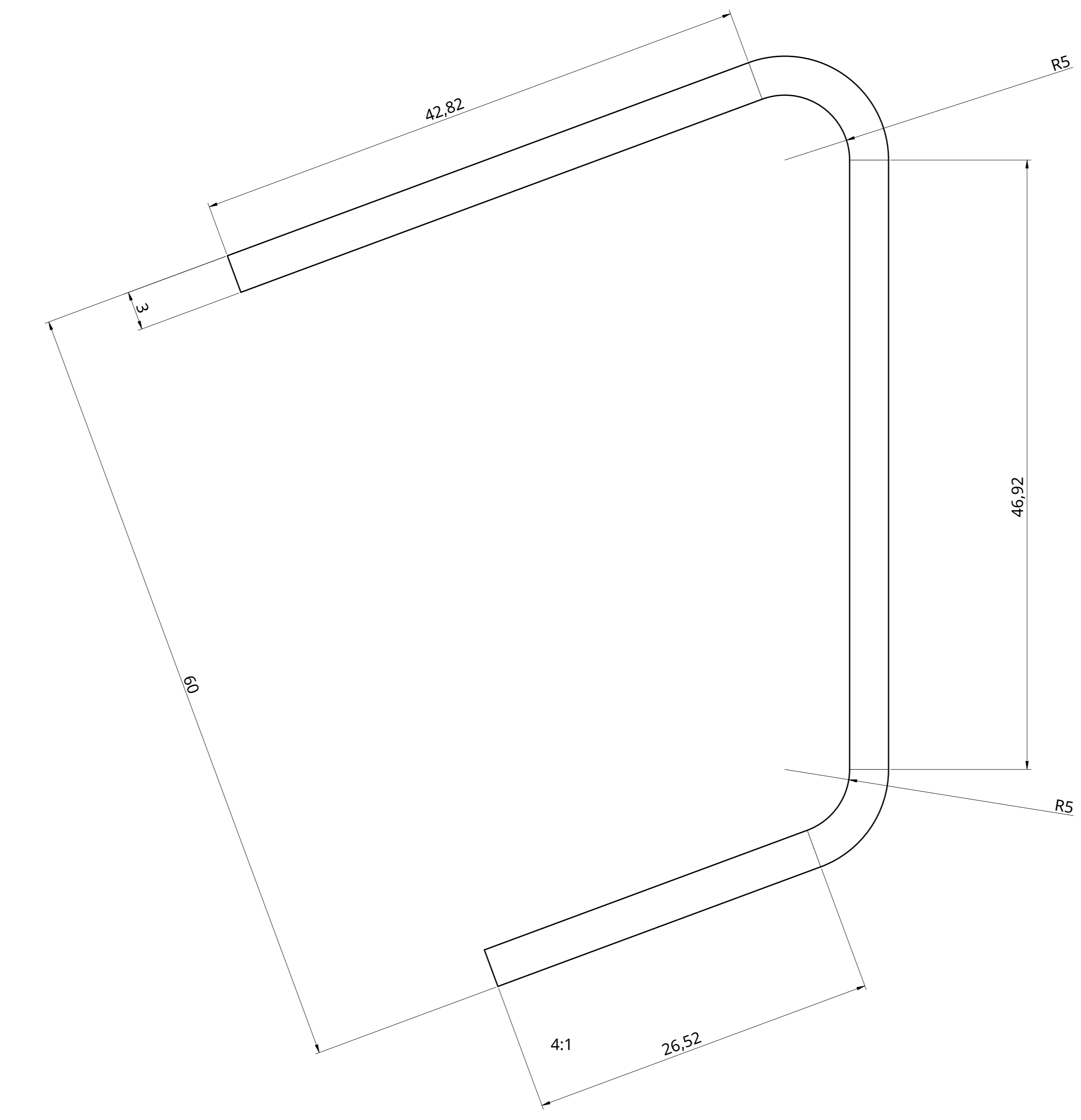
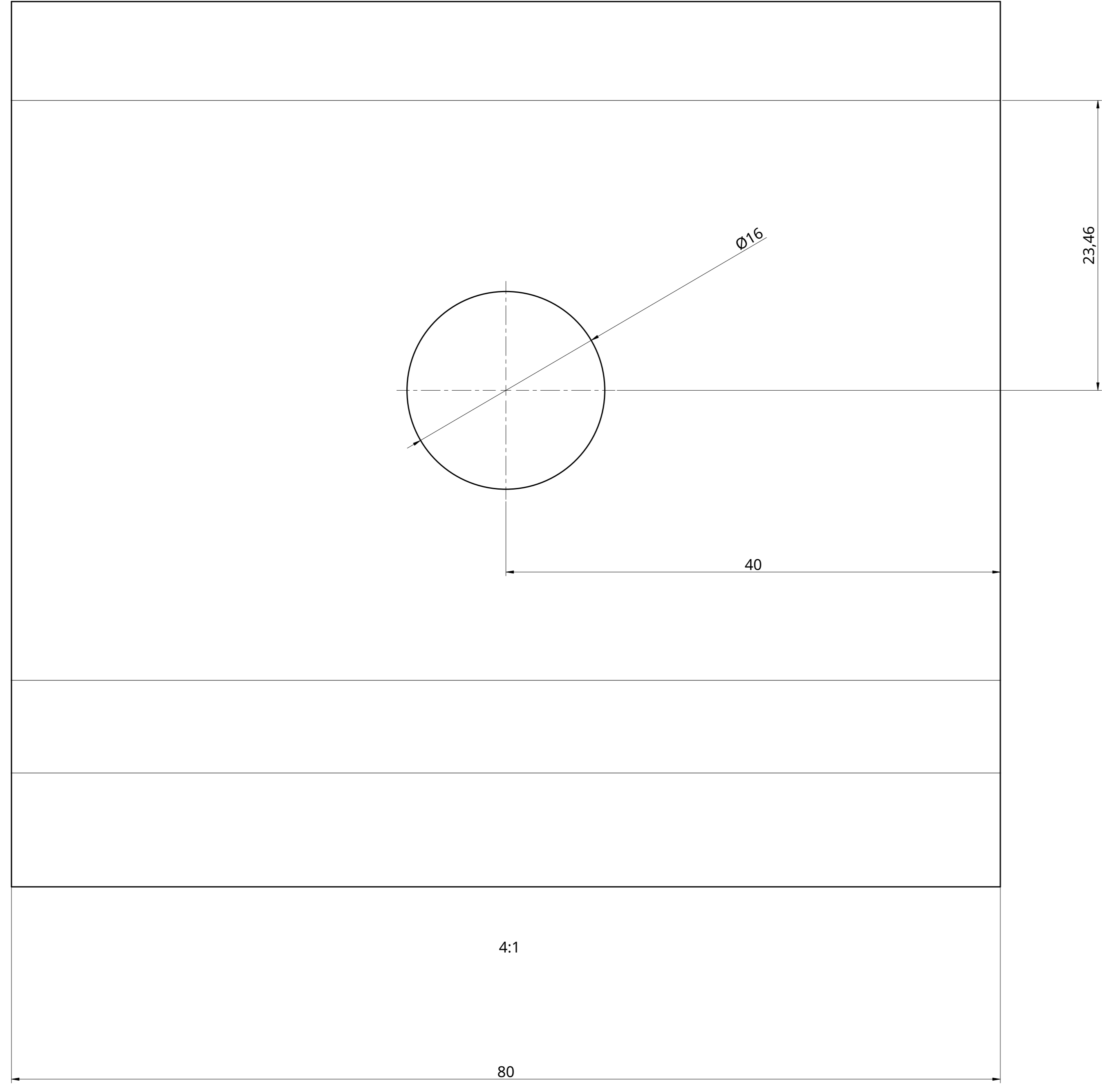


16 15 14 13 12 11 10 9 8 7 6 5 4 3 2 1

L
K
J
I
H
G
F
E
D
C
B
A

L
K
J
I
H
G
F
E
D
C
B
A



UNLESS OTHERWISE SPECIFIED, DIMENSIONS ARE IN MILLIMETERS		NAME	SIGNATURE	DATE
ANGULAR = 2°	DRAWN	ALAN BARR		2024-05-29
SURFACE FINISH	CHECKED			TITLE
DO NOT SCALE DRAWING	APPROVED			NT Front Sensor Bracket 16mm hole
BREAK ALL SHARP EDGES AND REMOVE BURRS				
FIRST ANGLE PROJECTION	MATERIAL	FINISH	SCALE	REV
	Mild Steel 3mm	Mill	A0 3:1	1
			WEIGHT	SHEET
				1 of 1

16 15 14 13 12 11 10 9 8 7 6 5 4 3 2 1