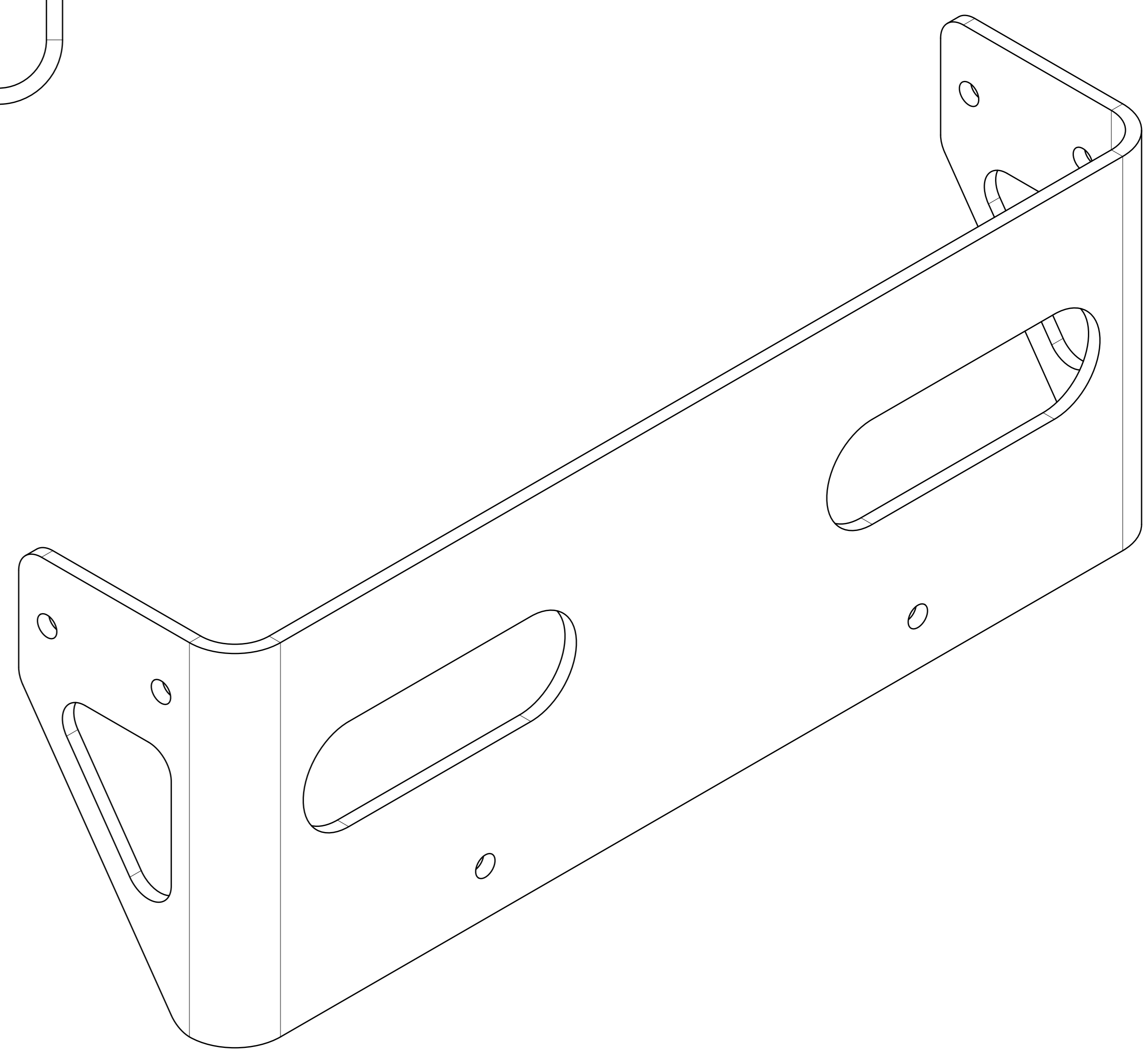
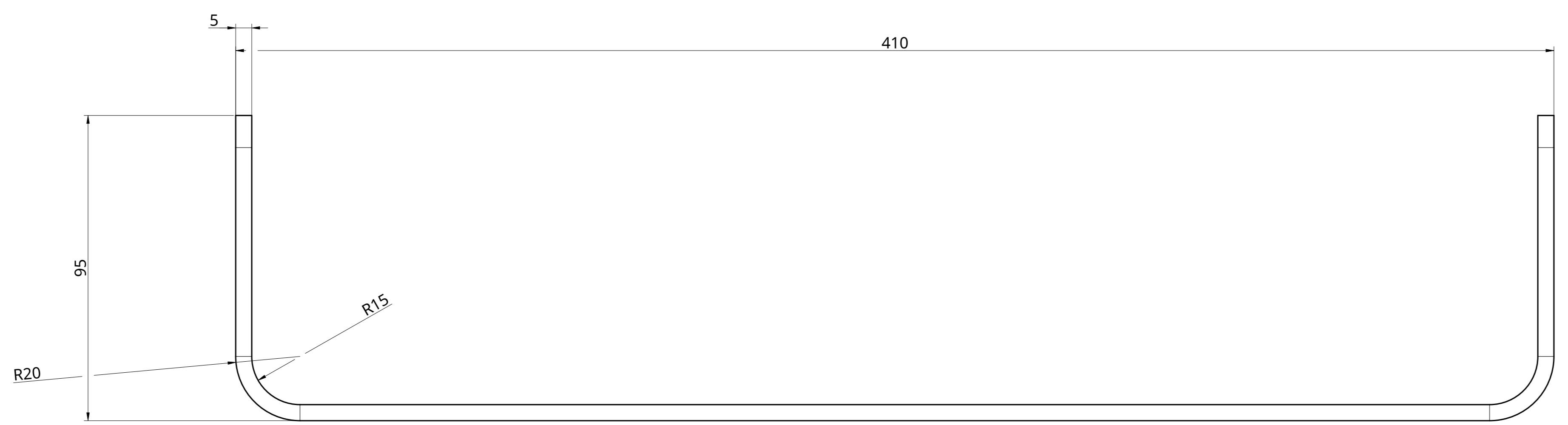
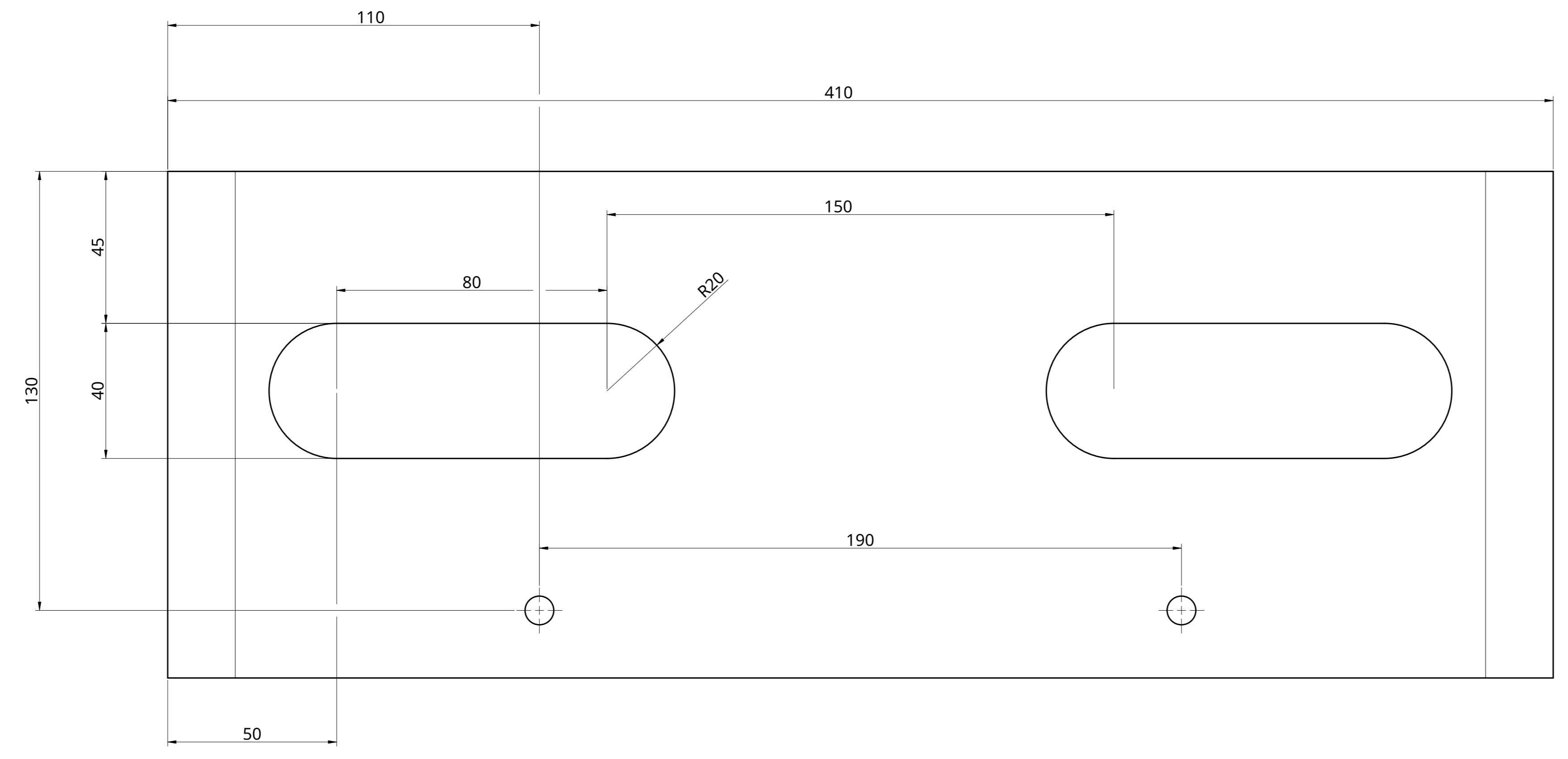
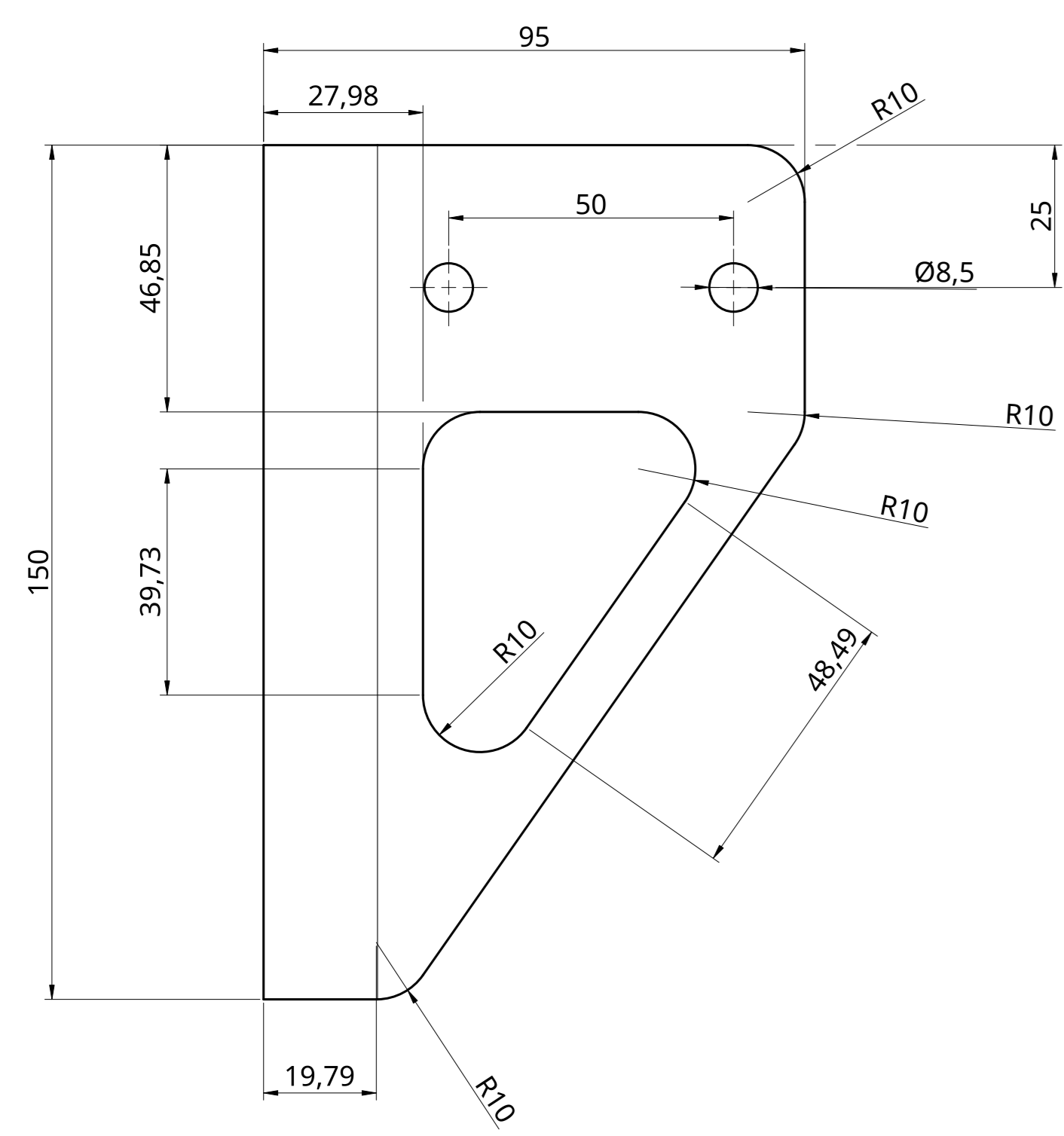


16 15 14 13 12 11 10 9 8 7 6 5 4 3 2 1

L
K
J
I
H
G
F
E
D
C
B
A

L
K
J
I
H
G
F
E
D
C
B
A



UNLESS OTHERWISE SPECIFIED, DIMENSIONS ARE IN MILLIMETERS		NAME	SIGNATURE	DATE	TITLE
ANGULAR ± 2°	DRAWN	ALAN BARR		2024-10-08	
SURFACE FINISH	CHECKED				NT Celerity Mounting Bracket Agro*
DO NOT SCALE DRAWING	APPROVED				
BREAK ALL SHARP EDGES AND REMOVE BURRS					
FIRST ANGLE PROJECTION	MATERIAL	FINISH		SIZE	DWG. NO.
	Aluminium			A0	1
		SCALE	1:1	WEIGHT	SHEET
					1 of 1

16 15 14 13 12 11 10 9 8 7 6 5 4 3 2 1