

The logo for Truck-Lite, featuring the brand name in a bold, white, sans-serif font. The letter 'L' in 'Lite' is stylized with a red circular dot above it. A registered trademark symbol (®) is located at the top right of the 'e' in 'Lite'.

Truck-Lite®

See & Be Seen®

Product Catalogue:

Lighting & Harnessing

Issue 8

www.truck-lite.eu.com



Global leader in
commercial vehicle
lighting

The vision systems experts

Truck-Lite Europe Ltd is a global leader in the design and manufacturing of vision systems servicing the Automotive and Commercial Vehicle Industry.



Under the brand names Truck-Lite, Rubbolite, Signal-Stat and Rigid we have become a fore runner in LED and incandescent lighting technology, mirror manufacturing and trailer assemblies. Servicing the truck, trailer and off highway sectors as well the independent aftermarket Truck-Lite has an extensive portfolio of OEM customers and over 90 years of experience in an ever changing and evolving marketplace.

Truck | Trailer | Off Highway | Aftermarket

Our wide product range comprises various commercial vehicle lighting, mirror systems, vehicle acoustics, harness systems and connectors. Our range of components for the independent aftermarket is adapted, developed and manufactured according to OEM standard of the commercial vehicle industry.

With 12 sites worldwide we are able to support customers regardless of their location.



Saline, Michigan



Falconer, New York
McElhattan, Pennsylvania
Wellsboro, Pennsylvania
Coudersport, Pennsylvania

Puebla, Mexico

Sao Paulo, Brazil



Phoenix, Arizona



Birmingham, England
Harlow, England



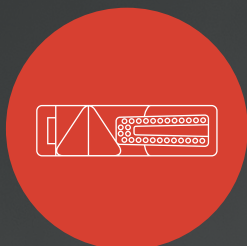
Dongguen, China



Brisbane, Australia

Contents

11



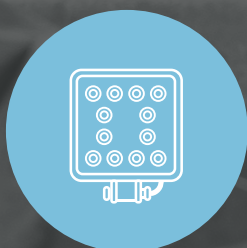
Rear Lamps

49



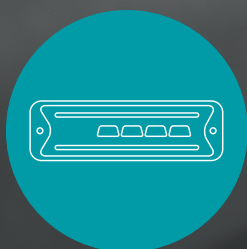
Stalk Lamps & Signal Lamps

89



Work Lamps & Headlamps

99



Interior Lamps

107



Warning Lamps

117



Numberplate Lamps & Holders

123



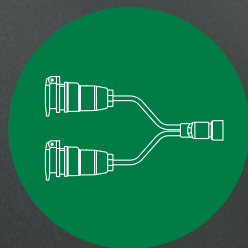
Reflectors

129



Junction Boxes

137



Harnesses & Connectors

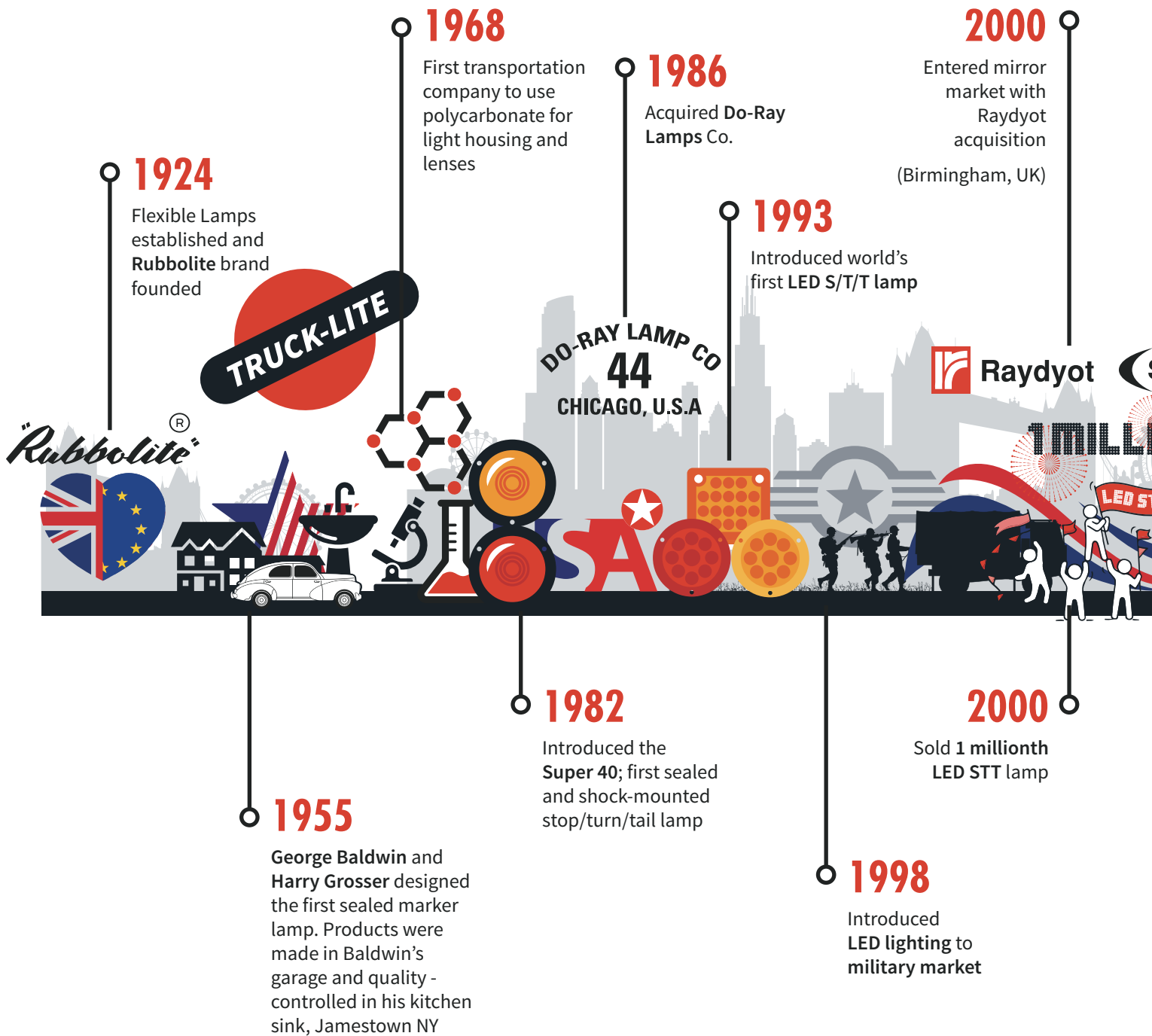
160



Index & Reference Guide

INNOVATION: 200+ PATENTS WORLDWIDE

90 Years Experience



2002

Signal-Stat acquisition established after-market business with NAPA

2007

Awarded 3-year contract with U.S. Army for LED headlamps

2010

Introduced world's first DOT compliant 7" round LED headlamp

2005

Sold 5 millionth LED STT lamp

2009

Named standard on Ryder trucks

Entered fuel processor business with Davco

2011

Introduced the first LED mini marker clearance light

2012

Introduced world's first custom designed LED headlamp

Signal-Stat

DAVCO

Ryder

Rubbolite

7 INCH

90 YEARS

RIGID



2004

Acquired FER to establish European lighting manufacturing (Eisenach, Germany)

2006

Truck-Light acquires Flexible-Lamps and increases European OEM and AM lighting (Harlow, UK)

2014

90th Anniversary of Rubbolite brand

2015

Acquired Rigid Industries expanding LED lighting presence

Manufacturing & Testing Capabilities

Truck-Lite Europe manufacturing and supply footprint comprises of two modern production facilities, both based in the UK. Our persistent desire to manufacture whenever possible, add value and eliminate waste through our operation makes us a leader in our field globally; front line production operations are supported by in-house tooling design, research, development and testing.

Modern multicomponent plastic injection moulding represents the core production process across our sites, operating over one hundred injection mould machines. Our facilities are equipped with the latest digitally controlled injection moulding machines, including vertical insert loading machines, gas assisted injection moulding and two colour moulding, allowing us to be flexible on the size and types of components we can produce.

Harnesses and looms are also manufactured in the UK, an area the company has developed a high level of expertise in. Our dedicated trailer kit team have over 50 years' experience and provide bespoke harnessing solutions tailored to fit individual customer specifications. We offer one of the most comprehensive plug and play systems in the industry and our looms are wired in such a way that even if

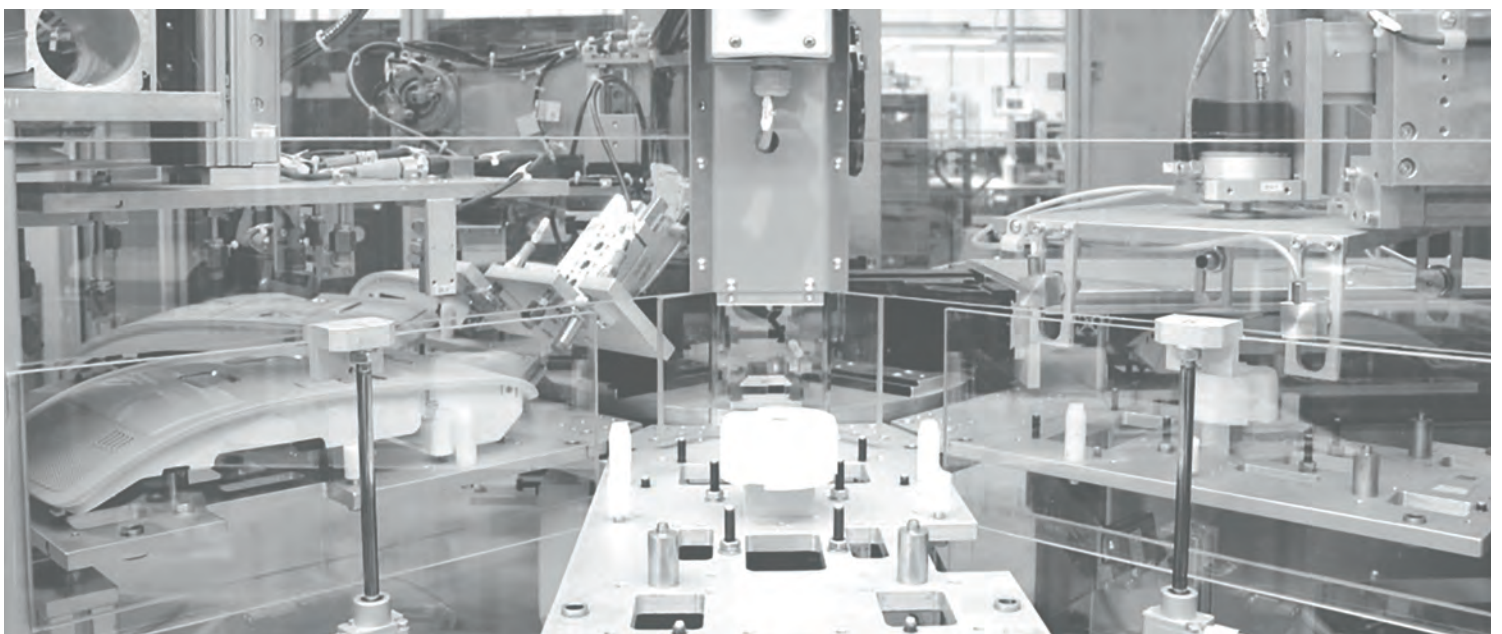
one lamp fails all remaining side markers continue to work. Our five year and lifetime warranty packages are testament to the confidence we have in the quality and durability of our harnesses.

In addition, we have extensive electronics capabilities that enable us to design and manufacture lamps to meet ECE, OE and military EMC compliance. Our team of electronics design engineers work with a range of aftermarket and OE customers to produce custom designed LED lamp diagnostics as well as some of the most innovative and robust LED driver solutions to meet specific OE customer requirements.

Our UK plant in Harlow is home to our world class laboratory and test facility where we have been validating our products for over 40 years, working directly with certification

bodies such as VCA, BSI and TUV SUD. Our in-house testing facility contains modern optical simulation software as well as a photometric laboratory to cover photometric witness approvals; we are the only test facility in the UK to which the VCA will witness tests with regards to optical regulations. The facility has capabilities for a wide range of tests, including IP (water & dust), thermal vibration, endurance and optical testing as well as corrosion and durability testing.

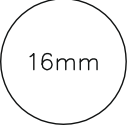
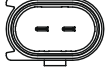
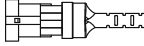
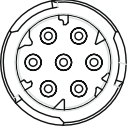
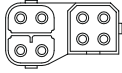

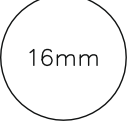

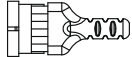
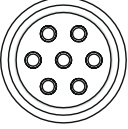
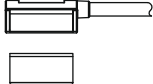
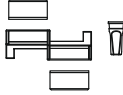
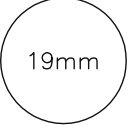


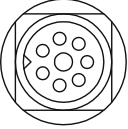
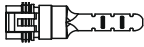





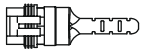

“Our world class manufacturing and testing capabilities make us a leader in our field globally.”



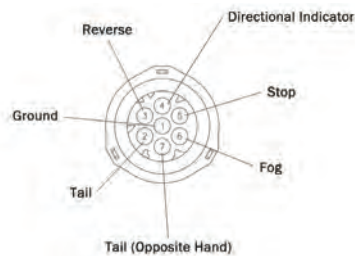


Truck-Lite Europe endeavours to be become the “Vision Systems” expert through global manufacturing, supporting our customers worldwide regardless of location.

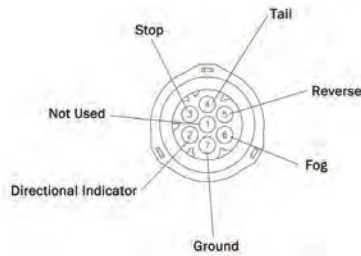
Connector Guide

	16mm Cable Entry		G & H Connector		4 Way SS Female
	DIN Connector		Volvo D Plug		6 Way SS Male
	16mm Mercedes Cable Entry		Fly Lead		6 Way SS Female
	RIST Connector		Click-in Connector		Click-in Connector Kit
	19mm Scania Cable Entry		Bullet Connector		MC Plug
	SPS Connector		3 Way SS Male		Conduit Gland
	2 Way SS Female		3 Way SS Female		Marker Clearance Plug 18 Gauge
	2 Way Deutsch		4 Way SS Male		Fit 'N Forget Adapter

EU DIN



TL DIN



Suitable for use on trailer



Suitable for use on truck & rigid



Fit 'N Forget Harness

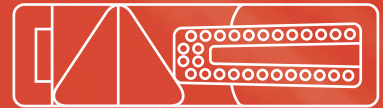


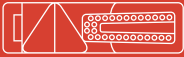
Right Angle Plug



Marker Clearance Plug 16 Gauge

Rear Lamps





M900

LED Multifunction Rear Lamp



Tail

Key Features

- In-built intelligence, the best in the market
- Homogeneous light pattern and progressive indicator, enhanced visibility and safety
- Superior quality, diecast aluminium housing and polycarbonate lens
- Multiple take-offs and easy connectivity
- Integrated take-off to flash sidemarkers

Intelligent Monitoring Overview

Function	Trailer Monitoring	LED Failure Detection
Direction Indicator	✓	✓
Stop	✓	✓
Fog	✓	
Tail	✓	



DI



Fog



Reverse



Stop



Connectors

- A. DIN connector
- B. 1x2 way SS (tail)
- C. 1x2 way SS (stop)
- D. 1x2 way SS (reverse)
- E. 1x2 way SS (flashing SM)
- F. 1x3 way SS (tail/reverse)



M900

LED Multifunction Rear Lamp



ADR



IP69k

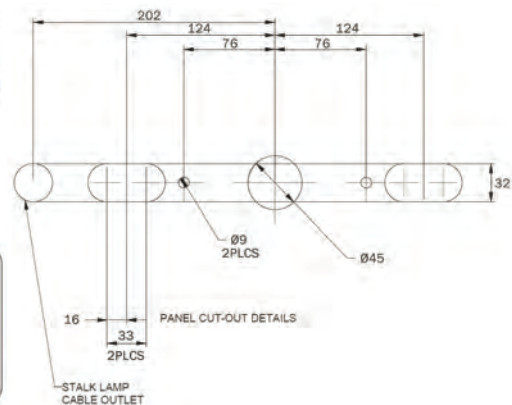
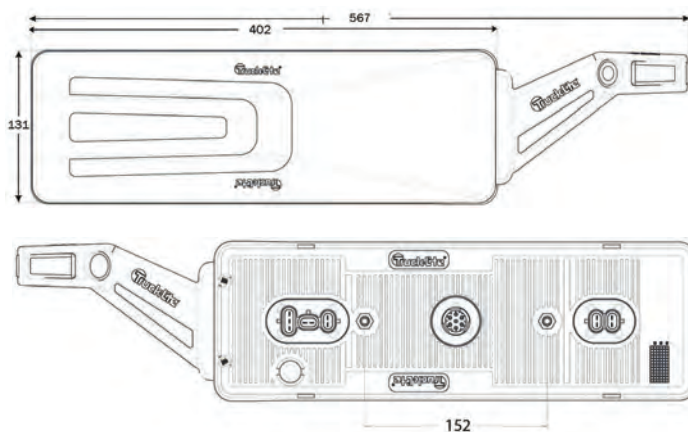


24V



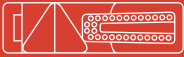
EMC

Part Number	Connector	Handed	Sidemarker	No. Plate Lamp	Mount	Description
▲ 900/01/04	TL DIN	→			↔	TL DIN/ Stop/Tail/DI/Reverse/Fog
▲ 900/01/05	TL DIN	←			↔	TL DIN/ Stop/Tail/DI/Reverse/Fog
■ 900/03/04	TL DIN	↔			↔	TL DIN/Square reflector (truck)
▲ 900/21/04	TL DIN	→	✓		↔	TL DIN/Stop/Tail/DI/Reverse/Fog/Stalk
▲ 900/21/05	TL DIN	←	✓		↔	TL DIN/Stop/Tail/DI/Reverse/Fog/Stalk
▲ 900/41/04	TL DIN	→	✓		↔	TL DIN/Stop/Tail/DI/Reverse/Fog/Stalk + Sensor
▲ 900/41/05	TL DIN	←	✓		↔	TL DIN/Stop/Tail/DI/Reverse/Fog/Stalk + Sensor
▲ 900/101/04	TL DIN	→			↔	TL DIN/ Stop/Tail/DI/Reverse/Fog (no additional connectors)
▲ 900/101/05	TL DIN	←			↔	TL DIN/ Stop/Tail/DI/Reverse/Fog (no additional connectors)
■ 900/103/04	TL DIN	↔			↔	TL DIN/Square reflector (truck) (no additional connectors)
▲ 900/51/04	EU DIN	→			↔	EU DIN/ Stop/Tail/DI/Reverse/Fog
▲ 900/51/05	EU DIN	←			↔	EU DIN/ Stop/Tail/DI/Reverse/Fog
■ 900/53/04	EU DIN	↔			↔	EU DIN/Square reflector (truck)
▲ 900/71/04	EU DIN	→	✓		↔	EU DIN/Stop/Tail/DI/Reverse/Fog/Stalk
▲ 900/71/05	EU DIN	←	✓		↔	EU DIN/Stop/Tail/DI/Reverse/Fog/Stalk
▲ 900/91/04	EU DIN	→	✓		↔	EU DIN/Stop/Tail/DI/Reverse/Fog/Stalk + Sensor
▲ 900/91/05	EU DIN	←	✓		↔	EU DIN/Stop/Tail/DI/Reverse/Fog/Stalk + Sensor
▲ 900/151/04	EU DIN	→			↔	EU DIN/ Stop/Tail/DI/Reverse/Fog (no additional connectors)
▲ 900/151/05	EU DIN	←			↔	EU DIN/ Stop/Tail/DI/Reverse/Fog (no additional connectors)
■ 900/153/04	EU DIN	↔			↔	EU DIN/Square reflector (truck) (no additional connectors)



See connector guide or page 10 for EU and TL DIN configurations

+44 (0)1279 406406



M839

Fog or Reverse Lamp

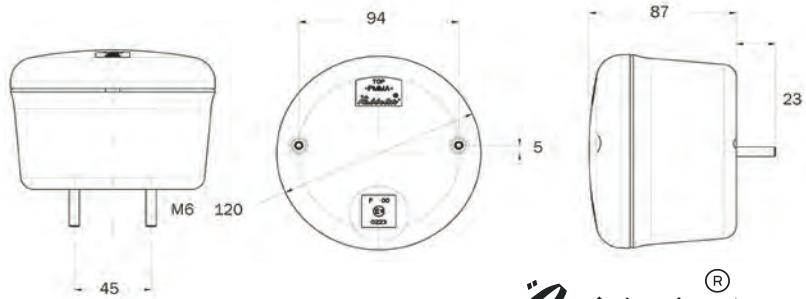
Rubbolite[®]



OE Fit: Caterpillar/Chereau

Part Number	Connector	Handed	Sidemarker	No. Plate Lamp	Mount	Description
▲ ■ 839/01/00	Cable Entry	↔				Fog
▲ ■ 839/14/00	Cable Entry	↔				Reverse

Part Number	Spares
88626A	Lens reverse dia 120mm
88627A	Lens fog dia 120mm



M838

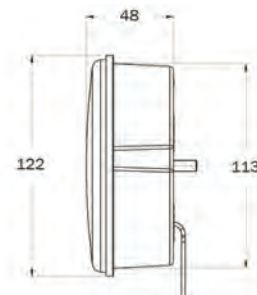
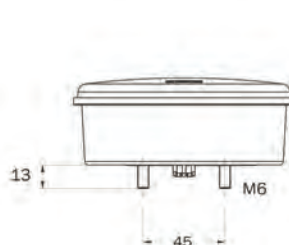
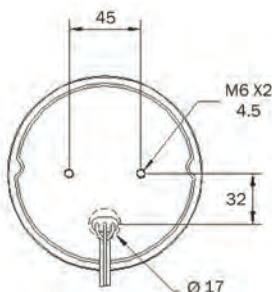
LED Multifunction Lamp

Rubbolite[®]



OE Fit: Scania Omni, Plaxtons

Part Number	Connector	Handed	Sidemarker	No. Plate Lamp	Mount	Description
▲ ■ 838/12/00	Fly lead	↔			↔	DI
▲ ■ 838/12/50	Deutsch	↔			↔	DI
▲ ■ 838/13/00	Fly lead	↔			↔	Fog
▲ ■ 838/13/50	Deutsch	↔			↔	Fog
▲ ■ 838/14/00	Fly lead	↔			↔	Reverse
▲ ■ 838/14/50	Deutsch	↔			↔	Reverse
▲ ■ 838/15/00	Fly lead	↔			↔	Stop/Tail/DI
▲ ■ 838/15/50	Deutsch	↔			↔	Stop/Tail/DI
▲ ■ 838/17/00	Fly lead	↔			↔	Fog/Reverse
▲ ■ 838/17/50	Deutsch	↔			↔	Reverse/Fog
▲ ■ 838/18/00	Fly lead	↔			↔	Stop/Tail
▲ ■ 838/18/50	Deutsch	↔			↔	Stop/Tail





M837

LED Multifunction Signal Lamp

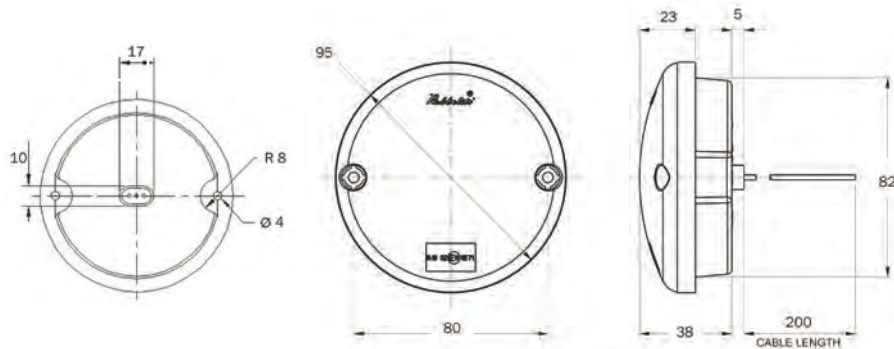
Rubbolite[®]



OE Fit: VCE

	Part Number	Connector	Handed	Sidemarker	No.Pl.plate Lamp	Mount	Description
▲ ■	837/01/12	Fly lead	↔			↔	Stop/Tail/12V
▲ ■	837/03/12	Fly lead	↔			↔	Fog/12V
▲ ■	837/04/12	Fly lead	↔			↔	Reverse/12V
▲ ■	837/11/00	Fly lead	↔			↔	Stop/Tail/12/24V
▲ ■	837/12/00	Fly lead	↔			↔	DI/12/24V
▲ ■	837/13/00	Fly lead	↔			↔	Fog/12/24V
▲ ■	837/14/00	Fly lead	↔			↔	Reverse/12/24V
▲ ■	837/15/00	Fly lead	↔			↔	Stop/Tail/DI/12/24V
▲ ■	837/16/00	Fly lead	↔			↔	Front DI/Position Side/12/24V

Part Number | Spares
171/01/00A | Reflex triangle



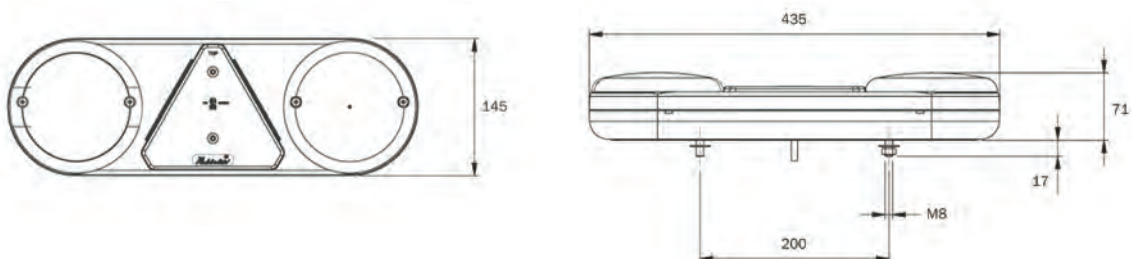
M812/813

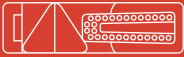
LED Hamburger Bezel Kit

Rubbolite[®]



	Part Number	Connector	Handed	Sidemarker	No.Pl.plate Lamp	Mount	Description
▲	812/53/00	Cable Entry	↔			↔	Reflector/Stop/Tail/DI/Fog
▲	812/54/00	Cable Entry	↔			↔	Reflector/Stop/Tail/DI/Reverse
▲ ■	813/56/00	Cable Entry	↔			↔ ↓	Stop/Tail/DI/Fog/Reverse





M811

Multifunction Rear Lamp

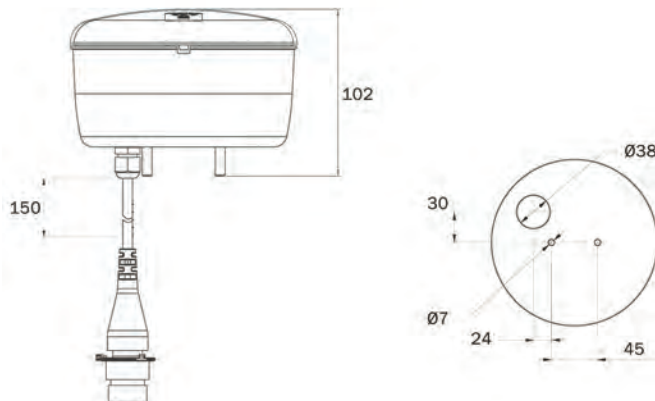
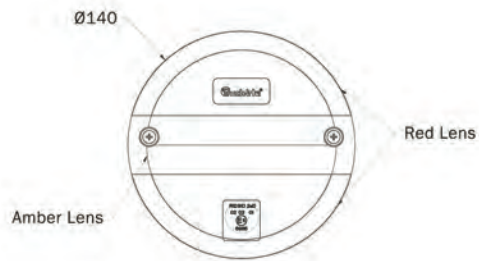
“Rubbolite”®



OE Fit: Caterpillar/Chereau/Kogel*

Part Number	Connector	Handed	Sidemarker	No.Pl. Plate Lamp	Mount	Description
▲ ■ 811/09/00	Cable Entry	↔			↔	Stop/Tail/DI
▲ ■ 811/51/02	Gland Nut + DIN	↔			↔	Stop/Tail/DI hamburger lamp*
▲ ■ 811/53/02	Gland Nut + Superseal	↔			↔	Round fog lamp*
▲ ■ 811/54/02	Gland Nut + Superseal	↔			↔	Round reverse lamp*
▲ ■ 811/71/00	Gland Nut	↔			↔	Stop/Tail/DI/ w/ gland nut
▲ ■ 811/73/00	Gland Nut	↔			↔	Fog w/ gland nut
▲ ■ 811/74/00	Gland Nut	↔			↔	Reverse w/gland nut
▲ ■ 811/81/00	Cable Entry	↔			↔	Stop/Tail/DI
▲ ■ 811/83/00	Cable Entry	↔			↔	Fog
▲ ■ 811/84/00	Cable Entry	↔			↔	Reverse
▲ ■ 811/91/00	DIN	↔			↔	Stop/Tail/DI
▲ ■ 811/93/00	DIN	↔			↔	Fog
▲ ■ 811/94/00	DIN	↔			↔	Reverse
▲ ■ 811/171/00	Double cable gland	↔			↔	Stop/Tail/DI Hamburger lamp
▲ ■ 811/173/00	Double cable gland	↔			↔	Round fog lamp
▲ ■ 811/174/00	Double cable gland	↔			↔	Round reverse lamp

Part Number	Spares
88918A	Lens Assy + Gasket





M810

LED Multifunction Rear Lamp

Rubbolite®



ADR

IP54

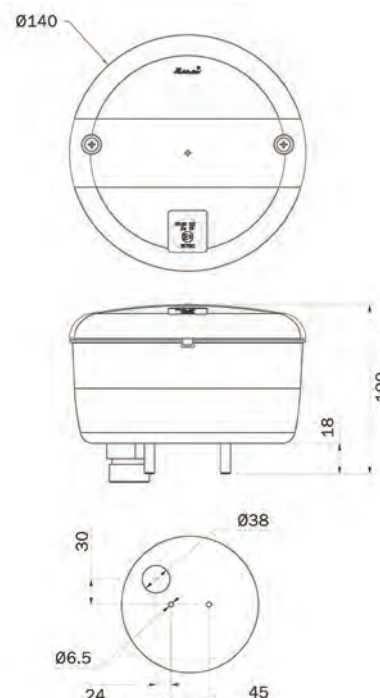
12/24V

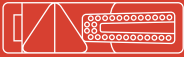
EMC

OE Fit: Kogel*

Part Number	Connector	Handed	Sidemarker	No.Pl. Plate Lamp	Mount	Description
▲ ■ 810/11/00	Cable Entry	↔			↔	Stop/Tail/DI
▲ ■ 810/51/00	Cable Entry	↔			↔	Stop/Tail/DI
▲ ■ 810/52/00	Cable Entry	↔			↔	Stop/Tail
▲ ■ 810/53/00	Cable Entry	↔			↔	Rear fog
▲ ■ 810/54/00	Cable Entry	↔			↔	Reverse
▲ ■ 810/55/00	Cable Entry	↔			↔	DI rear
▲ ■ 810/51/02	Gland Nut + DIN	↔			↔	LED Stop/Tail/DI Hamburger Lamp*
▲ ■ 810/53/02	Gland Nut + Superseal	↔			↔	LED round fog lamp*
▲ ■ 810/54/02	Gland Nut + Superseal	↔			↔	LED round reverse lamp*
▲ ■ 810/71/00	Gland Nut	↔			↔	LED Stop/Tail/DI Hamburger Lamp
▲ ■ 810/73/00	Gland Nut	↔			↔	LED round fog lamp
▲ ■ 810/74/00	Gland Nut	↔			↔	LED round reverse lamp
▲ ■ 810/81/00	Cable Entry	↔			↔	LED Stop/Tail/DI Hamburger Lamp
▲ ■ 810/83/00	Cable Entry	↔			↔	LED fog
▲ ■ 810/84/00	Cable Entry	↔			↔	LED reverse
▲ ■ 810/91/00	DIN	↔			↔	LED Stop/Tail/DI Hamburger Lamp
▲ ■ 810/93/00	DIN	↔			↔	LED fog
▲ ■ 810/94/00	DIN	↔			↔	LED reverse
▲ ■ 810/171/00	Double Cable Gland	↔			↔	LED Stop/Tail/DI Hamburger Lamp
▲ ■ 810/173/00	Double Cable Gland	↔			↔	LED round fog lamp
▲ ■ 810/174/00	Double Cable Gland	↔			↔	LED round reverse lamp

Part Number	Spares
89118	24v ballast resistor
89423	12v ballast resistor
91604	Half housing (depth)
90320	24v ballast resistor
90365	24v ballast resistor





M805

Multifunction Rear Lamp



Key Features

- Homogeneous light pattern for enhanced visibility
- LED and bulb options for different applications
- Optional in-built WABCO sensing
- 2 way superseal take-off for easy connectivity



LED no stalk



LED stalk



Bulb no stalk



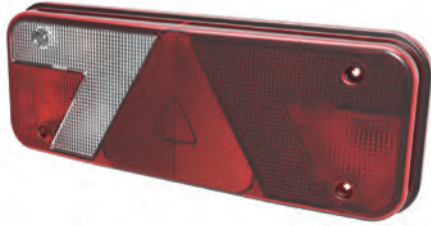
Bulb stalk





M805

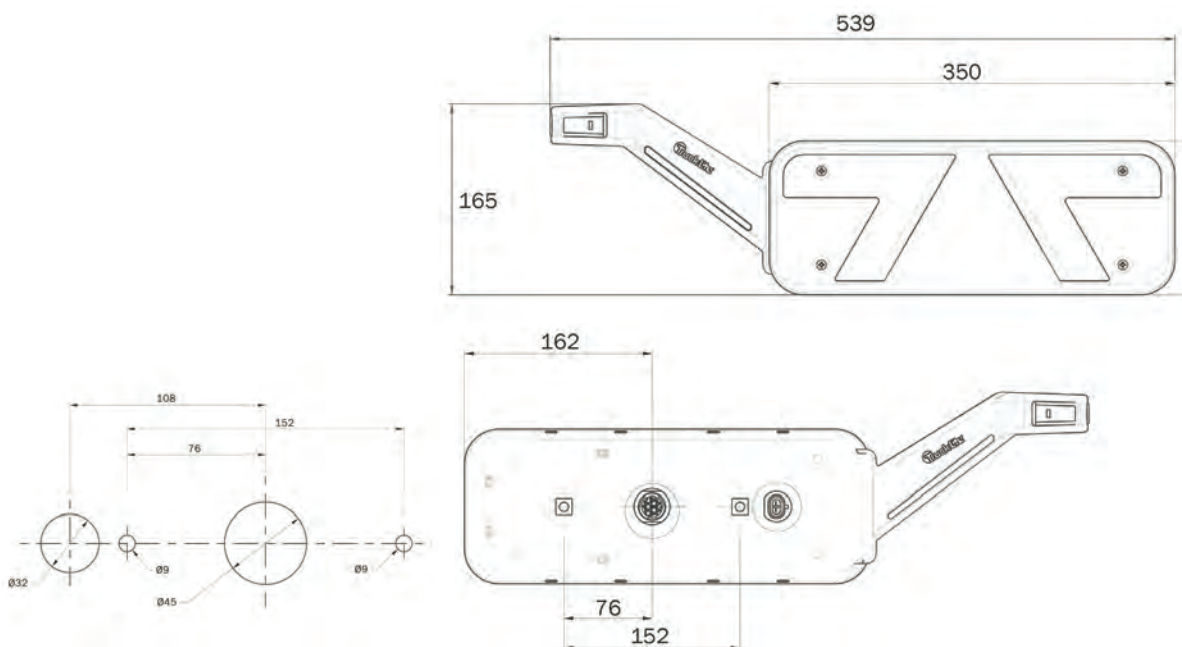
Multifunction Rear Lamp

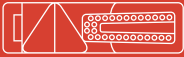


OE Fit: Kogel

Part Number	Connector	Handed	Tail Take-off	Reverse Take-off	Mount	Description
▲ 805/17/04	EU DIN	→	✓		↔	Bulb rear lamp
▲ 805/17/05	EU DIN	←		✓	↔	Bulb rear lamp
▲ 805LED/17/04	EU DIN	→	✓		↔	LED rear lamp
▲ 805LED/17/05	EU DIN	←		✓	↔	LED rear lamp
▲ 805/19/04	EU DIN	→	✓		↔	Bulb rear lamp with LED stalk lamp
▲ 805/19/05	EU DIN	←		✓	↔	Bulb rear lamp with LED stalk lamp
▲ 805LED/19/04	EU DIN	→	✓		↔	LED rear lamp with stalk
▲ 805LED/19/05	EU DIN	←		✓	↔	LED rear lamp with stalk
▲ 805LED/57/04	EU DIN	→	✓		↔	LED rear lamp with sensor
▲ 805LED/57/05	EU DIN	←		✓	↔	LED rear lamp with sensor
▲ 805LED/59/04	EU DIN	→	✓		↔	LED rear lamp with stalk and sensor
▲ 805LED/59/05	EU DIN	←		✓	↔	LED rear lamp with stalk and sensor

Part Number	Spares
95331	Right hand lens for bulb lamp
95330	Left hand lens for bulb lamp





M804

Multifunction Rear Lamp

Rubbolite[®]



OE Fit: Fliegl

Part Number	Connector	Handed	Sidemarker	No.Pl. Plate Lamp	Mount	Description
▲ 804/17/04	DIN +2x2 way SS	→			↔	Stop/Tail/DI/Fog/Reverse
▲ 804/17/05	DIN +2x2 way SS	←			↔	Stop/Tail/DI/Fog/Reverse
▲ 804/18/04	DIN +2x2 way SS	→	✓		↔	Stop/Tail/DI/Fog/Reverse/Stalk bulb
▲ 804/18/05	DIN +2x2 way SS	←	✓		↔	Stop/Tail/DI/Fog/Reverse/Stalk bulb
▲ 804/19/04	DIN +2x2 way SS	→	✓		↔	Stop/Tail/DI/Fog/Reverse/Stalk LED
▲ 804/19/05	DIN +2x2 way SS	←	✓		↔	Stop/Tail/DI/Fog/Reverse/Stalk LED
▲ 804/27/04	DIN +2x2 way SS	→			↔	Stop/Tail/DI/Fog/Reverse
▲ 804/27/05	DIN +2x2 way SS	←			↔	Stop/Tail/DI/Fog/Reverse
▲ 804/29/04	DIN +2x2 way SS	→			↔	Stop/Tail/DI/Fog/Reverse
▲ 804/29/05	DIN +2x2 way SS	←		✓	↔	Stop/Tail/DI/Reverse/Fog/NP
▲ 804/59/04	DIN +2x2 way SS	→	✓		↔	Stop/Tail/DI/Fog/Reverse/Extended stalk version
▲ 804/59/05	DIN +2x2 way SS	←	✓		↔	Stop/Tail/DI/Fog/Reverse/Extended stalk version

Part Number	Spares
92969	LED Stop/Tail pod
91925A	L/H lens
91926A	R/H lens

M802

Multifunction Rear Lamp

Rubbolite[®]



OE Fit: Chereau

Part Number	Connector	Handed	Sidemarker	No.Pl. Plate Lamp	Mount	Description
▲ 802/17/00	6-way Superseal	→			↔	Stop/Tail/DI/Reverse/Fog
▲ 802/17/01	6-way Superseal	←			↔	Stop/Tail/DI/Reverse/Fog
▲ 802/19/50	6-way Superseal	→	✓		↔	Stop/Tail/DI/Reverse/Fog
▲ 802/19/51	6-way Superseal	←	✓		↔	Stop/Tail/DI/Reverse/Fog
▲ 802H/17/00	6-way Superseal	→			↔	Stop/Tail/DI/Reverse/Fog/stalk lamp fitment
▲ 802H/17/01	6-way Superseal	←			↔	Stop/Tail/DI/Reverse/Fog/stalk lamp fitment

Part Number	Spares
89509	RH lens
89510	LH Lens



M800

Multifunction Rear Lamp

Rubbolite®

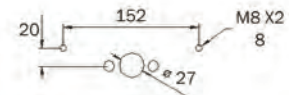
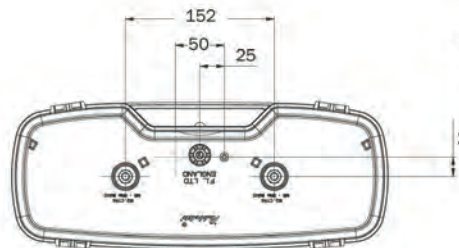
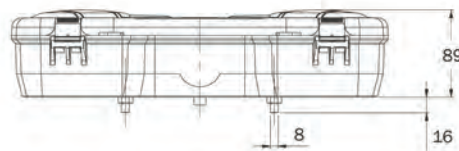
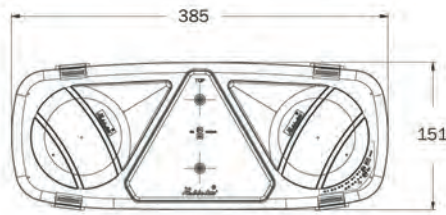


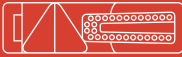
OE Fit: SDC/Montracron/G&A/Don-Bur

Part Number	Connector	Handed	Sidemarker	No. Plate Lamp	Mount	Description
▲ 800/01/00	Cable Entry	→			↔	Stop/Tail/DI/Reverse/Fog
▲ 800/01/01	Cable Entry	←			↔	Stop/Tail/DI/Reverse/Fog
▲ 800/05/00	Cable Entry	↔			↔	Stop/Tail/DI
▲ 800LED/01/00*	Cable Entry	→			↔	Stop/Tail/DI/Reverse/Fog/24V
▲ 800LED/01/01*	Cable Entry	←			↔	Stop/Tail/DI/Reverse/Fog/24V
▲ 800LED/05/00*	Cable Entry	↔			↔	Stop/Tail/DI/24V
▲ 800/51/00	DIN	→			↔	Stop/Tail/DI/Reverse/Fog
▲ 800/51/01	DIN	←			↔	Stop/Tail/DI/Reverse/Fog
▲ 800LED/51/00*	DIN	→			↔	Stop/Tail/DI/Reverse/Fog
▲ 800LED/51/01*	DIN	←			↔	Stop/Tail/DI/Reverse/Fog
▲ 800/55/00	DIN	↔			↔	Twin Stop/Tail & Twin DI

*only Stop & Tail are LED

Part Number	Spares
86246	Bezel Assy + Lens RH
86247	Bezel Assy + Lens LH
86410	Bezel Assy Lens non handed
85893A	Bezel Kit
86067	RH Lens Fog/Tail/reverse
86068	LH Lens Fog/Tail/reverse
86069	Lens Assy S/EOM/DI
85908	Bulbholder reflector
90321	Led STOP/EOM unit + Bulbed DI
171/01/00A	Reflector reflex triangle
4715	Bezel clip





M784

4 Pod LED Rear Lamp

Rubbolite[®]



ADR

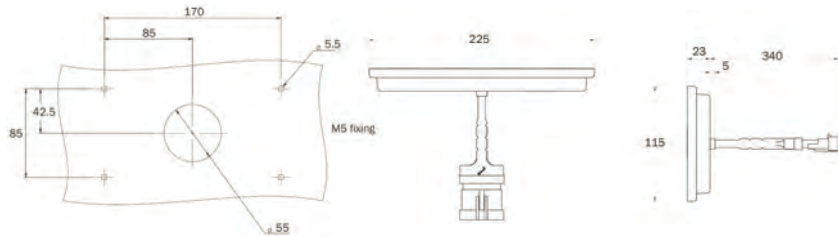
IP69

12/24V

EMC

Part Number	Connector	Handed	Sidemarker	No.Pl. Plate Lamp	Mount	Description
▲ ■ 784/01/21	6 way superseal	←			↔ ↑	Stop/Tail/Fog/Reverse/DI with reflex
▲ ■ 784/01/22	6 way superseal	→			↔ ↑	Stop/Tail/Fog/Reverse/DI with reflex
▲ ■ 784/03/20	6 way superseal	↔			↔ ↑	Stop/Tail/Reverse/DI with reflex
▲ ■ 784/05/20	6 way superseal	↔			↔ ↑	Stop/Tail/Fog/Reverse/DI
▲ ■ 784/21/21	6 way superseal	←			↔ ↑	Stop/Tail/Fog/Reverse/DI with reflex
▲ ■ 784/21/22	6 way superseal	→			↔ ↑	Stop/Tail/Fog/Reverse/DI with reflex
▲ ■ 784/22/20	6 way superseal	↔			↔ ↑	Stop/Tail/Fog/DI with reflex
▲ ■ 784/23/20	6 way superseal	↔			↔ ↑	Stop/Tail/Reverse/DI with reflex
▲ ■ 784/25/20	6 way superseal	↔			↔ ↑	Stop/Tail/Fog/Reverse/DI

Part Number	Spares
92531	Long adaptor bracket
92532	Short adaptor bracket
92587	Adaptor plate



M783

3 Pod LED Rear Lamp

Rubbolite[®]



ADR

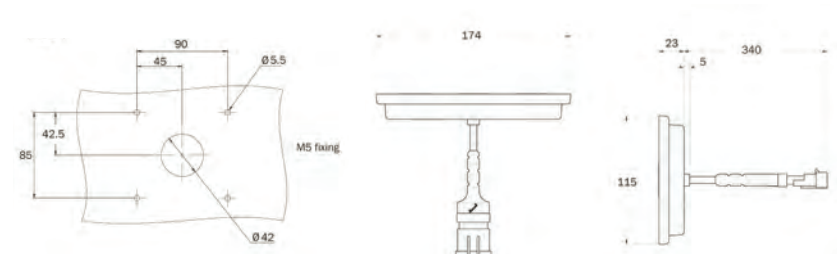
IP69

12/24V

EMC

Part Number	Connector	Handed	Sidemarker	No.Pl. Plate Lamp	Mount	Description
■ 783/01/20	4 way superseal	↔			↔ ↑	Stop/Tail/DI with reflex
■ 783/02/20	3 way superseal	↔			↔ ↑	Fog/Reverse with reflex
■ 783/21/20	4 way superseal	↔			↔ ↑	Stop/Tail/DI with reflex
■ 783/22/20	3 way superseal	↔			↔ ↑	Fog/Reverse with reflex

Part Number	Spares
92531	Long adaptor bracket
92532	Short adaptor bracket
92588	Adaptor plate





M782

2 Pod LED Rear Lamp

Rubbolite[®]



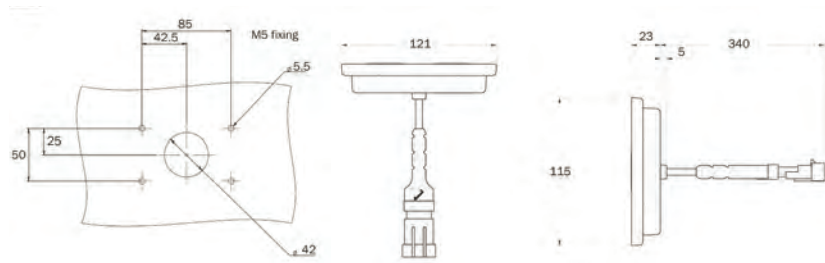
ADR

IP69

12/24V

EMC

Part Number	Connector	Handed	Sidemarker	No.Pl. Plate Lamp	Mount	Description
▲ ■ 782/01/20	3 way superseal	↔			↔ ↓	Fog/Reverse clear lens
▲ ■ 782/02/20	4 way superseal	↔			↔ ↓	Stop/Tail/DI clear lens
▲ ■ 782/21/20	3 way superseal	↔			↔ ↓	Fog/Reverse red/clear lens
▲ ■ 782/22/20	4 way superseal	↔			↔ ↓	Stop/Tail/DI red/amber lens



M780

Single Pod LED Rear Lamp

Rubbolite[®]



ADR

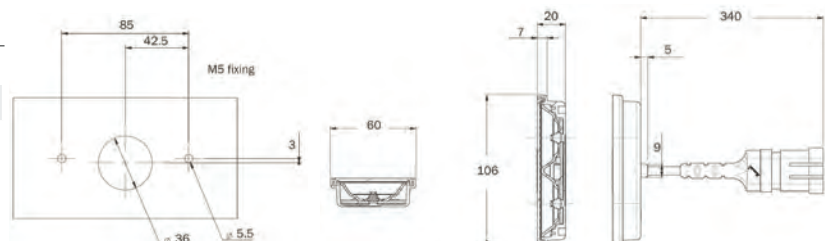
IP69

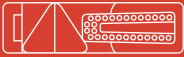
12/24V

EMC

Part Number	Connector	Handed	Sidemarker	No.Pl. Plate Lamp	Mount	Description
▲ ■ 780/01/20	4 way superseal	↔			↔ ↓	Stop/Tail/DI clear lens
▲ ■ 780/02/20	3 way superseal	↔			↔ ↓	Stop/Tail clear lens
▲ ■ 780/03/20	2 way superseal	↔			↔ ↓	DI clear lens
▲ ■ 780/04/20	2 way superseal	↔			↔ ↓	Fog clear lens
▲ ■ 780/05/20	2 way superseal	↔			↔ ↓	Reverse clear lens
▲ ■ 780/06/20	2 way superseal	↔			↔ ↓	Interior lamp
■ 780/11/00		↔			↔ ↓	Reflex red lens
▲ ■ 780/22/20	3 way superseal	↔			↔ ↓	Stop/Tail red lens
▲ ■ 780/23/20	2 way superseal	↔			↔ ↓	DI amber lens
▲ ■ 780/24/20	2 way superseal	↔			↔ ↓	Fog red lens

Part Number	Spares
92531	Long adaptor bracket
92663	Mounting bracket





M758

Multifunction LED Rear Lamp

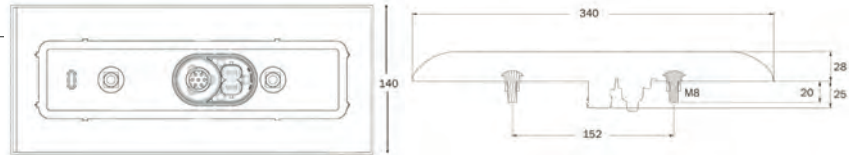
Rubbolite[®]



OE Fit: Chereau/Omar Rimorchi

Part Number	Connector	Handed	Sidemarker	No.Plate Lamp	Mount	Description
▲ 758/01/04	DIN + 2 way superseal	→			↔	Stop/Tail/DI/Reverse/Fog/12/24V
▲ 758/01/05	DIN + 2 way superseal	←			↔	Stop/Tail/DI/Reverse/Fog/12/24V
▲ 758/02/04	DIN + 2 way superseal	→			↕	Stop/Tail/DI/Reverse/Fog/12/24V
▲ 758/02/05	DIN + 2 way superseal	←			↕	Stop/Tail/DI/Reverse/Fog/12/24V
■ 758/03/04	DIN + 2 way superseal	→			↔↕	Stop/Tail/DI/Reverse/Fog/12/24V
■ 758/03/05	DIN + 2 way superseal	←			↔↕	Stop/Tail/DI/Reverse/Fog/12/24V

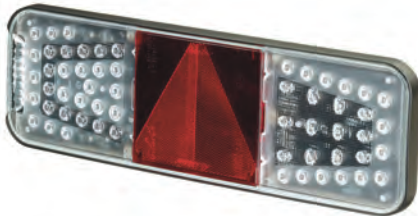
Part Number	Spares
89530	3.5m harness



M757

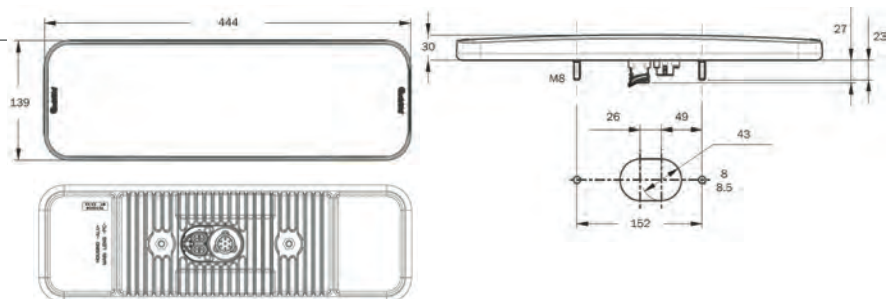
Multifunction LED Rear Lamp

Truck-Lite[®]



Part Number	Connector	Handed	Sidemarker	No.Plate Lamp	Mount	Description
▲ 757/01/04	DIN	→	✓		↔	Stop/Tail/DI/Reverse/Fog
▲ 757/01/05	DIN	←	✓		↔	Stop/Tail/DI/Reverse/Fog
▲ 757/02/04	DIN	↔	✓		↕	Stop/Tail/DI/Reverse/Fog
■ 757/03/04	DIN	↔	✓		↔↕	Stop/Tail/DI/Reverse/Fog

Part Number	Spares
89530	3.5m harness

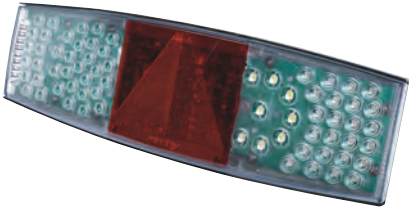




M756

Multifunction LED Rear Lamp

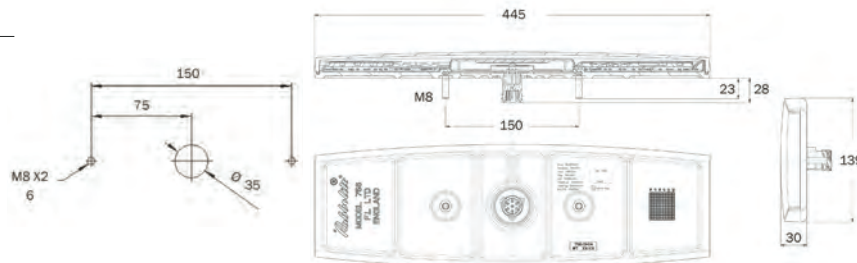
Rubbolite[®]



OE Fit: Scania

Part Number	Connector	Handed	Sidemarker	No. Plate Lamp	Mount	Description
▲ 756/01/04	DIN	→	✓		↔	Stop/Tail/DI/Reverse/Fog
▲ 756/01/05	DIN	←	✓		↔	Stop/Tail/DI/Reverse/Fog
▲ 756/02/04	DIN	↔	✓		↕	Stop/Tail/DI/Reverse/Fog
■ 756/03/04	DIN	↔	✓		↔↕	Stop/Tail/DI/Reverse/Fog

Part Number	Spares
89530	3.5m harness



M491

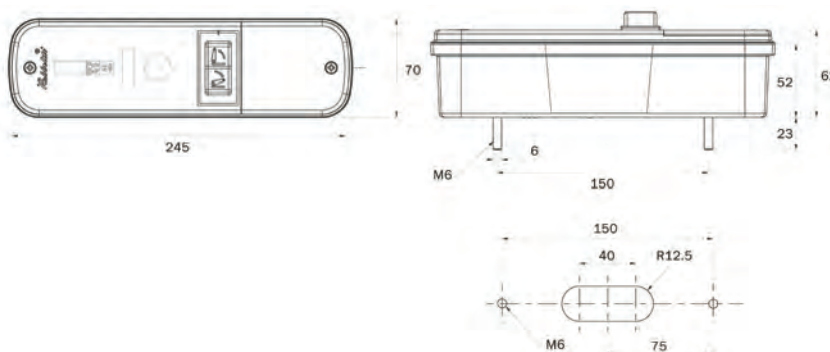
Multifunction Rear Lamp

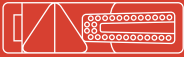
Rubbolite[®]



Part Number	Connector	Handed	Sidemarker	No. Plate Lamp	Mount	Description
■ 491/01/08	Cable Entry	↔			↔	Stop/Tail/DI
■ 491/01/09/IAM	Cable Entry	↔			↔	Stop/Tail/DI
■ 491/01/18	Grote & Hartmann	→			↔	Stop/Tail/DI
■ 491/01/19	Grote & Hartmann	←			↔	Stop/Tail/DI

Part Number	Spares
80659A	Lens with switch
80660A	Lens without switch





M490

Multifunction Rear Lamp

Rubbolite[®]

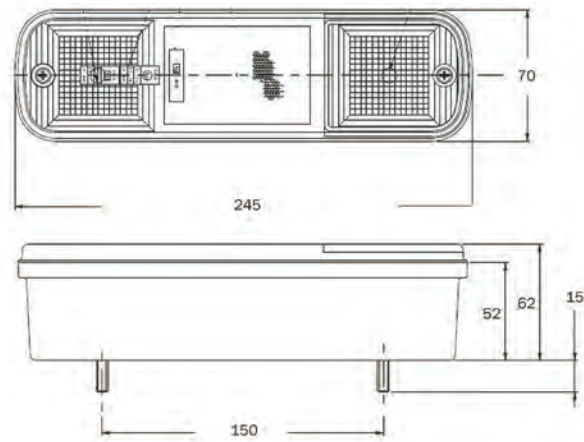


IP54

12V

Part Number	Connector	Handed	Sidemarker	No. Plate Lamp	Mount	Description
■ 490/01/00	Cable Entry	↔				Stop/Tail/DI
■ 490/01/08		↔				Stop/Tail/DI

Part Number	Spares
6955	A - Lens



M467

Multifunction Rear Lamp

Rubbolite[®]



IP54

12/24V

OE Fit: Daimler

Part Number	Connector	Handed	Sidemarker	No. Plate Lamp	Mount	Description
■ 467/15/00	Cable Entry	↔	✓			Stop/Tail/DI/Reverse/Rear sidemarker
■ 467/16/00	Cable Entry	→	✓	✓		Stop/Tail/DI/Reverse/Rear sidemarker
■ 467/16/01	Cable Entry	←	✓	✓		Stop/Tail/DI/Reverse/Rear sidemarker

Part Number	Spares
83631A	Lens Assy

Please see drawing for M466



M466

Multifunction Rear Lamp

Rubbolite®



IP54

12/24V

OE Fit: Scania

Part Number	Connector	Handed	Sidemarker	No.Pl. Lamp	Mount	Description
■ 466/01/00	Cable Entry	↔			↔	Stop/Tail/DI/Reverse
■ 466/07/00	Cable Entry	↔	✓		↔	Stop/Tail/DI/Reverse
■ 466SCE/07/20	Scania Cable Entry	↔	✓		↔	Stop/Tail/DI/Reverse
■ 466SCE/08/21	Scania Cable Entry	←	✓	✓	↔	Stop/Tail/DI/Reverse

Part Number	Spares
82552	Lampholder M466 LH NP
82553	Lampholder M466 RH NP
83585A	Lens M466 Assy RF

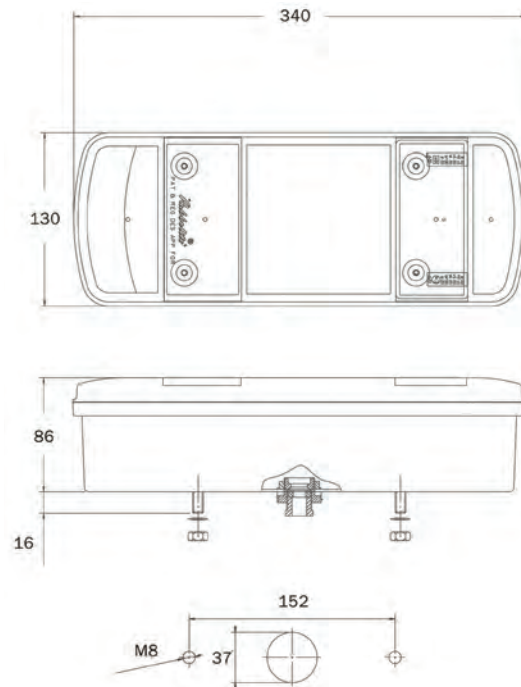
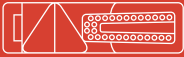


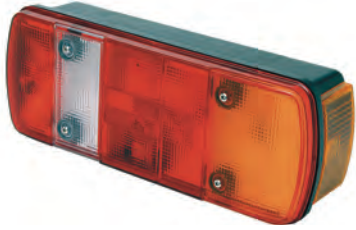
Diagram applies to lamps M467/M466



M465

Multifunction Rear Lamp

“Rubbolite”®



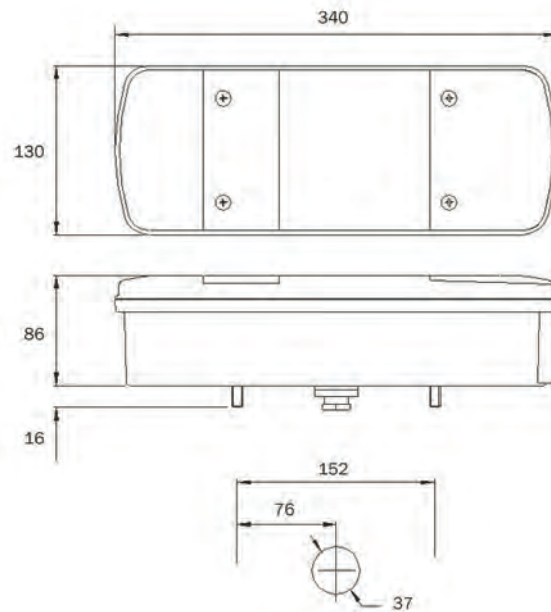
IP54

12/24V

OE Fit: MAN/Daimler

Part Number	Connector	Handed	Sidemarker	No.Plake Lamp	Mount	Description
■ 465/01/00	Cable Entry	↔			↔	Stop/Tail/DI/Reverse/Fog
■ 465/02/00	Cable Entry	↔		✓	↔	Stop/Tail/DI/Reverse/Fog
■ 465/07/00	Cable Entry	↔	✓		↔	Stop/Tail/DI/Reverse/Fog
■ 465/08/00	Cable Entry	→	✓	✓	↔	Stop/Tail/DI/Reverse/Fog
■ 465/08/01	Cable Entry	←	✓	✓	↔	Stop/Tail/DI/Reverse/Fog
■ 465DIN/11/08A	DIN	→	✓	✓	↔	Stop/Tail/DI/Reverse/Fog/24V
■ 465DIN/12/09A	DIN	←	✓	✓	↔	Stop/Tail/DI/Reverse/Fog/24V
■ 465SPS/01/00	SPS	↔			↔	Stop/Tail/DI/Reverse/Fog
■ 465SPS/02/01	SPS	↔				Stop/Tail/DI/Reverse/Fog

Part Number	Spares
597/01/10	RH Side/REOM
597/01/11	LH Side/REOM
82549	Lamp holder assy
82550	Lamp holder assy SM
82383A	Lens SM
82570A	Lens Assy RF





M463

Multifunction Rear Lamp

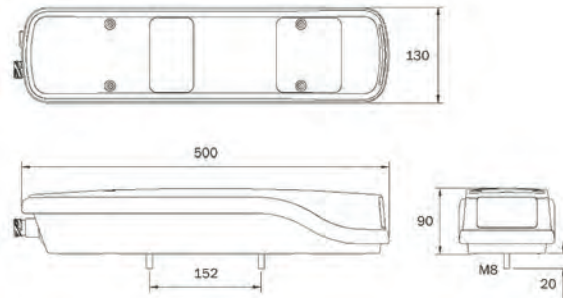
Rubbolite[®]



OE Fit: Volvo

Part Number	Connector	Handed	Sidemarker	No. Plate Lamp	Mount	Description
■ 463DIN/07/10	DIN	→			↔	Stop/Tail/DI/Reverse/Fog
■ 463DIN/07/11	DIN	←			↔	Stop/Tail/DI/Reverse/Fog
■ 463DIN/07/710	DIN	→			↔	Stop/Tail/DI/Reverse/Fog/Reverse Alarm
■ 463DIN/07/739	DIN	→			↔	Stop/Tail/DI/Reverse/Fog/Reverse Alarm
■ 463DIN/08/11	DIN	←		✓	↔	Stop/Tail/DI/Reverse/Fog

Part Number	Spares
85567	Kit Mating half DIN connector Assy
88224	Lens
700/04/24	Reverse alarm 24V
700/55/24	Reverse alarm 24V Dual DB
86242	Reverse alarm 24V Dual DB (clip fit)



M462

Multifunction Rear Lamp

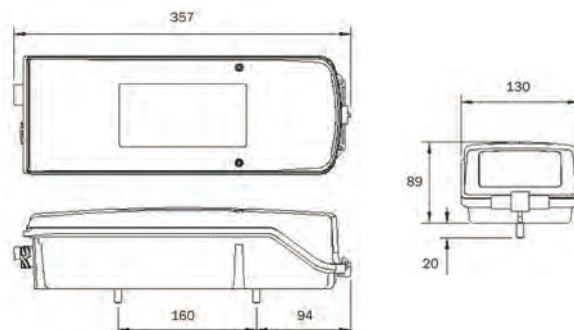
Rubbolite[®]



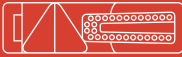
OE Fit: Volvo/Hino/GAZ

Part Number	Connector	Handed	Sidemarker	No. Plate Lamp	Mount	Description
■ 462DIN/07/10	DIN	→			↔	Stop/Tail/DI/Reverse/Fog
■ 462DIN/07/11	DIN	←			↔	Stop/Tail/DI/Reverse/Fog
■ 462DIN/07/710	DIN	→			↔	Stop/Tail/DI/Reverse/Fog/Reverse Alarm
■ 462DIN/07/726	DIN	→			↔	Stop/Tail/DI/Reverse/Fog/Reverse Alarm
■ 462DIN/08/11	DIN	←		✓	↔	Stop/Tail/DI/Reverse/Fog
■ 462DIN/08/25	DIN	←		✓	↔	Stop/Tail/DI/Reverse/Fog

Part Number	Spares
85567	Kit Mating Half DIN connector Assy
85479	Lens M462 Factors
700/04/24	Reverse alarm 24V
700/55/24	Reverse alarm 24V Dual DB
86242	Reverse alarm 24V Dual DB (clip fit)
85567	Kit M462 connector Assy



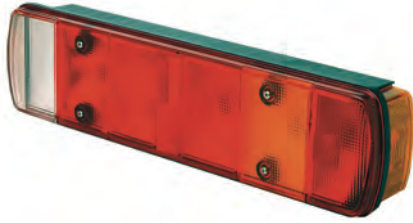
+44 (0)1279 406406



M461

Multifunction Rear Lamp

Rubbolite®



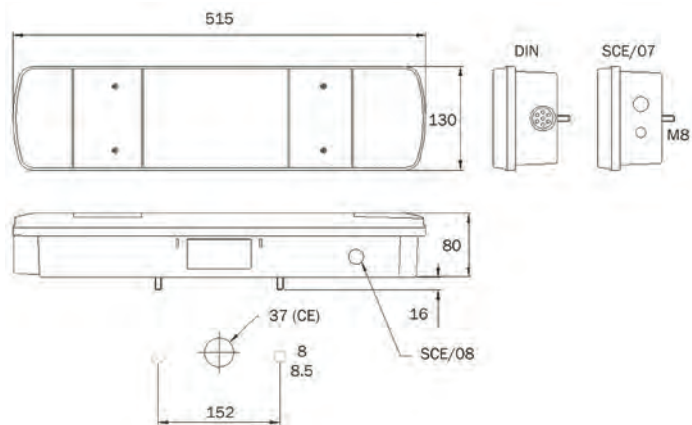
IP54

12/24V

OE Fit: Volvo/Scania

Part Number	Connector	Handed	Sidemarker	No. Plate Lamp	Mount	Description
■ 461/07/00	Cable Entry	↔	✓		↔	Stop/Tail/DI/Reverse/Fog
■ 461/08/00	Cable Entry	→	✓	✓	↔	Stop/Tail/DI/Reverse/Fog
■ 461/08/01	Cable Entry	←	✓	✓	↔	Stop/Tail/DI/Reverse/Fog
■ 461DIN/07/00	DIN	↔	✓		↔	Stop/Tail/DI/Reverse/Fog (160mm fixing kit)
■ 461DIN/07/16	DIN (old pin)	→	✓		↔	Stop/Tail/DI/Reverse/Fog
■ 461DIN/07/44	DIN (new pin)	→	✓		↔	Stop/Tail/DI/Reverse/Fog
■ 461DIN/07/716	DIN (new pin)	→	✓		↔	Stop/Tail/DI/Reverse/Fog/Reverse Alarm (sold separately)
■ 461DIN/07/730	DIN (old pin)	→	✓		↔	Stop/Tail/DI/Fog/Reverse Alarm (sold separately) (160mm fixing kit)
■ 461DIN/07/731	DIN (old pin)	←	✓		↔	Stop/Tail/DI/Fog/Reverse Alarm (sold separately) (160mm fixing kit)
■ 461DIN/07/746	DIN (new pin)	→	✓		↔	Stop/Tail/DI/Reverse/Fog/Reverse Alarm (sold separately)
■ 461DIN/08/00	DIN	→	✓	✓	↔	Stop/Tail/DI/Reverse/Fog (160mm fixing kit)
■ 461DIN/08/01	DIN	←	✓	✓	↔	Stop/Tail/DI/Reverse/Fog (160mm fixing kit)
■ 461DIN/08/17	DIN (old pin)	←	✓	✓	↔	Stop/Tail/DI/Reverse/Fog
■ 461DIN/08/47	DIN (new pin)	←	✓	✓	↔	Stop/Tail/DI/Reverse/Fog
■ 461SCE/07/20	Scania Cable Entry	→	✓		↔	Stop/Tail/DI/Reverse/Fog
■ 461SCE/07/21	Scania Cable Entry	←	✓		↔	Stop/Tail/DI/Reverse/Fog
■ 461SCE/07/730	Scania Cable Entry	→	✓		↔	Stop/Tail/DI/Reverse/Fog/Reverse Alarm (sold separately)
■ 461SCE/07/731	Scania Cable Entry	←	✓		↔	Stop/Tail/DI/Reverse/Fog/Reverse Alarm (sold separately)
■ 461SCE/08/30	Scania Cable Entry	→	✓	✓	↔	Stop/Tail/DI/Reverse/Fog
■ 461SCE/08/31	Scania Cable Entry	←	✓	✓	↔	Stop/Tail/DI/Reverse/Fog

Part Number	Spares
81621	Lampholder M360 Assy NP RH
81622	Lampholder M360 NP LH
80873A	Lens M461 Assy RF
80919A	Lens 461 SM
700/04/24	Reverse alarm 24V
700/55/24	Reverse alarm 24V Dual DB
86242	Reverse alarm 24V Dual DB (clip fit)
89228	Reverse alarm 24V Dual DB (clip fit + 3 wires)

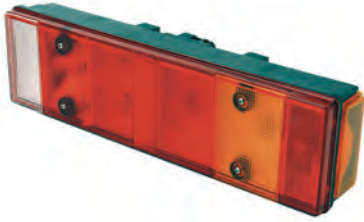




M362

Multifunction Rear Lamp

Rubbolite®



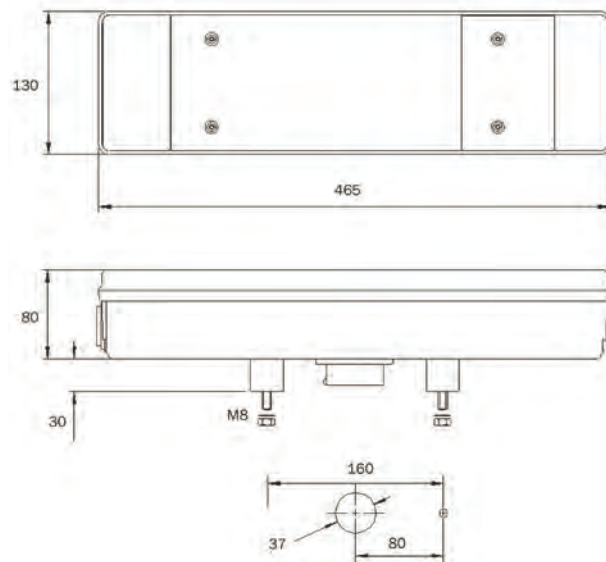
IP54

12/24V

OE Fit: Volvo

Part Number	Connector	Handed	Sidemarker	No.Pl. Lamp	Mount	Description
■ 362/08/00	Volvo D-Plug	→	✓	✓	↔	Stop/Tail/DI/Reverse/Fog
■ 362/08/01	Volvo D-Plug	←	✓	✓	↔	Stop/Tail/DI/Reverse/Fog

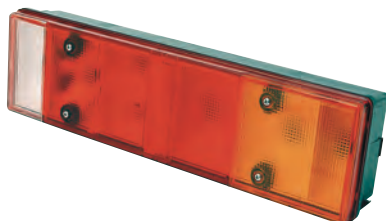
Part Number	Spares
80451	Lampholder M360
6311A	Lens M360 Reflex



M361

Multifunction Rear Lamp

Rubbolite®



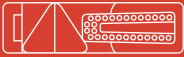
IP54

12/24V

Part Number	Connector	Handed	Sidemarker	No.Pl. Lamp	Mount	Description
■ 361/01/00	Cable Entry	↔			↔ ↑	Stop/Tail/DI/Reverse/Fog
■ 361/02/00	Cable Entry	↔		✓	↔ ↑	Stop/Tail/DI/Reverse/Fog

Part Number	Spares
7205	A - Lens M361 Reflex

For dimensions please see M360 drawing



M360

Multifunction Rear Lamp

“Rubbolite”®



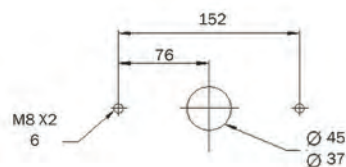
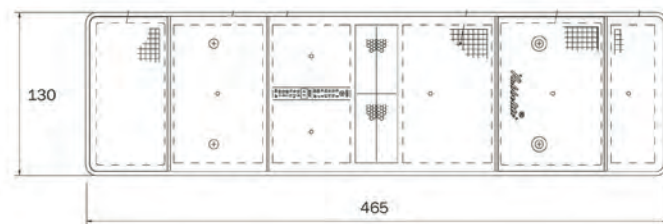
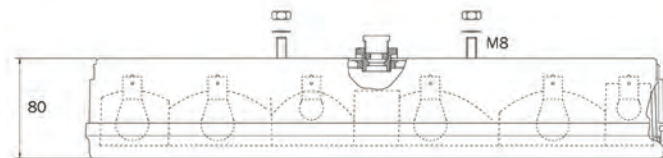
IP54

12/24V

OE Fit: Daimler/Scania

Part Number	Connector	Handed	Sidemarker	No.Pl. Plate Lamp	Mount	Description
■ 360/01/00	Cable Entry	↔			↔	Stop/Tail/DI/Reverse/Fog
■ 360/02/00	Cable Entry	↔		✓	↔	Stop/Tail/DI/Reverse/Fog
■ 360/07/00	Cable Entry	↔			↔	Stop/Tail/DI/Reverse/Fog
■ 360/08/00	Cable Entry	→			↔	Stop/Tail/DI/Reverse/Fog
■ 360/08/01	Cable Entry	←		✓	↔	Stop/Tail/DI/Reverse/Fog
■ 360DIN/08/00	DIN	→		✓	↔	Stop/Tail/DI/Reverse/Fog
■ 360DIN/08/01	DIN	←		✓	↔	Stop/Tail/DI/Reverse/Fog
■ 360MCE/08/00	MCE	→		✓	↔	Stop/Tail/DI/Reverse/Fog
■ 360MCE/08/01	MCE	←		✓	↔	Stop/Tail/DI/Reverse/Fog
■ 360SCE/08/00	Scania Cable Entry	→		✓	↔	Stop/Tail/DI/Reverse/Fog
■ 360SCE/08/01	Scania Cable Entry	←		✓	↔	Stop/Tail/DI/Reverse/Fog
■ 360SPS/01/00	SPS	→			↔	Stop/Tail/DI/Reverse/Fog
■ 360SPS/02/00	SPS	←			↔	Stop/Tail/DI/Reverse/Fog
■ 360SPS/07/00	SPS	↔			↔	Stop/Tail/DI/Reverse/Fog
■ 360SPS/08/00	SPS	→		✓	↔	Stop/Tail/DI/Reverse/Fog
■ 360SPS/08/01	SPS	←		✓	↔	Stop/Tail/DI/Reverse/Fog
■ 360SPS/08/31	SPS	→		✓	↔	Stop/Tail/DI/Reverse/Fog

Part Number	Spares
81448	Kit M360 Harness for DAF
80451	Lampholder
6311A	Lens M360 Reflex
7852A	Lens M360 SM
80857A	Lens M360 Mercedes
85369A	POD M360 LED
6574	Side Ref Assy M360
7009	Anti vibration mounting (can be used on M461/2/3)





M351

Multifunction Rear Lamp

Rubbolite®

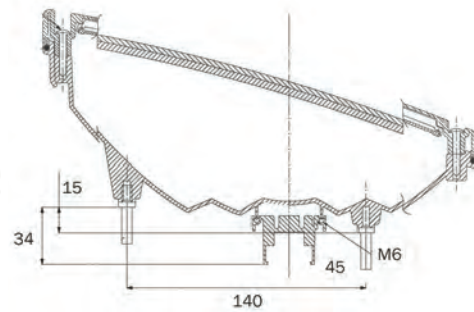
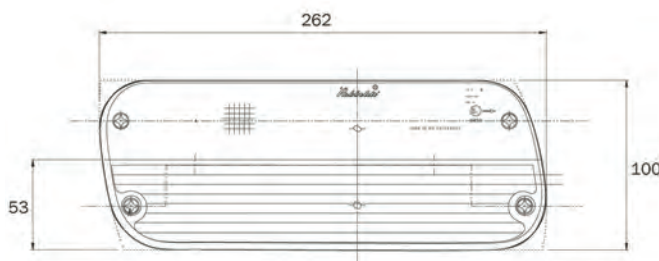


IP54

12V

OE Fit: CNH

Part Number	Connector	Handed	Sidemarker	No. Plate Lamp	Mount	Description
■ 351/03/04		←			↔	Stop/Tail/DI
■ 351/03/05		→			↔	Stop/Tail/DI



M340

Multifunction Front & Rear Lamp

Rubbolite®



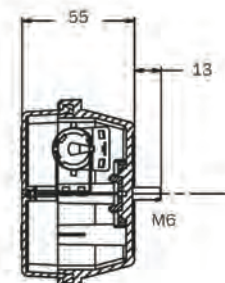
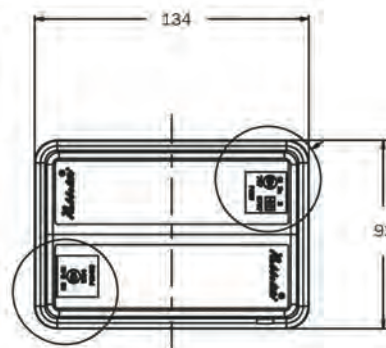
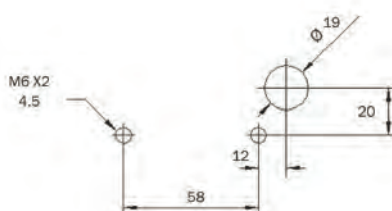
IP54

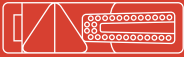
12V

OE Fit: CNH/IFW/Caterpillar

Part Number	Connector	Handed	Sidemarker	No. Plate Lamp	Mount	Description
▲ ■ 340/01/00	Cable Entry	↔			↔ ↕	Stop/Tail/DI
▲ ■ 340/08/09	Cable + conn	↔			↔ ↕	Stop/Tail/DI

Part Number	Spares
6705	L/HLDR Light Blank Assy
6268	Lens M340 Assy DI/S/T





M314

Multifunction Rear Lamp

Rubbolite[®]



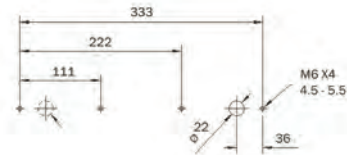
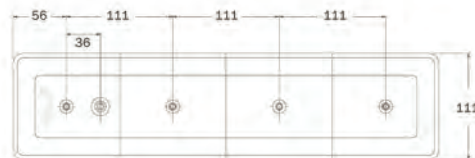
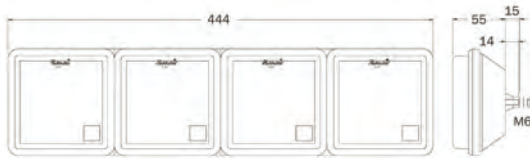
ADR

IP54

12/24V

EMC

Part Number	Connector	Handed	Sidemarkers	No. Plate Lamp	Mount	Description
▲ ■ 314/01/00	Cable Entry	↔			↔ ↓	Twin Tail/Stop/Reverse/Fog
▲ ■ 314LED/01/04	Cable Entry	↔			↔ ↓	LED Stop/Tail/Fog/Bulb DI/Reverse/24V
▲ ■ 314LED/01/06	Cable Entry	↔			↔ ↓	LED Stop/tail/DI/Fog/Bulb reverse/24V



M313

Multifunction Rear Lamp

Rubbolite[®]



ADR

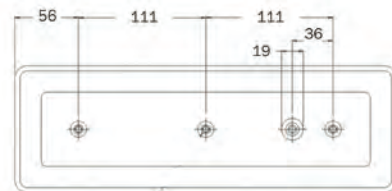
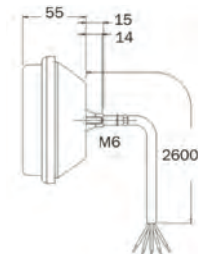
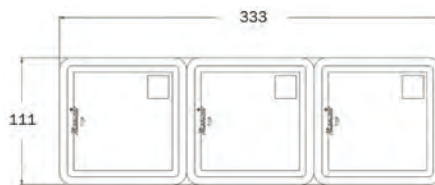
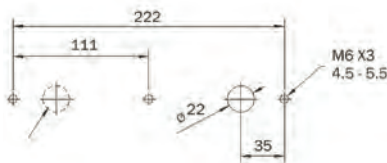
IP54

12/24V

EMC

OE Fit: Ifor Williams

Part Number	Connector	Handed	Sidemarkers	No. Plate Lamp	Mount	Description
▲ ■ 313/01/00	Cable Entry	↔			↔ ↓	Stop/Tail/DI/Fog
▲ ■ 313/02/00	Cable Entry	↔			↔ ↓	Stop/Tail/DI/Reverse
▲ ■ 313/03/00	Cable Entry	↔			↔ ↓	Twin Tail/Stop/DI/Fog
▲ ■ 313/04/00	Cable Entry	↔			↔ ↓	Twin Tail/Stop/DI/Reverse
▲ ■ 313LED/01/04	Cable Entry	↔			↔ ↓	LED Stop/Tail/Fog/Bulb DI/24V
▲ ■ 313LED/01/06	Cable Entry	↔			↔ ↓	LED Stop/Tail/DI/Fog/24V
▲ ■ 313LED/02/04	Cable Entry	↔			↔ ↓	LED Stop/Tail/Bulb DI/Reverse/24V
▲ ■ 313LED/02/06	Cable Entry	↔			↔ ↓	LED Stop/Tail/DI/Bulb reverse/24V



cl



M312

Multifunction Rear Lamp

Rubbolite®



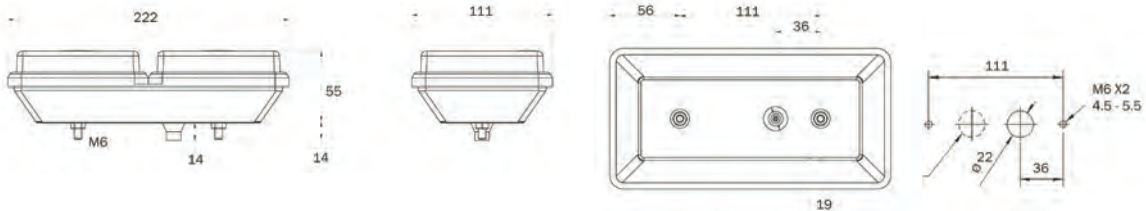
ADR

IP54

12/24V

EMC

Part Number	Connector	Handed	Sidemarker	No. Plate Lamp	Mount	Description
▲ ■ 312/01/00	Cable Entry	↔			↔ ↓	Stop/Tail/DI
▲ ■ 312/03/00	Cable Entry	↔			↔ ↓	Reverse/Fog
▲ ■ 312/04/00	Cable Entry	↔			↔ ↓	Twin Tail/Stop/DI/Reverse
▲ ■ 312LED/01/04	Cable Entry	↔			↔ ↓	LED Stop/Tail/Bulb DI/24V
▲ ■ 312LED/01/06	Cable Entry	↔			↔ ↓	LED Stop/Tail/DI/24V



M311

Rear Fog & Reverse Lamps

Rubbolite®



ADR

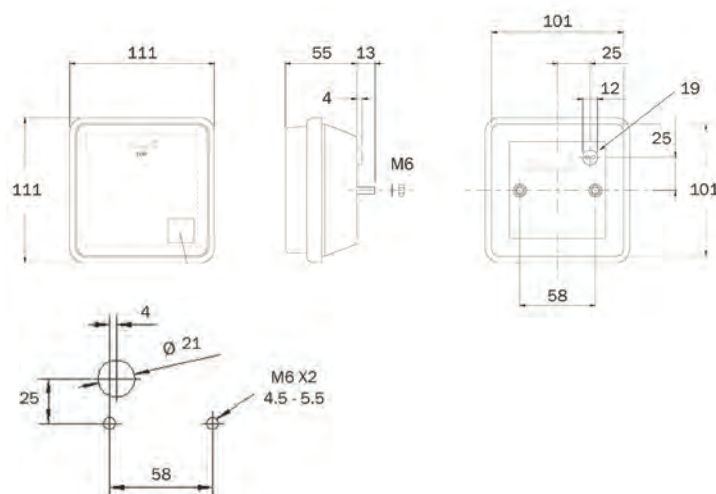
IP54

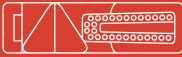
12/24V

EMC

Part Number	Connector	Handed	Sidemarker	No. Plate Lamp	Mount	Description
▲ ■ 311/01/00	Cable Entry	↔			↔ ↓	Fog lamp
▲ ■ 311LED/01/06	Cable entry	↔			↔ ↓	LED fog lamp
▲ ■ 311/14/00	Cable Entry	↔			↔ ↓	Reverse lamp

Part Number	Spares M314/313/312/311
5425	Grommet M311 cable entry
5422	Lampholder M300 Assy SP Fog/Rev
5423	Lampholder Assy SP DI
5479	Lampholder Assy SP Stop
4851	Lens DI Rear
5366	Lens Reverse
82591	Lens M313 Assy S/T/RF
3809A	Lens Fog Rear
5481A	Lens M300 S/TT
84591A	M311 LED S/T
85448A	M311 LED Fog
85454A	M311 LED DI
5420	Reflector M311 Parabolic
5430	Lampholder Assy SP - Stop/Tail M313/01





M263/M262/M261

5 chamber Multifunction Rear Lamp

“Rubbolite”®



IP54

12/24V

OE Fit: Ford, Transit

Part Number	Connector	Handed	Sidemarker	No.Pl. Plate Lamp	Mount	Description
■ 263/01/00	Cable Entry	↔			↔	Stop/Tail/DI/Reverse/Fog
■ 263/02/00	Cable Entry	←		✓	↔	Stop/Tail/DI/Reverse/Fog
■ 263/02/01	Cable Entry	←		✓	↔	Stop/Tail/DI/Reverse/Fog

Part Number	Connector	Handed	Sidemarker	No.Pl. Plate Lamp	Mount	Description
■ 262/01/00	Cable Entry	↔			↔	Stop/Tail/DI/Reverse/Fog
■ 262/02/00	Cable Entry	→		✓	↔	Stop/Tail/DI/Reverse/Fog
■ 262/02/01	Cable Entry	←		✓	↔	Stop/Tail/DI/Reverse/Fog
■ 262PS/01/00	RIST	↔			↔	Stop/Tail/DI/Reverse/Fog
■ 262PS/02/00	RIST	→		✓	↔	Stop/Tail/DI/Reverse/Fog
■ 262PS/02/01	RIST	←		✓	↔	Stop/Tail/DI/Reverse/Fog

Part Number	Connector	Handed	Sidemarker	No.Pl. Plate Lamp	Mount	Description
■ 261/01/00	Cable Entry	↔			↔	Stop/Tail/DI/Reverse/Fog

Part Number	Spares
4837A	Lampholder M261 Pack
4838A	Lens M261
4863	Lens M262 Ref
4936	Lens M262 No.PTE LH Ref
4937	Lens M262 No. PTE RH Ref
4938	Reflector M261/262

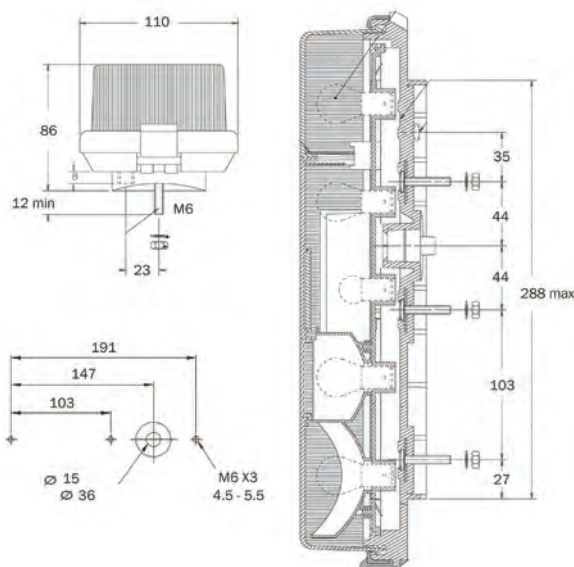


Diagram applies to lamps M261/M262

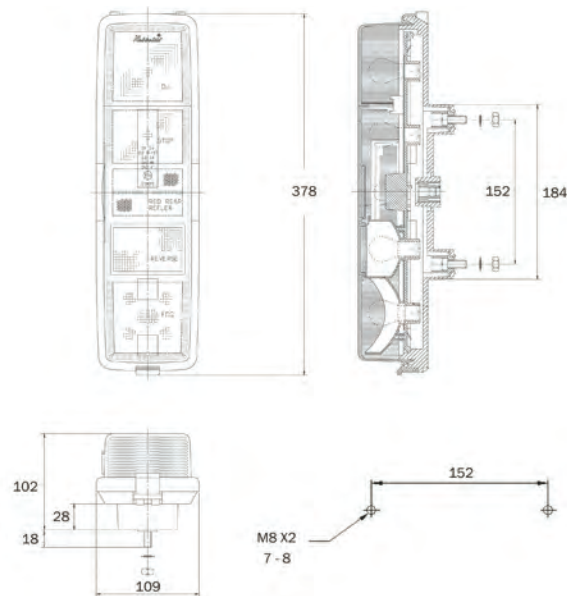


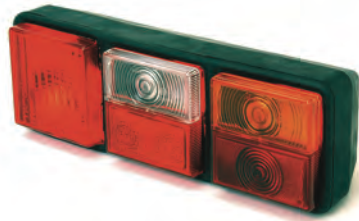
Diagram applies to lamp M263



M203

Multifunction Rear Lamp

Rubbolite®



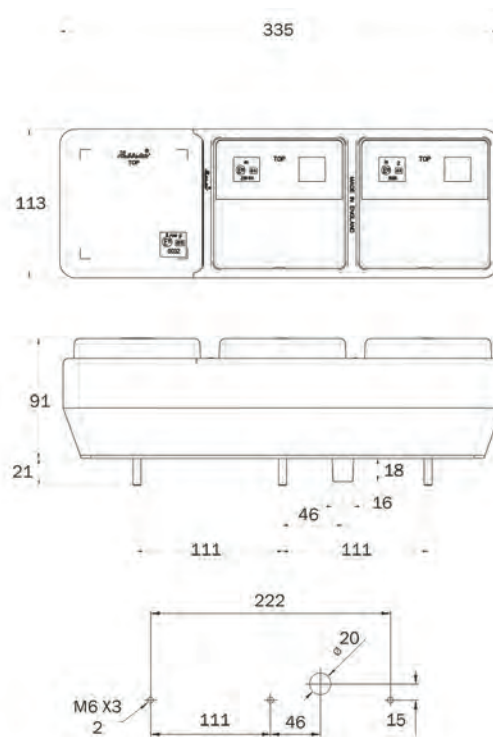
ADR

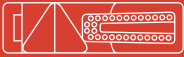
IP54

12/24V

Part Number	Connector	Handed	Sidemarker	No.Plate Lamp	Mount	Description
▲ ■ 203/02/00	Cable Entry	→			↔	Twin Tail/Stop/DI/Reverse/Fog
▲ ■ 203/02/01	Cable Entry	←			↔	Twin Tail/Stop/DI/Reverse/Fog
▲ ■ 203/06/00	Cable Entry	→			↔	Twin Tail/Stop/DI/Fog
▲ ■ 203/06/01	Cable Entry	←			↔	Twin Tail/Stop/DI/Fog
▲ ■ 203/28/00	Cable Entry	→			↔	Twin Tail/Stop/DI/Fog
▲ ■ 203/28/01	Cable Entry	←			↔	Twin Tail/Stop/DI/Fog

Part Number	Spares
3880	203/303 L/HLDR Assy S/DI
3893	203/303 L/HLDR Assy DP S/DI
3896	203/303 L/HLDR Assy DP Twin Rear Stop/Rev
3897	203/303 Lampholder Assy SP Twin Rear Stop/Rev
3900	203/303 Lampholder Assy SP twin Rear
3994	203/303 Lampholder Assy DP Twin Rear Stop/rev
5080	203 Lampholder Assy SP DI
4208	203 Lampholder incl parabolic refl SP
4215	203 Lampholder incl parabolic refl DP
4851	Lens M201 DI (Rear)
3809A	Lens M203 Fog Rear Pack
3923A	Lens M203 TT Pack
3924A	Lens M201/203 S/DI Pack
4328A	Lens M201/203 R/TT/RF Pack
5087A	Lens M203 TT/S/RF Pack





M201

Multifunction Rear Lamp

“Rubbolite”®



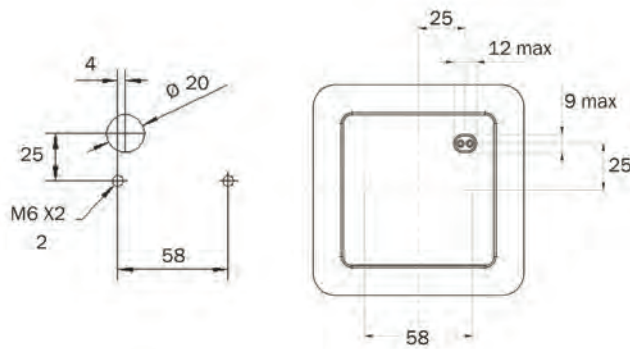
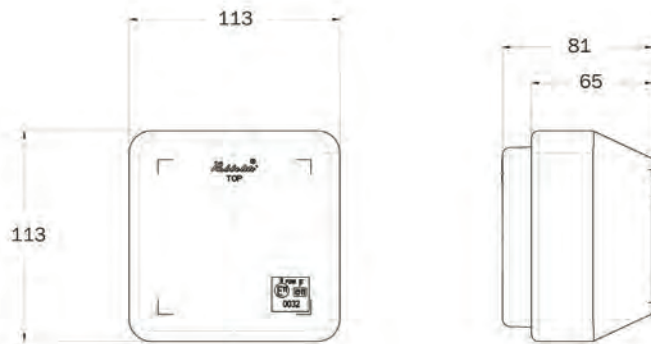
ADR

IP54

12/24V

Part Number	Connector	Handed	Sidemarker	No.Plate Lamp	Mount	Description
▲ ■ 201/01/00	Cable Entry	↔			↔ ↕	Fog lamp
▲ ■ 201/01/50	Cable Entry	↔			↔	Fog lamp, double pole
▲ ■ 201/06/00	Cable Entry	↔			↔	Stop/DI
▲ ■ 201/11/00	Cable Entry	↔			↔	Twin Tail/Reverse
▲ ■ 201/14/00	Cable Entry	↔			↔	Reverse lamp
▲ ■ 201/14/50	Cable Entry	↔			↔	Reverse lamp, double pole
▲ ■ 201/16/00	Cable Entry	↔			↔	Stop/Tail/DI

Part Number	Spares
4298	201 Lampholder Assy SP
4199	Lens M203 DI/S/T
5366	Lens M203 Reverse
3809A	Lens M203 Fog Rear Pack
4328A	Lens M201/203 R/TT/RF Pack
3896	201 Lampholder Assy DP - 201/11
3897	201 Lampholder Assy SP - 201/11
4208	201 Lampholder Assy SP - 201/01
4215	201 Lampholder Assy DP - 201/01





M88

Multifunction Rear Lamp

Rubbolite®

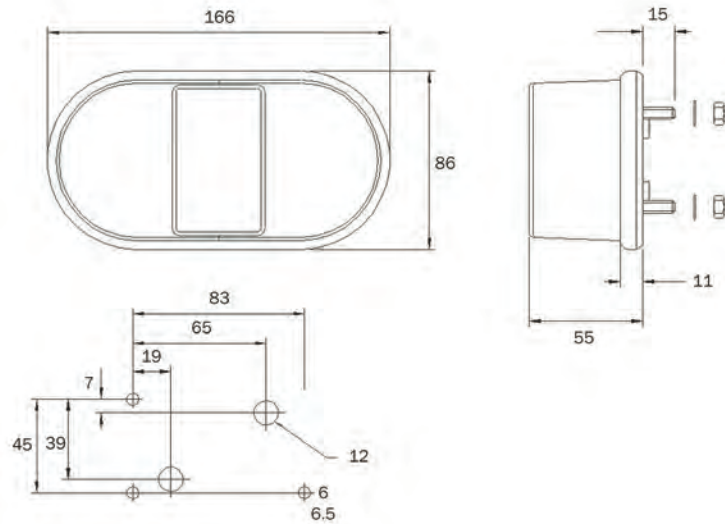


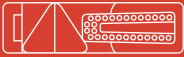
IP54

12/24V

Part Number	Connector	Handed	Sidemarker	No.Plake Lamp	Mount	Description
▲ ■ 88/01/00	Cable Entry	↔			↔	Stop/Tail/DI
▲ ■ 88/01/01	Cable Entry	↔		✓	↔	Stop/Tail/DI
▲ ■ 88/02/01	Cable Entry	↔			↔	Stop/Tail/DI

Part Number	Spares
1104	Lampholder SP
1105	Lampholder DP
1107	Lampholder Assy
3033	Lens Assy M88/02
3032A	Lens Assy M88/01





M80

Multifunction Rear Lamp

Rubbolite[®]



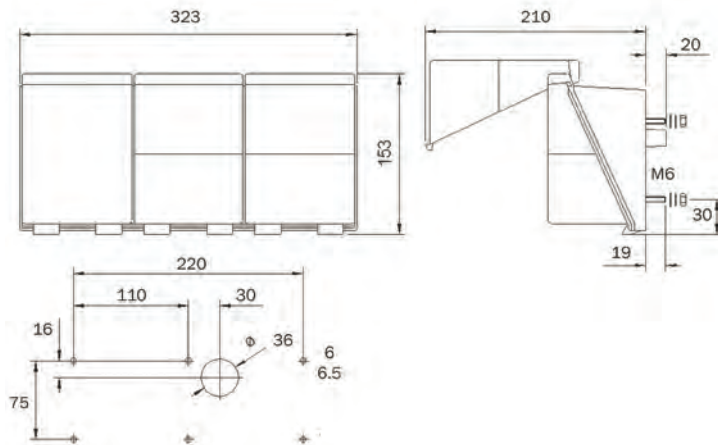
ADR

IP54

12/24V

Part Number	Connector	Handed	Sidemarker	No.Pl. Plate Lamp	Mount	Description
■ 80/21/00	Cable Entry	→		✓	↔	Twin Tail/Stop/DI/Reverse (square reflex)/Fog
■ 80/21/01	Cable Entry	←		✓	↔	Twin Tail/Stop/DI/Reverse (square reflex)/Fog
■ 80/21/50	Cable Entry	→		✓	↔	Lamp RH/DP (Fully Assembled)
■ 80/21/51	Cable Entry	←		✓	↔	Lamp LH/DP (Fully Assembled)
■ 80/22/00	Cable Entry	→			↔	Twin Tail/Stop/DI/Reverse (square reflex)/Fog
■ 80/22/01	Cable Entry	←			↔	Twin Tail/Stop/DI/Reverse (square reflex)/Fog

Part Number	Spares
3081	Lampholder M80 SP Single Cent
3082	Lampholder M80 SP Double
3087	Lampholder M80 SP Twin/Single
3179	Lampholder M80 SP Twin
3832	80 Lampholder Assy DP
3833	80/83 Lampholder Assy DP
3834	80/83 Lampholder Assy DP
3184A	Lens M80 (also PP)
3186A	Lens Assy (also PP)
3198A	Lens Assy
3225A	Lens M80 (also PP)
3227A	Lens Assy
3299A	Lens Assy
3852A	Lens Assy (also PP)
6720A	Lens M80 Asst S/T
3009A	Light Blank
3295A	Reflector M80 Para Pack
3229A	Lens Assy
3231A	Lens Assy (also PP)





M64

Multifunction Front & Rear Lamp

Rubbolite®

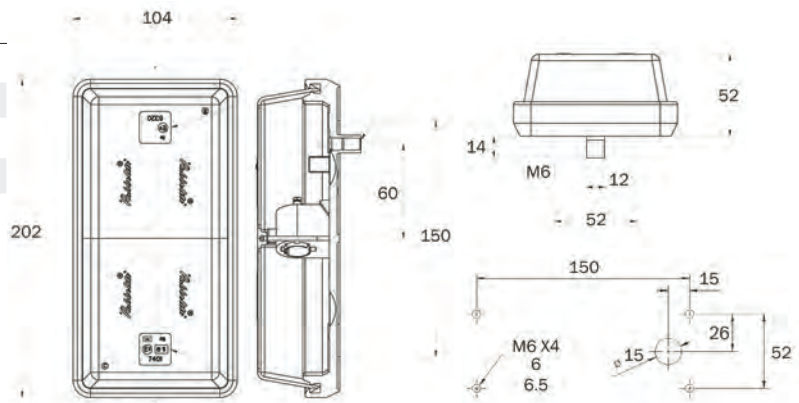


IP54

12/24V

Part Number	Connector	Handed	Sidemarker	No.Plate Lamp	Mount	Description
▲ ■ 64/01/00	Cable Entry	↔			↔	Stop/Tail/DI (double pole)
▲ ■ 64/01/11	Cable Entry	↔			↔	Stop/Tail/DI
▲ ■ 64/02/00	Cable Entry	↔			↔	Lamp DP/W
▲ ■ 64/02/01	Cable Entry	↔			↔	Lamp SP/W

Part Number	Spares
1104	Lampholder SP
1105	Lampholder DP
1107	Lampholder Assy
1509	64 Front Lens Assy (64/02 only)
1510A	Lens M64/01



M61

Multifunction Rear Lamp

Rubbolite®

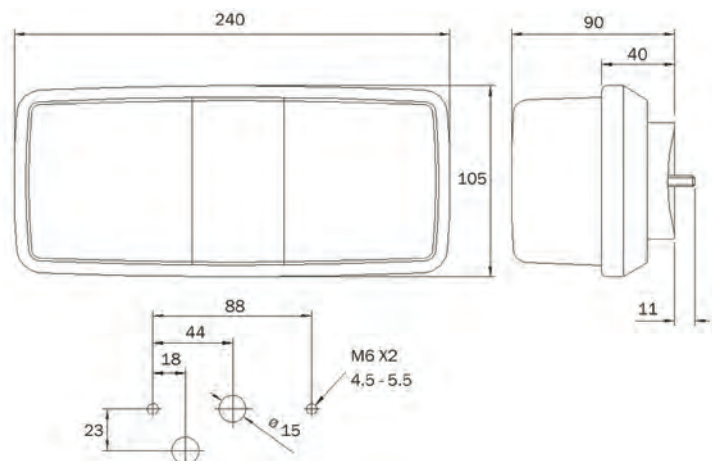


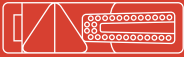
IP54

12/24V

Part Number	Connector	Handed	Sidemarker	No.Plate Lamp	Mount	Description
▲ ■ 61/60	Cable Entry	↔		✓	↔ ↑	Stop/Tail/DI

Part Number	Spares
1655	61/161 Lampholder Assy DP
1352A	Lens M61 Clear Pack
1371A	Lens M61 Pack





M38

Multifunction Rear Lamp

“Rubbolite”®



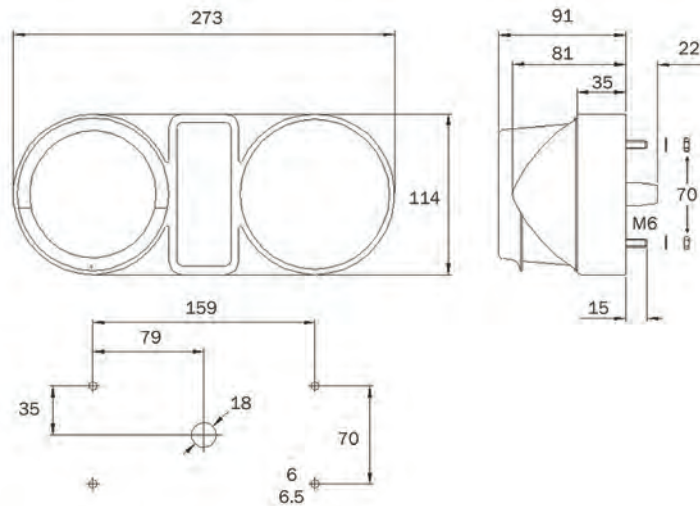
ADR

IP54

12/24V

Part Number	Connector	Handed	Sidemarker	No. Plate Lamp	Mount	Description
▲ ■ 38/01/00	Cable Entry	↔		✓	↔	Stop/Tail/DI (double pole)
▲ ■ 38/01/01	Cable Entry	↔		✓	↔	Stop/Tail/DI
▲ ■ 38/02/00	Cable Entry	↔			↔	Stop/Tail/DI (double pole)
▲ ■ 38/02/01	Cable Entry	↔			↔	Stop/Tail/DI

Part Number	Spares
1349	Lampholder M38 DP
1503	Lampholder M38 SP
1684	Lampholder M38 DP
1981	Lampholder M38 SP
2531	Lens M38/M58
1650A	Lens M38/41/58 Pack
1759A	Lens M38 Pack
1777A	Lens M38 pack
1858	Reflector M38/76/77 Red





TL/45

LED Multifunction Rear Lamp



ADR

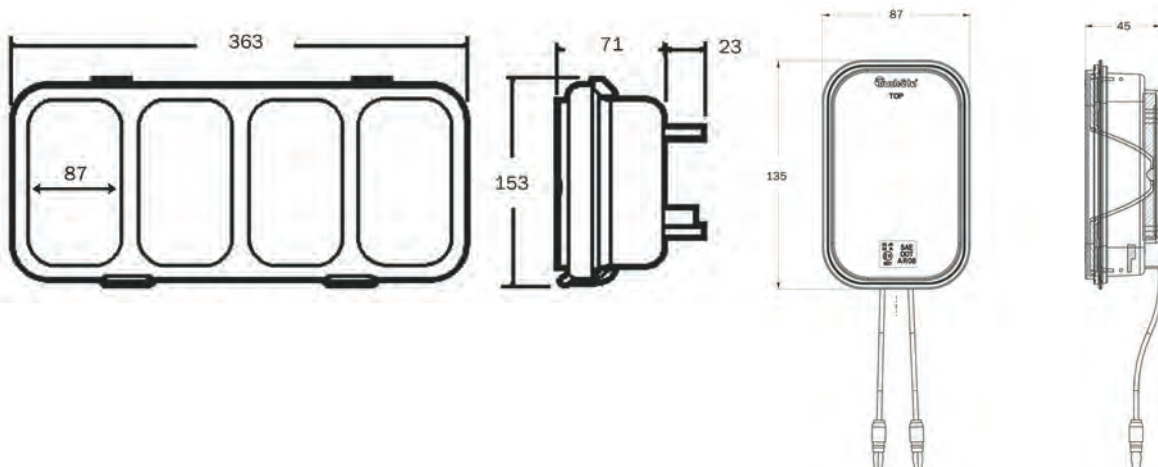
IP56

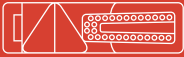
12/24V

EMC

Part Number	Connector	Handed	Sidemarkers	No. Plate Lamp	Mount	Description
▲ ■ TL/45041R-4	Bullet (US)	↔			Grommet	Fog (1pod)
▲ ■ TL/45042R-4	Bullet (US)	↔			Grommet	Stop/Tail (1pod)
▲ ■ TL/45044Y-4	Bullet (US)	↔			Grommet	DI (1pod)
▲ ■ TL/45406	Bare Ends	→				Stop/Tail/DI/Reverse (3 pod)
▲ ■ TL/45407	Bare Ends	←				Stop/Tail/DI/Reverse (3 pod)
▲ ■ TL/45420	Bare Ends	→				Stop/Tail/DI/Reverse (Bulb)/24V (3 pod)
▲ ■ TL/45421	Bare Ends	←				Stop/Tail/DI/Fog (3 pod)
▲ ■ TL/45422	Bare Ends	→				Stop/Tail/DI/Fog (3 pod)
▲ ■ TL/45423	Bare Ends	←				Stop/Tail/DI/Reverse (Bulb)/24V (3 pod)
▲ ■ TL/45614	Bare Ends	→				Stop/Tail/DI/Fog/Reverse (4 pod)
▲ ■ TL/45615	Bare Ends	←				Stop/Tail/DI/Fog/Reverse (4 pod)
▲ ■ TL/45624	Bare Ends	→				Stop/Tail/DI (4 pod)
▲ ■ TL/45625	Bare Ends	←				Stop/Tail/DI (4 pod)
▲ ■ TL/45626	Bare Ends	→				Stop/Tail/DI/Fog/Reverse (Bulb)/24V (4 pod)
▲ ■ TL/45627	Bare Ends	←				Stop/Tail/DI/Fog/Reverse (Bulb)/24V (4 pod)
▲ ■ TL/45905	Bullet (US)	↔				Reverse (1 pod)
▲ ■ TL/45906	Bullet (US)	↔			Grommet	Reverse (1 pod)
▲ ■ TL/45922R	Bullet (US)	↔				Stop/Tail/24V
▲ ■ TL/45931R	Bullet (US)	↔				Fog
▲ ■ TL/45932R	Bullet (US)	↔				Stop/Tail
▲ ■ TL/45934Y	Bullet (US)	↔				DI

Part Number	Spares
TL/45700	Brkt Flanged D MDL 45 without Flange
TL/45720	Brkt Flanged MDL 45 with Flange
TL/45721	Brkt Flat MDL 45 45721





SS/49

Multifunction LED Rear Lamp



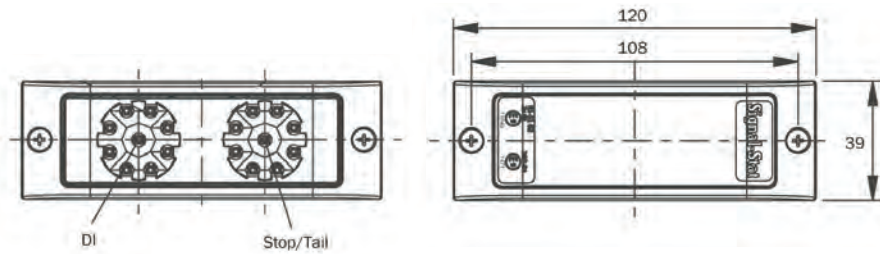
ADR

IP69

12/24V

EMC

Part Number	Connector	Handed	Sidemarker	No.Pl. Plate Lamp	Mount	Description
▲ ■ SS/49300	Fly lead	↔			↔ ↑	Stop/Tail/DI
▲ ■ SS/49330	Fly Lead	↔			↔ ↑	Fog & reverse





SS/40

Bullseye LED Rear Lamp



ADR



IP69

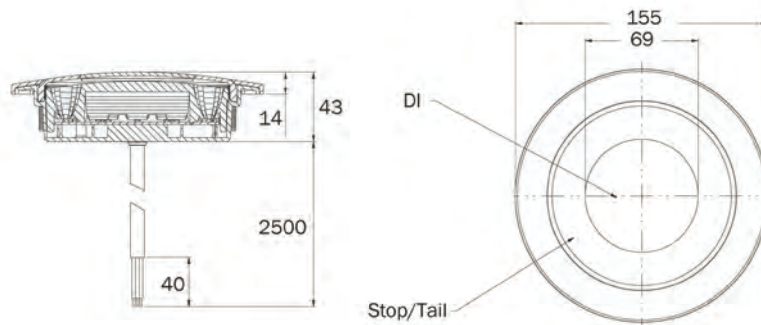


12/24V



EMC

	Part Number	Connector	Handed	Sidemarker	No.Plade Lamp	Mount	Description
▲ ■	SS/40300	Fly lead	↔				Stop/Tail/DI
▲ ■	SS/40330	Fly lead	↔				Fog/Reverse
▲ ■	SS/40340	Fly lead	↔				Fog
▲ ■	SS/40350	Fly lead	↔				Reverse



Manufacturer	Model	Year	OE Cross Reference	TL Part No.	Page No.
CHEREAU	Trailer	2009 - present	12673	120/07/40	135
CHEREAU	Trailer	2009 - present	15166	120/07/45	135
CHEREAU	Trailer	2009 - present	12680	171/01/00	125
CHEREAU	Trailer	2009 - present	14842	647/01/08	118
CHEREAU	Trailer	2009 - present	12509	694/01/10	134
CHEREAU	Trailer	2009 - present	19438	694/01/12	134
CHEREAU	Trailer	2009 - present	19439	694/01/13	134
CHEREAU	Trailer	2009 - present	15185	758/01/04	24
CHEREAU	Trailer	2009 - present	15186	758/01/05	24
CHEREAU	Trailer	2009 - present	15362	802/17/04	20
CHEREAU	Trailer	2009 - present	15361	802/17/05	20
CHEREAU	Trailer	2009 - present	14658	802/19/54	20
CHEREAU	Trailer	2009 - present	14657	802/19/55	20
CHEREAU	Trailer	2009 - present	14659	802/20/54	20
CHEREAU	Trailer	2009 - present	14660	802/20/55	20
CHEREAU	Trailer	2009 - present	15481	802/21/54	20
CHEREAU	Trailer	2009 - present	15482	802/21/55	20
CHEREAU	Trailer	2009 - present	15180	810/03/12	17
CHEREAU	Trailer	2009 - present	15181	810/03/13	17
CHEREAU	Trailer	2009 - present	15182	810/04/13	17
CHEREAU	Trailer	2009 - present	15183	810/04/14	17
CHEREAU	Trailer	2009 - present	12677	810/09/12	17
CHEREAU	Trailer	2009 - present	12678	810/09/13	17
CHEREAU	Trailer	2009 - present	12679	810/09/14	17
CHEREAU	Trailer	2009 - present	15179	810/09/15	17
CHEREAU	Trailer	2009 - present	15178	810/09/16	17
CHEREAU	Trailer	2009 - present	12674	811/09/12	16
CHEREAU	Trailer	2009 - present	12675	811/09/13	16
CHEREAU	Trailer	2009 - present	12676	811/09/14	16
CHEREAU	Trailer	2009 - present	15172	811/09/15	16
CHEREAU	Trailer	2009 - present	15171	811/09/16	16
CHEREAU	Trailer	2009 - present	12699	839/01/11	14
CHEREAU	Trailer	2009 - present	15169	839/01/12	14
CHEREAU	Trailer	2009 - present	15174	839/01/13	14
CHEREAU	Trailer	2009 - present	12670	839/14/11	14
CHEREAU	Trailer	2009 - present	15175	839/14/12	14
CHEREAU	Trailer	2009 - present	15203	839/14/13	14
CHEREAU	Trailer	2009 - present	12504	841/01/12	53
CHEREAU	Trailer	2009 - present	12503	841/01/13	53
CHEREAU	Trailer	2009 - present	12496	893/11/01	58
CHEREAU	Trailer	2009 - present	12497	893/11/02	58
CHEREAU	Trailer	2009 - present	15123	893/12/50	58
CHEREAU	Trailer	2009 - present	15421	893/13/35	58
CHEREAU	Trailer	2009 - present	12510	893/62/01	58
CHEREAU	Trailer	2009 - present	12671	893/63/01	58
CHEREAU	Trailer	2009 - present	12498	893/73/01	58
FLIEGL	Trailer	2016 - present	224025	136/01/05	120
FLIEGL	Trailer	2016 - present	224043	136/01/15	120
FLIEGL	Trailer	2016 - present	224022	804/59/04TK	20

Manufacturer	Model	Year	OE Cross Reference	TL Part No.	Page No.
FLIEGL	Trailer	2016 - present	224021	804/59/05TK	20
FLIEGL	Trailer	2016 - present	224027	881/73/10	61
FLIEGL	Trailer	2016 - present	224028	881/73/21	61
KOGEL	Trailer	2018	6612803	805/17/05	19
KOGEL	Trailer	2018	6612804	805/17/04	19
KOGEL	Trailer	2018	6612805	805LED/19/05	19
KOGEL	Trailer	2018	6612806	805LED/19/04	19
KOGEL	Trailer	2018	6612807	805LED/17/05	19
KOGEL	Trailer	2018	6612808	805LED/17/04	19
KOGEL	Trailer	2018	6612809	805LED/59/05	19
KOGEL	Trailer	2018	6612810	805LED/59/04	19
KOGEL	Trailer	2018	6612811	805LED/57/05	19
KOGEL	Trailer	2018	6612812	838/11/00	14
KOGEL	Trailer	2018	6612817	838/12/00	14
KOGEL	Trailer	2018	6612818	838/13/00	14
KOGEL	Trailer	2018	6612819	838/14/00	14
KOGEL	Trailer	2018	6612820	838/15/00	14
KOGEL	Trailer	2018	6612821	810/54/02	17
KOGEL	Trailer	2018	6612822	810/53/02	17
MAN	F 2000; F 90; L 2000; M 2000 L; M 2000 M; M 90	1994.01 -; 1986.07 - 1996.06; 1993.10 -; 1995.08 -; 1988.08 - 1996.06	81.25225-6443; 81.25225- 6444; 81.25225-6472; 81.25225-6473	360SPS/01/00	32
MAN	F 2000; F 90; L 2000; M 2000 L; M 2000 M; M 90	1994.01 -; 1986.07 - 1996.06; 1993.10 -; 1995.08 -; 1988.08 - 1996.06	81.25225-6445; 81.25225- 6471	360SPS/02/00	32
MAN	TGA; TGL; TGM; TGS; TGX;	2000.04 -; 2005.04 -; 2005.10 -; 2007.09 / 10 -; 2007.10 -	81.25225-6532	465DIN/11/08A	28
MAN	TGA; TGL; TGM; TGS; TGX;	2000.04 -; 2005.04 -; 2005.10 -; 2007.09 / 10 -; 2007.10 -	81.25225-6531	465DIN/12/09A	28
MERCEDES	SPRINTER; VARIO	1995-01 - 2000.04 & 1996.09 -	A0025445403; A0025445603; A0025447303	360MCE/08/00	32
MERCEDES	SPRINTER; VARIO	1995-01 - 2000.04 & 1996.09 -	A0025445503; A0025447203	360MCE/08/01	32
MERCEDES	ATEGO; SPRINTER; VIARO	1998.01 - 2004.10 & 1995.01 -	A0035445203; A0035445403; A0035445703; A0035445803	360SPS/08/30	32
MERCEDES	ATEGO; SPRINTER; VIARO	1998.01 - 2004.10 & 1995.01 -	A0035445303; A0035445503; A0035445603; A0035445903	360SPS/08/31	32
MERCEDES	ATEGO; ATEGO 2	1998.01 - 2004.10 & 2004.10 -	A0025446903; A0025447103	465SPS/01/00	28
MERCEDES	ATEGO; ATEGO 2	1998.01 - 2004.10 & 2004.10 -	A0025446803; A0025447003	465SPS/02/01	28
SCANIA	3 - Series 113; 3 - Series 143; 3 - Series 93; 3 - Series T	1988.05 - 1996.12; 1988.01 - 1996.12; 1988.03 - 1996.12; 1988.01 - 1996.12	1327269; 1327270	360SPS/01/00	32
SCANIA	3 - Series 113; 3 - Series 143; 3 - Series 93; 3 - Series T	1988.05 - 1996.12; 1988.01 - 1996.12; 1988.03 - 1996.12; 1988.01 - 1996.12	1327268; 1327271	360SPS/02/00	32
SCANIA	3 - Series 113; 3 - Series 143; 3 - Series 93; 3 - Series T	1988.05 - 1996.12; 1988.01 - 1996.12; 1988.03 - 1996.12; 1988.01 - 1996.12	1350335; 1350338; 1365958; 1365960	360SCE/08/01	32
SCANIA	3 - Series 113; 3 - Series 143; 3 - Series 93; 3 - Series T	1988.05 - 1996.12; 1988.01 - 1996.12; 1988.03 - 1996.12; 1988.01 - 1996.12	1350336; 1350337; 1365959; 1365961	360SCE/08/00	32
SCANIA	4 - Series 114; 4 - Series 124; 4 - Series 144; 4 - Series 164; 4 - Series 94; 4 - Series T 114; 4 - Series T 124; 4 - Series T 144; 4 - Series T 94	1996.05 -; 1996.05 -; 1995.11 -; 2000.01 -; 1996.08 -; 1996.05 -; 1995.05 -; 1995.09 -; 1996.08	1380446; 1397496; 1436849; 1436866; 1504601; 1504603	461SCE/07/20	30
SCANIA	4 - Series 114; 4 - Series 124; 4 - Series 144; 4 - Series 164; 4 - Series 94; 4 - Series T 114; 4 - Series T 124; 4 - Series T 144; 4 - Series T 94	1996.05 -; 1996.05 -; 1995.11 -; 2000.01 -; 1996.08 -; 1996.05 -; 1995.05 -; 1995.09 -; 1996.08	1346865; 1380445; 1397495; 1436848; 1504600; 1504602	461SCE/07/21	30
SCANIA	4 - Series 114; 4 - Series 124; 4 - Series 144; 4 - Series 164; 4 - Series 94; 4 - Series T 114; 4 - Series T 124; 4 - Series T 144; 4 - Series T 94; SCANIA P, G, R, T	1996.05 -; 1996.05 -; 1995.11 -; 2000.01 -; 1996.08 -; 1996.05 -; 1995.05 -; 1995.09 -; 1996.08 -; 2004.03 -;	1371974; 1371976; 1371978; 1371980; 1387877; 1414366; 1414368; 1436851; 1436854; 1436867; 1504605; 1504608; 1508178	461SCE/08/31	30

Manufacturer	Model	Year	OE Cross Reference	TL Part No.	Page No.
SCANIA	4 - Series T 124	2001.01-	1433517; 1436870; 1508176; 1508179	461SCE/07/730	30
SCANIA	4 - Series T 124	2001.01-	1433518; 1436869; 1504607; 1504610	461SCE/07/731	30
SCANIA	Series G; Series P; Series R; Series T	2004.03 -; 203.01 -; 2004.03 -; 2004.09 - 2005.10	1498103; 1501309; 1504911; 1504913	461DIN/07/16	30
SCANIA	Series G; Series P; Series R; Series T	2004.03 -; 203.01 -; 2004.03 -; 2004.09 - 2005.10	1498102; 1501308	461DIN/08/17	30
SCANIA	4 - Series 114; 4 - Series 124; 4 - Series 144; 4 - Series 164; 4 - Series 94; 4 - Series T 114; 4 - Series T 124; 4 - Series T 144; 4 - Series T 94; SCANIA P, G, R, T	1996.05 -; 1996.05 -; 1995.11 -; 2000.01 -; 1996.08 -; 1996.05 -; 1995.05 -; 1995.09 -; 1996.08 -; 2004.03 -;	1792374; 1792388	461DIN/07/44	30
SCANIA	4 - Series 114; 4 - Series 124; 4 - Series 144; 4 - Series 164; 4 - Series 94;	1996.05 -; 1996.05 -; 1995.11 -; 2000.01 -; 1996.08 -;	1792376; 1792377; 1792389	461DIN/07/746	30
SCANIA	4 - Series 114; 4 - Series 124; 4 - Series 144; 4 - Series 164; 4 - Series 94; 4 - Series T 114; 4 - Series T 124; 4 - Series T 144; 4 - Series T 94; SCANIA P, G, R, T	1996.05 -; 1996.05 -; 1995.11 -; 2000.01 -; 1996.08 -; 1996.05 -; 1995.05 -; 1995.09 -; 1996.08 -; 2004.03 -;	1792375	461DIN/08/47	30
SCANIA	4 - Series 114; 4 - Series 124; 4 - Series 144; 4 - Series 164; 4 - Series 94;	1996.05 -; 1996.05 -; 1995.11 -; 2000.01 -; 1996.08 -;	1401857; 1508184	466SCE/07/20	27
SCANIA	4 - Series 114; 4 - Series 124; 4 - Series 144; 4 - Series 164; 4 - Series 94;	1996.05 -; 1996.05 -; 1995.11 -; 2000.01 -; 1996.08 -;	1409252; 1508182	466SCE/08/21	27
SCANIA	Omni	2012.01	1769965	838/11/00	14
SCANIA	Omni	2012.01	1769963	838/12/00	14
SCANIA	Omni	2012.01	1769967	838/13/00	14
SCANIA	Omni	2012.01	1769966	838/14/00	14
SCANIA	Omni	2012.01	1853900	838/15/00	14
VOLVO	FL 10	1985.09 - 1998.09	1070086	360/07/00	32
VOLVO	FL 10	1985.09 - 1998.09	1070085	360/08/01	32
VOLVO	FH 12; FH 16; FL 10; FL 12; FM 12; FM 7; FM 9	1993.08 - 2002.12	8191744; 8191746; 8191748	362/08/00	31
VOLVO	FH 12; FH 16; FL 10; FL 12; FM 12; FM 7; FM 9	1993.08 - 2002.12	3944707; 8191743; 8191745; 8191747	362/08/01	31
VOLVO	FH 12; FH 16; FL 10; FM 12; FM 7; FM 9	1993.08 - 2005.09	3981456; 3981459; 3981461; 3981463	461DIN/07/00	30
VOLVO	FH 12; FH 16; FM 9; FM 10; FM 12	1998 - 2005; 1998 - 2006; 2001 - 2005; -; 1998 - 2005	3981457	461DIN/07/730	30
VOLVO	FH 12; FH 16; FM 9; FM 10; FM 12	1998 - 2005; 1998 - 2006; 2001 - 2005; -; 1998 - 2005	3981462; 20513088	461DIN/07/731	30
VOLVO	FH 12; FH 16; FL 10; FM 12; FM 7; FM 9	1993.08 - 2005.09	3981458; 3981464	461DIN/08/00	30
VOLVO	FH 12; FH 16; FL 10; FM 12; FM 7; FM 9	1993.08 - 2005.09	3981455; 3981460	461DIN/08/01	30
VOLVO	FH; FM; FM 12; FM 9	1998.08 - 2005.09 & 2005.09 -	20425729; 20507624	462DIN/07/10	29
VOLVO	FH; FM; FM 12; FM 9	1998.08 - 2005.09 & 2005.09 -	20425727; 20507622	462DIN/07/11	29
VOLVO	FH; FM; FM 12; FM 9	1998.08 - 2005.09 & 2005.09 -	20425730; 20507625	462DIN/07/710	29
VOLVO	FH; FM; FM 12; FM 9	1998.08 - 2005.09 & 2005.09 -	20425728; 20507623	462DIN/08/11	29
VOLVO	FH; FH 12; FH 16; FM	1993.08 -	20565106	463DIN/07/10	29
VOLVO	FH; FH 12; FH 16; FM	1993.08 -	20565105	463DIN/07/11	29
VOLVO	FM 9	2001-12 - 2009.09	20565104	463DIN/07/739	29
VOLVO	FH; FH 12; FH 16; FM;	1993.08 -	20565103	463DIN/08/11	29
VW	LT 28 - 46 II	1996.06 - 2006.07	2D0945095A; 2D0945095D	360MCE/08/01	32
VW	LT 28 - 46 II	1996.06 - 2006.07	2D0945096A; 2D0945096D	360MCE/08/00	32
VW			7J0 945 95 B	465MCE/07/08	28
VW			7J0 945 96 B	465MCE/07/10	28

Stalk Lamps & Signal Lamps





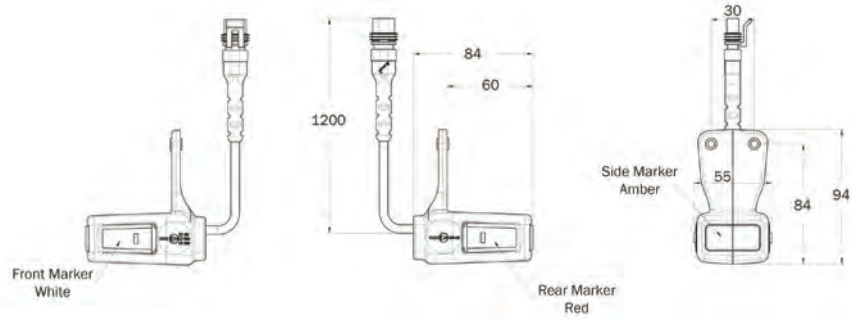
M943

LED Pendant Stalk Lamp



OE Fit: *Kogel

Part Number	Connector	Har.Length	Front	Side	Rear	Reflex	Description
943/12/04 SSF	2 way SS	1.2m	✓	✓	✓		LED pendant stalk lamp, right hand*
943/12/05 SSF	2 way SS	1.2m	✓	✓	✓		LED pendant stalk lamp, left hand*



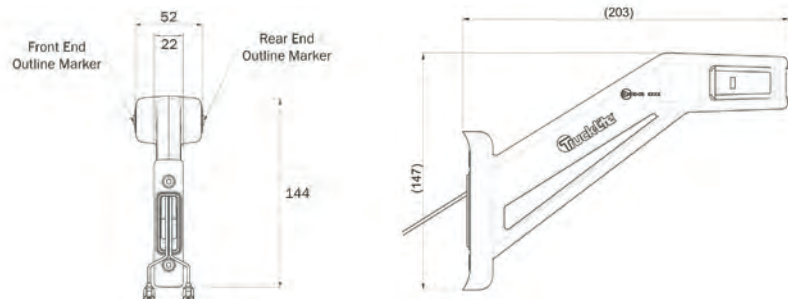
M942

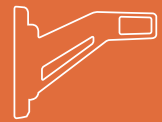
LED Stalk Lamp



OE Fit: *Kogel

Part Number	Connector	Har.Length	Front	Side	Rear	Reflex	Description
942/02/04 SSF	2 way SS	1.2m	✓	✓	✓		RH LED stalk lamp
942/02/05 SSF	2 way SS	1.2m	✓	✓	✓		LH LED stalk lamp
942/02/20 SSF	2 way SS	1.2m	✓	✓	✓		RH LED stalk lamp
942/02/21 SSF	2 way SS	1.2m	✓	✓	✓		LH LED stalk lamp





M941

LED Stalk Lamp with Proximity Sensor



ADR



IP69



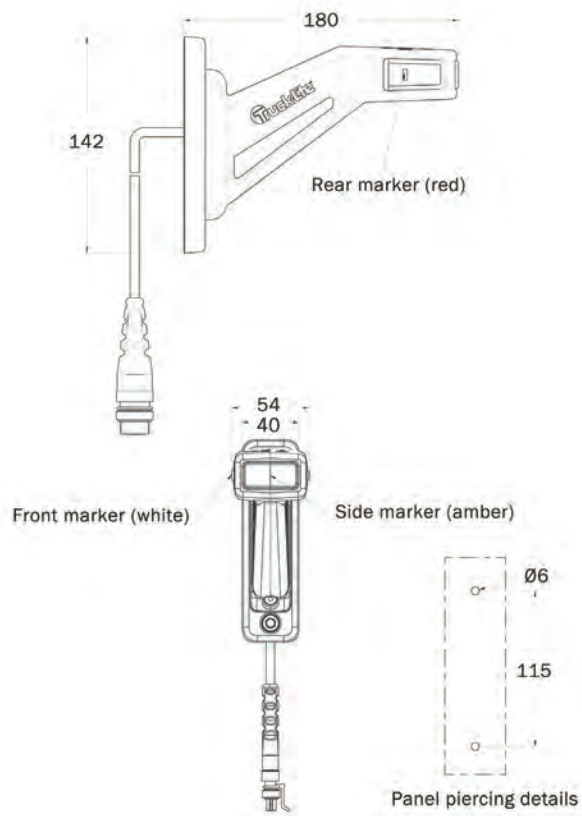
24V



EMC

OE Fit: *Kogel

Part Number	Connector	Har.Length	Front	Side	Rear	Reflex	Description
941/01/04	3-way SS	0.4m	✓	✓	✓		LH LED stalk lamp, single harness
941/01/05	3-way SS	0.4m	✓	✓	✓		RH LED stalk lamp, single harness
941PRX/01/04	X2 3-way SS	0.4m	✓	✓	✓		LH LED proximity stalk lamp
941PRX/01/05	X2 3-way SS	0.4m	✓	✓	✓		RH LED proximity stalk lamp
941/12/04	Superseal	1.2m					RH LED stalk lamp*
941/12/05	Superseal	1.2m					LH LED stalk lamp*
941//21/04		0.4m	✓	✓			LH LED stalk lamp, single harness
941/21/05		0.4m	✓	✓			RH LED stalk lamp, single harness





M846

LED Stalk Lamp

Rubbolite[®]



✓

ADR

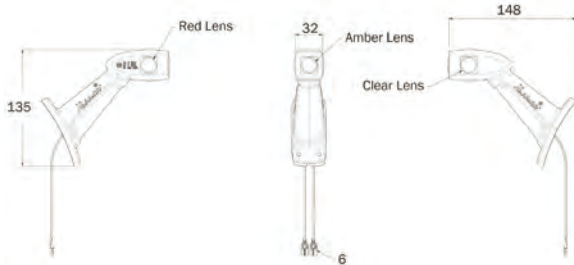
IP59

12/24V

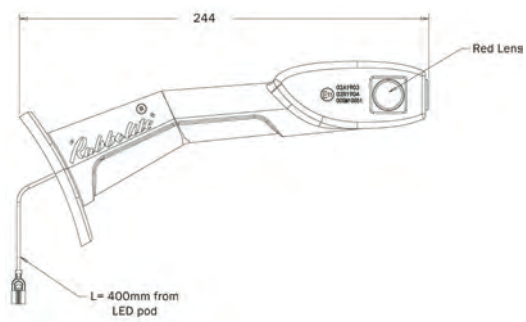
EMC

Part Number	Connector	Har.Length	Front	Side	Rear	Reflex	Description
846/01/04	Fly lead with spade connector	0.6m	✓	✓	✓		R/H stalk lamp for fitment to 804/19/04. 12/24V, LED
846/01/05	Fly lead with spade connector	0.6m	✓	✓	✓		L/H stalk lamp for fitment to 804/19/05. 12/24V, LED
846/51/04	Fly lead with spade connector	0.6m	✓	✓	✓		R/H version with extended stalk
846/51/05	Fly lead with spade connector	0.6m	✓	✓	✓		L/H version with extended stalk

Standard stalk



Extended stalk



M845

Bulbed Stalk Lamp

Rubbolite[®]



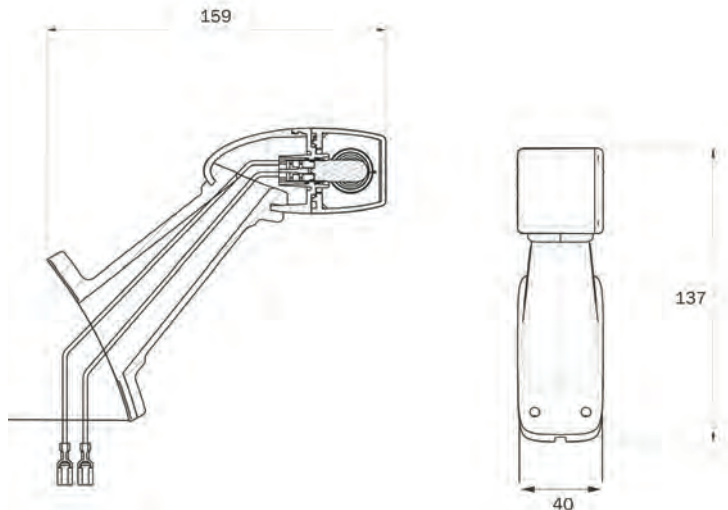
✓

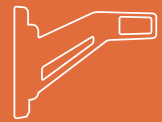
ADR

IP54

24V

Part Number	Connector	Har.Length	Front	Side	Rear	Reflex	Description
845/01/04	Fly lead with spade connector	0.6m	✓	✓	✓		R/H stalk lamp for fitment to 804/18/04, 24V, W5W
845/01/05	Fly lead with spade connector	0.6m	✓	✓	✓		L/H stalk lamp for fitment to 804/18/05, 24V, W5W





M841

Vertical Mount LED Stalk Lamp

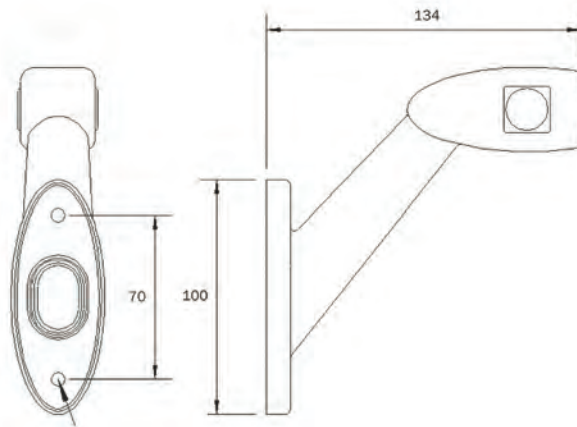
Rubbolite[®]



OE Fit: SDC, Chereau, TOS, Montracon

Part Number	Connector	Har.Length	Front	Side	Rear	Reflex	Description
841/01/04	Cable entry		✓	✓	✓		RH, LED stalk lamp, 12/24V
841/01/05	Cable entry		✓	✓	✓		LH, LED stalk lamp, 12/42V
841/01/18	Fly lead	4m	✓	✓	✓		RH, LED stalk lamp, 12/24V
841/01/19	Fly lead	4m	✓	✓	✓		LH, LED stalk lamp, 12/42V
841/03/08	Superseal		✓	✓	✓		RH, LED stalk lamp, 12/24V
841/03/09	Superseal		✓	✓	✓		LH, LED stalk lamp, 12/42V
841/61/08	Click in	0.5m	✓	✓	✓		RH, LED stalk lamp, 12/24V
841/61/09	Click in	0.5m	✓	✓	✓		LH, LED stalk lamp, 12/42V

Part Number	Spares
82714	Tyco connector kit, SSM 2 way
88402	Vertical bracket PP
88403	Horizontal bracket PP
88932	Flat horizontal bracket EPDM
88933	Vertical bracket - EPDM
88934	Flat vertical bracket EPDM
89227	Horizontal bracket M895
89294	Horizontal cranked bracket (135 degree)



M840

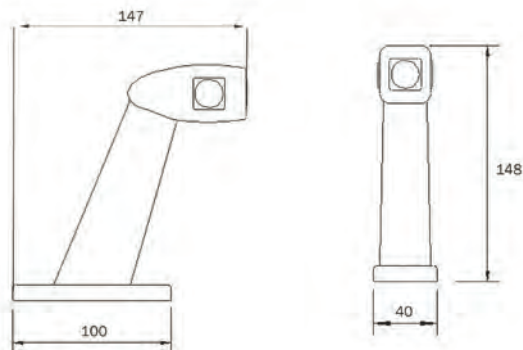
Horizontal Mount LED Stalk Lamp

Rubbolite[®]



Part Number	Connector	Har.Length	Front	Side	Rear	Reflex	Description
840/01/04	Cable entry		✓	✓	✓		RH, LED stalk lamp, 12/24V
840/01/05	Cable entry		✓	✓	✓		LH, LED stalk lamp, 12/42V

Part Number	Spares
82714	Tyco connector kit, SSM 2 way





SS/61

LED Stalk Lamp



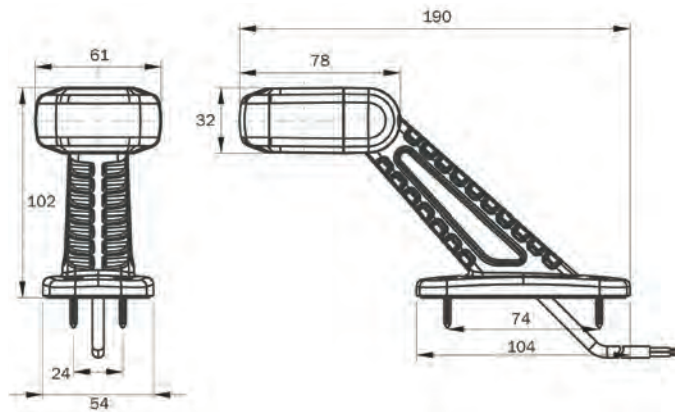
IP67

12/24V

EMC

OE Fit: Moffet Engineering

Part Number	Connector	Har.Length	Front	Side	Rear	Reflex	Description
SS/61011	Fly lead		✓	✓	✓		LH marker, horizontal mount, 12/24V
SS/61012	Fly lead		✓	✓	✓		RH marker, horizontal mount, 12/24V
SS/61021	Fly lead		✓	✓	✓		LH marker, vertical mount, 12/24V
SS/61022	Fly lead		✓	✓	✓		RH marker, vertical mount, 12/24V





M899

Front & Rear LED Marker Lamp

Rubbolite®



IP54



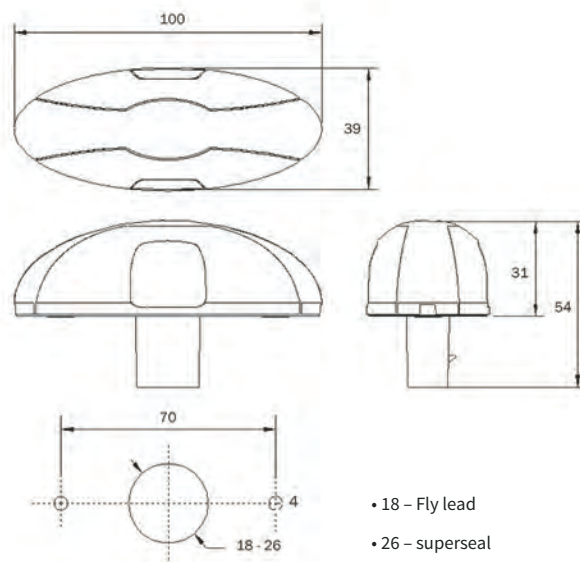
12/24V



EMC

Part Number	Connector	Har.Length	Front	Side	Rear	Reflex	Description
899B/01/00	Superseal	1m	✓		✓		Front & rear marker lamp 12/24v (black housing)
899B/05/00	Fly lead	0.5m	✓		✓		Front & rear marker lamp 12/24v (black housing)
899B/15/00	Fly lead	1.5m	✓		✓		Front & rear marker lamp 12/24v (black housing)
899W/01/00	Superseal	0.5m	✓		✓		Front & rear marker lamp 12/24v (white housing)
899W/05/00	Fly lead	0.5m	✓		✓		Front & rear marker lamp 12/24v (white housing)
899W/15/00	Fly lead	1.5m	✓		✓		Front & rear marker lamp 12/24v (white housing)

Part Number	Spares
88933	Vertical bracket EPDM
88934	Flat vertical bracket EPDM
82714	AMP connector kit SSM 2-way
88402	Vertical bracket PP
88403	Horizontal bracket PP
88932	Flat horizontal bracket EPDM
89227	Horizontal bracket M895
89294	Horizontal cranked bracket (135 degrees)





M898

Oval LED Marker Lamp

Rubbolite[®]



IP54



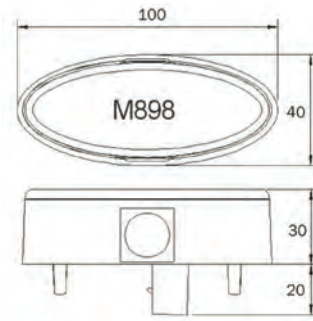
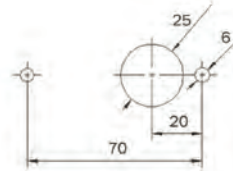
12/24V



EMC

Part Number	Connector	Har.Length	Front	Side	Rear	Reflex	Description
898/01/06	Supeseal		✓	✓	✓	✓	12/24V RH marker, peg fixing
898/01/07	Supeseal		✓	✓	✓	✓	12/24V LH marker, peg fixing

Part Number	Spares
82714	AMP connector kit SSM 2-way
88402	Vertical bracket PP
88403	Horizontal bracket PP
88933	Vertical bracket EPDM
88934	Flat vertical bracket EPDM
89294	Horizontal cranked bracket (135 degrees)



M897

Oval LED Marker Lamp

Rubbolite[®]



IP54



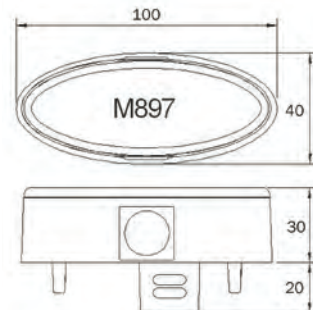
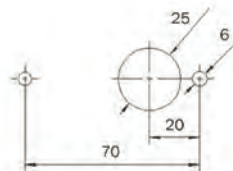
12/24V



EMC

Part Number	Connector	Har.Length	Front	Side	Rear	Reflex	Description
897/01/06	Terminal block		✓	✓	✓	✓	12/24V RH marker, peg fixing
897/01/07	Terminal block		✓	✓	✓	✓	12/24V LH marker, peg fixing

Part Number	Spares
88402	Vertical bracket PP
88933	Vertical bracket EPDM
88934	Flat vertical bracket EPDM
89294	Horizontal cranked bracket (135 degrees)





M895

Oval LED Marker Lamp

Rubbolite®



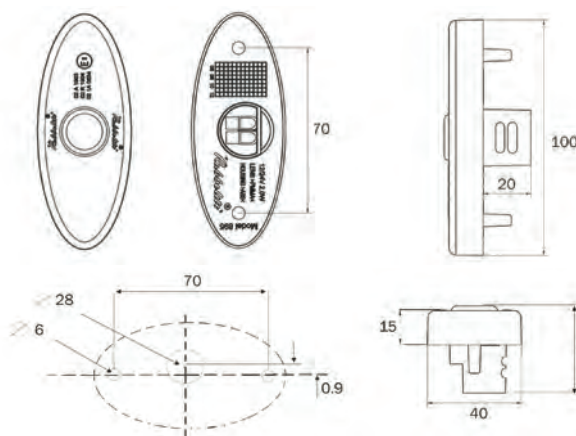
ADR

IP59

12/24V

Part Number	Connector	Har.Length	Front	Side	Rear	Reflex	Description
895/01/04	Terminal Block		✓			✓	Front marker, 12/24V, peg fixing
895/02/04	Terminal Block				✓	✓	Rear marker, 12/24V, peg fixing
895/03/04	Terminal Block			✓		✓	Side marker, 12/24V, peg fixing

Part Number	Spares
88402	Vertical bracket PP
88403	Horizontal bracket PP
88931	Horizontal bracket - EPDM
88932	Flat horizontal bracket EPDM
88933	Vertical bracket EPDM
88934	Flat vertical bracket EPDM
89227	Horizontal bracket M895
89294	Horizontal cranked bracket (135 degrees)
90373	Horizontal bracket clip fit



M894

Oval LED Marker Lamp

Rubbolite®



ADR

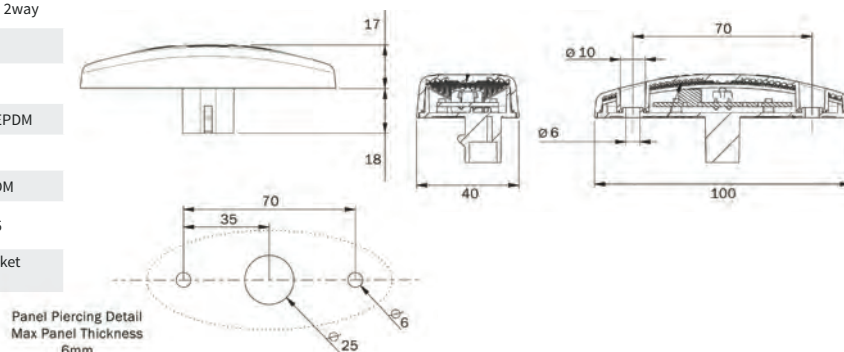
IP59

12/24V

EMC

Part Number	Connector	Har.Length	Front	Side	Rear	Reflex	Description
894/11/00	Superseal		✓			✓	12/24 front marker, screw fixing
894/12/00	Superseal				✓	✓	12/24 rear marker, screw fixing
894/13/00	Superseal			✓		✓	12/24V side marker, screw fixing
894/50/01	Superseal x2		✓			✓	12/24V front marker, peg fixing
894/50/02	Superseal x2				✓	✓	12/24V rear marker, peg fixing
894/50/03	Superseal x2			✓		✓	12/24V side marker, peg fixing

Part Number	Spares
82714	AMP connector kit - SSM 2way
88402	Vertical bracket PP
88403	Horizontal bracket PP
88932	Flat horizontal bracket EPDM
88933	Vertical bracket EPDM
88934	Flat vertical bracket EPDM
89227	Horizontal bracket M895
89294	Horizontal cranked bracket (135 degrees)



+44 (0)1279 406406



M893

Oval LED Marker Lamp

Rubbolite®



ADR

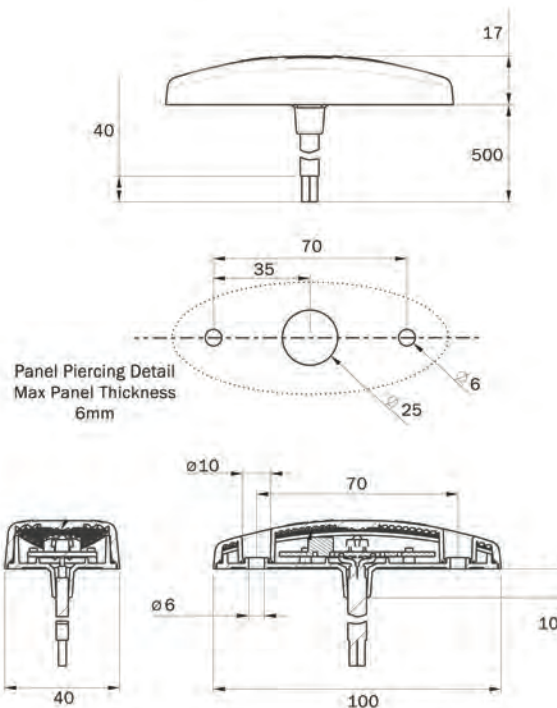
IP59

12/24V

EMC

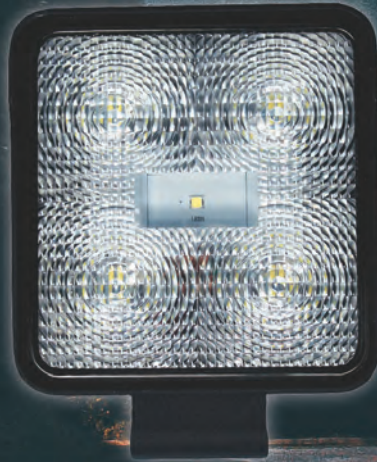
Part Number	Connector	Har.Length	Front	Side	Rear	Reflex	Description
893/11/05	Fly lead	0.5m	✓			✓	Front marker lamp, white lens, 12/24V, screw fixing
893/11/15	Fly lead	1.5m	✓			✓	Front marker lamp, white lens, 12/24V, screw fixing
893/11/35	Fly lead	3.5m	✓			✓	Front marker lamp, white lens, 12/24V, screw fixing
893/11/50	Fly lead	5m	✓			✓	Front marker lamp, white lens, 12/24V, screw fixing
893/12/05	Fly lead	0.5m			✓	✓	Rear marker lamp, red lens, 12/24V, screw fixing
893/12/35	Fly lead	3.5m			✓	✓	Rear marker lamp, red lens, 12/24V, screw fixing
893/12/50	Fly lead	5m			✓	✓	Rear marker lamp, red lens, 12/24V, screw fixing
893/13/05	Fly lead	0.5m		✓		✓	Side marker lamp, amber lens, 12/24V, screw fixing
893/61/05	Click in	0.5m	✓			✓	Front marker lamp, white lens, 12/24V, screw fixing
893/61/15	Click in	1.5m	✓			✓	Front marker lamp, white lens, 12/24V, screw fixing
893/61/50	Click in	5m	✓			✓	Front marker lamp, white lens, 12/24V, screw fixing
893/62/05	Click in	0.5m			✓	✓	Rear marker lamp, red lens, 12/24V, screw fixing
893/62/50	Click in	5m			✓	✓	Rear marker lamp, red lens, 12/24V, screw fixing
893/63/02	Click in	0.2m		✓		✓	Side marker lamp, amber lens, 12/24V, screw fixing
893/63/05	Click in	0.5m		✓		✓	Side marker lamp, amber lens, 12/24V, screw fixing
893/63/15	Click in	1.5m		✓		✓	Side marker lamp, amber lens, 12/24V, screw fixing

Part Number	Spares
88402	Vertical bracket PP
88403	Horizontal bracket PP
88931	Horizontal bracket EPDM
88932	Flat horizontal bracket EPDM
88933	Vertical bracket EPDM
88934	Flat vertical bracket EPDM
89227	Horizontal bracket M895
89294	Horizontal cranked bracket (135 degrees)
90373	Horizontal bracket clip fit
90846	Fixing kit



Truck-Lite®

See & Be Seen®



High Quality . Truck-Lite Warranty . EMC Approved . Dual Voltage . IP67



M891

Rectangular LED Marker Lamp

“Rubbolite”®



✓

ADR

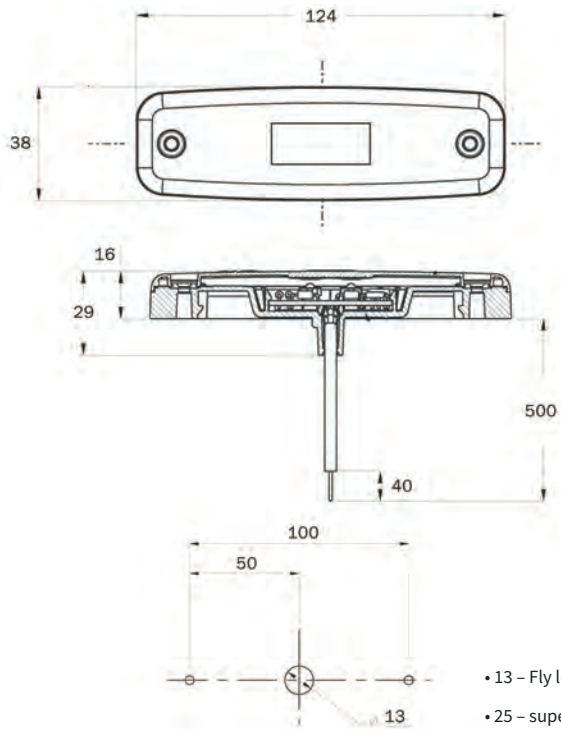
IP59

12/24V

EMC

Part Number	Connector	Har.Length	Front	Side	Rear	Reflex	Description
891/01/04	Fly lead	0.5m	✓			✓	12/24V front marker
891/01/13	Fly lead	4m	✓			✓	12/24V front marker
891/01/53	Fly lead + SSF	0.5m	✓			✓	12/24V front marker
891/02/04	Fly lead	0.5m			✓	✓	12/24V rear marker
891/02/09	Fly lead + SSF	0.5m			✓	✓	12/24V rear marker
891/02/50	Fly lead	5m			✓	✓	12/24V rear marker
891/03/04	Fly lead	0.5m		✓		✓	12/24V side marker
891/03/05	Fly lead	1.5m		✓		✓	12/24V side marker
891/03/07	Fly lead	7m		✓		✓	12/24V side marker
891/03/09	Fly lead + SSF	0.5m		✓		✓	12/24V side marker
891/03/11	Fly lead	3m		✓		✓	12/24V side marker
891/03/13	Fly lead	5.5m		✓		✓	12/24V side marker
891/03/15	Fly lead + SSF	1.5m		✓		✓	12/24V side marker

Part Number	Spares
86088	Horizontal bracket kit
86089	Vertical bracket kit
82681	Clamp assy kit 46mm
86086	Clamp assy kit 57mm



- 13 – Fly lead
- 25 – superseal



M890

Rectangular LED Marker Lamp

Rubbolite®



✓

ADR

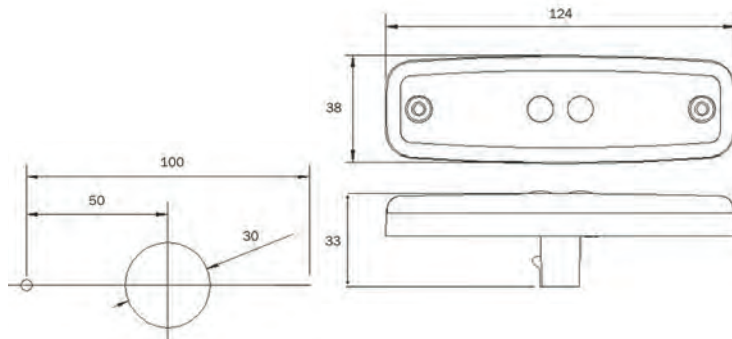
IP59

12/24V

EMC

Part Number	Connector	Har.Length	Front	Side	Rear	Reflex	Description
890/01/04	Supeseal	0.5m	✓			✓	Front marker, 12/24V
890/02/04	Supeseal	0.5m			✓	✓	Rear marker, 12/24V
890/03/04	Supeseal	0.5m		✓		✓	Side marker, 12/24V

Part Number	Spares
82681	Clamp assy kit 46mm
82714	Tyco connector kit, SSM 2way
86086	Clamp assy kit 57mm
86088	Horizontal bracket kit
86089	Vertical bracket kit



M881

LED Click In Marker Lamp

Rubbolite®



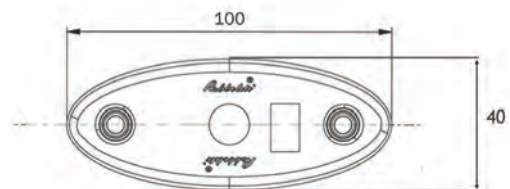
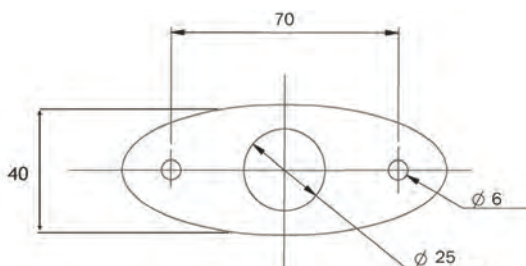
✓

IP59

12/24V

EMC

Part Number	Connector	Har.Length	Front	Side	Rear	Reflex	Description
881/61/05	Click-in	0.5m	✓			✓	12/24V LED front marker
881/61/15	Click-in	1.5m	✓			✓	12/24V LED front marker
881/61/35	Click-in	3.5m	✓			✓	12/24V LED front marker
881/62/05	Click-in	0.5m			✓	✓	12/24V LED rear marker
881/62/15	Click-in	1.5m			✓	✓	12/24V LED rear marker
881/62/50	Click-in	5.5m			✓	✓	12/24V LED rear marker
881/63/05	Click-in	0.5m		✓		✓	12/24V LED side marker
881/63/15	Click-in	1.5m		✓		✓	12/24V LED side marker
881/73/05	Click-in	0.5m		✓		✓	12/24V LED side marker
881/73/15	Click-in	1.5m		✓		✓	12/24V LED side marker





M876/877

LED CAT 5 Sidemarker



ADR



IP69



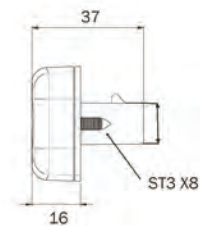
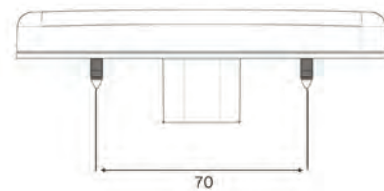
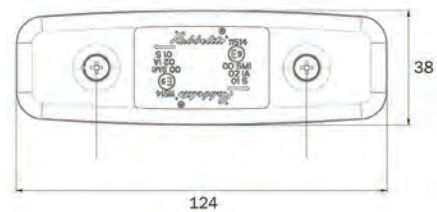
24V



EMC

Part Number	Connector	Har.Length	Front	Side	Rear	Reflex	Description
876/03/00	3 way superseal			✓		✓	24V DI/sidemarker, no bracket
876/23/00	3 way superseal			✓		✓	24V DI/sidemarker, standard bracket
876/33/00	3 way superseal			✓		✓	24V DI/sidemarker, long bracket
876/43/00	3 way superseal			✓		✓	24V DI/sidemarker, EU bracket
876/53/00	3 way superseal			✓		✓	24V DI/sidemarker, EU long bracket
877/03/05	Fly lead	0.5m		✓		✓	24V DI/sidemarker, no bracket
877/03/15	Fly lead	1.5m		✓		✓	24V DI/sidemarker, no bracket
877/23/05	Fly lead	0.5m		✓		✓	24V DI/sidemarker, standard bracket
877/23/15	Fly lead	1.5m		✓		✓	24V DI/sidemarker, standard bracket
877/33/05	Fly lead	0.5m		✓		✓	24V DI/sidemarker, long bracket
877/33/15	Fly lead	1.5m		✓		✓	24V DI/sidemarker, long bracket
877/43/05	Fly lead	0.5m		✓		✓	24V DI/sidemarker, EU bracket
877/43/15	Fly lead	1.5m		✓		✓	24V DI/sidemarker, EU bracket
877/53/05	Fly lead	0.5m		✓		✓	24V DI/sidemarker, EU long bracket
877/53/15	Fly lead	1.5m		✓		✓	24V DI/sidemarker, EU long bracket

Part Number	Spares (M876/877/870/871)
93485	Standard bracket
93486	Long bracket
93487	EU bracket
93488	Long EU bracket





M870/871

LED Sidemarker



ADR



IP69



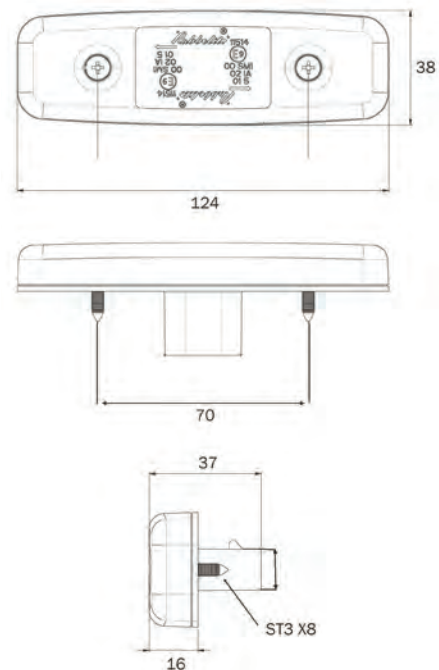
24V



EMC

Part Number	Connector	Har.Length	Front	Side	Rear	Reflex	Description
870/03/00	3 way superseal			✓		✓	24V sidemarker, no bracket
870/23/00	3 way superseal			✓		✓	24V sidemarker, standard bracket
870/33/00	3 way superseal			✓		✓	24V sidemarker, long bracket
870/43/00	3 way superseal			✓		✓	24V sidemarker, EU bracket
870/53/00	3 way superseal			✓		✓	24V sidemarker, EU long bracket
871/03/05	Fly lead	0.5m		✓		✓	24V sidemarker, no bracket
871/03/15	Fly lead	1.5m		✓		✓	24V sidemarker, no bracket
871/23/05	Fly lead	0.5m		✓		✓	24V sidemarker, standard bracket
871/23/15	Fly lead	1.5m		✓		✓	24V sidemarker, standard bracket
871/33/05	Fly lead	0.5m		✓		✓	24V sidemarker, long bracket
871/33/15	Fly lead	1.5m		✓		✓	24V sidemarker, long bracket
871/43/05	Fly lead	0.5m		✓		✓	24V sidemarker, EU bracket
871/43/15	Fly lead	1.5m		✓		✓	24V sidemarker, EU bracket
871/53/05	Fly lead	0.5m		✓		✓	24V sidemarker, EU long bracket
871/53/15	Fly lead	1.5m		✓		✓	24V sidemarker, EU long bracket

Part Number	Spares (M876/877/870/871)
93485	Standard bracket
93486	Long bracket
93487	EU bracket
93488	Long EU bracket





M863

LED Front Roof Marker Lamp

Rubbolite[®]



IP59

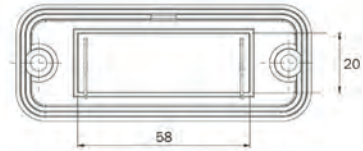
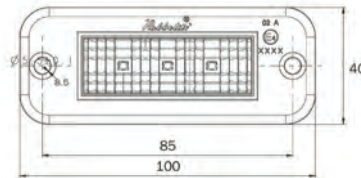


24V



EMC

Part Number	Connector	Har.Length	Front	Side	Rear	Reflex	Description
863/01/00	Spade		✓				L/H & R/H 24V, LED, clear front marker



M862

LED Front Roof Marker Lamp

Rubbolite[®]



IP59



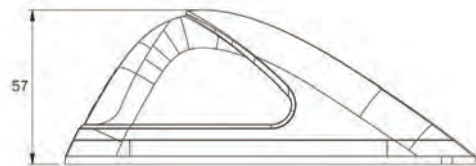
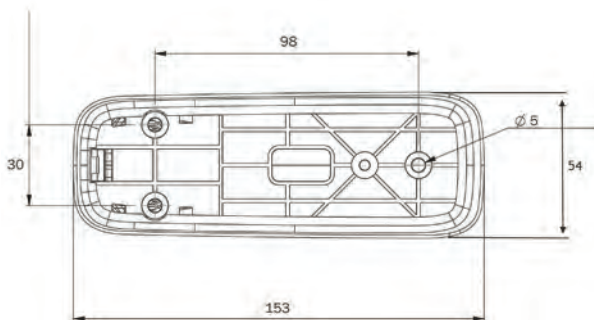
24V



EMC

OE Fit: Mercedes

Part Number	Connector	Har.Length	Front	Side	Rear	Reflex	Description
862/01/00	Fly Lead		✓				L/H & R/H, 24V, LED clear front marker





M857

Front & Rear LED Marker Lamp

Rubbolite®



✓

ADR

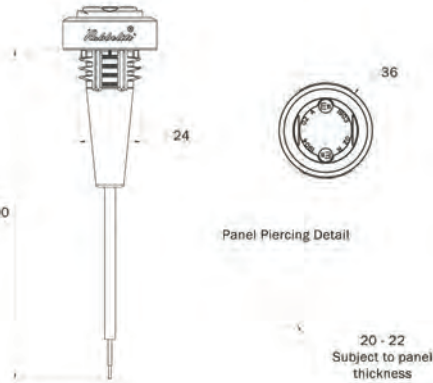
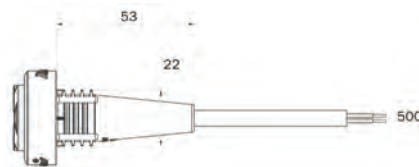
IP59

12/24V

EMC

Part Number	Connector	Har.Length	Front	Side	Rear	Reflex	Description
857/01/04	Fly lead	0.5m	✓				Front marker, 12/24V, ADR harness
857/01/11	Superseal	1m	✓				Front marker, 12/24V, ADR harness
857/02/04	Fly lead	0.5m			✓		Rear marker, 12/24V, ADR harness
857/02/11	Superseal	1m			✓		Rear marker, 12/24V, ADR harness
857/08/10	Superseal	0.5m	✓				Front marker, 12/24V, ADR harness, green, +ABS monitor

Part Number	Spares
82714	Tyco connector kit SSM 2 way



M856

Front & Rear LED Marker Lamp

Rubbolite®



✓

ADR

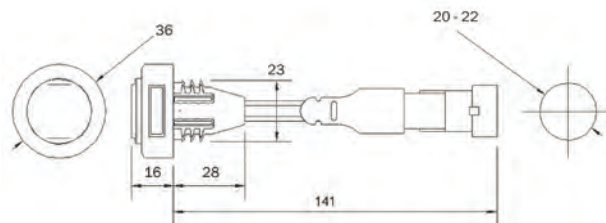
IP59

12/24V

EMC

Part Number	Connector	Har.Length	Front	Side	Rear	Reflex	Description
856/01/04	Superseal	125mm	✓				12/24V front marker
856/01/05	Fly lead	150mm	✓				12/24V front marker
856/01/08	Superseal	125mm	✓				12/24V front marker
856/02/04	Superseal	125mm			✓		12/24V rear marker
856/02/05	Fly lead	150mm			✓		12/24V rear marker
856/02/08	Superseal	125mm			✓		12/24V rear marker

Part Number	Spares
82714	Tyco connector kit SSM 2 way





M851

LED Marker Lamp

Rubbolite[®]



ADR

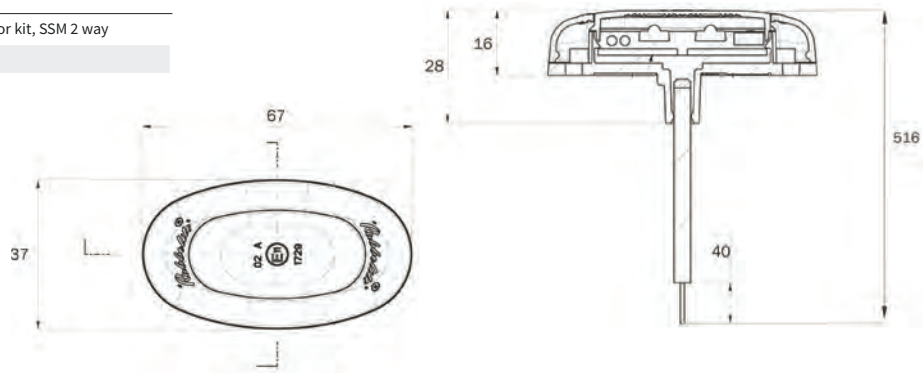
IP59

12/24V

EMC

Part Number	Connector	Har.Length	Front	Side	Rear	Reflex	Description
851/01/04	Fly lead	0.5m	✓				Front marker, 12/24V
851/02/04	Fly lead	0.5m			✓		Rear marker, 12/24V
851/08/04	Fly lead	0.5m					LED ABS monitor

Part Number	Spares
82714	Tyco connector kit, SSM 2 way
86308	Bezel



M850

LED Marker Lamp

Rubbolite[®]



ADR

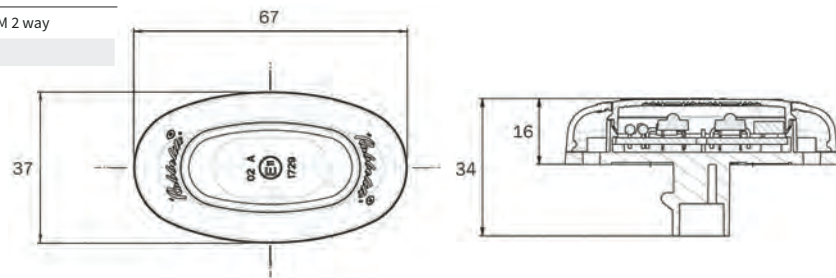
IP59

12/24V

EMC

Part Number	Connector	Har.Length	Front	Side	Rear	Reflex	Description
850/01/04	Superseal		✓				Front marker, 12/24V
850/02/04	Superseal				✓		Rear marker, 12/24V
850/08/04	Superseal						LED ABS monitor 12/24V

Part Number	Spares
82714	Tyco connector kit SSM 2 way
86308	Bezel





M626

LED CAT 5 Sidemarker

Rubbolite®



ADR



IP54



24V



EMC

Part Number	Connector	Har.Length	Front	Side	Rear	Reflex	Description
626/01/04	Cable entry			✓		✓	24V, side marker DI with reflex
626/03/08	3 way SSF			✓		✓	24V, side marker DI with reflex
626/23/08	3 way SSF			✓		✓	24V, side marker DI with reflex, horizontal bracket bolt option

Part Number	Spares
7122A	M335 bracket pack
7675	M332 bezel
83178A	M335 bracket square
85405A	M626 lens

M620

LED Side Marker Lamp

Rubbolite®



ADR



IP54



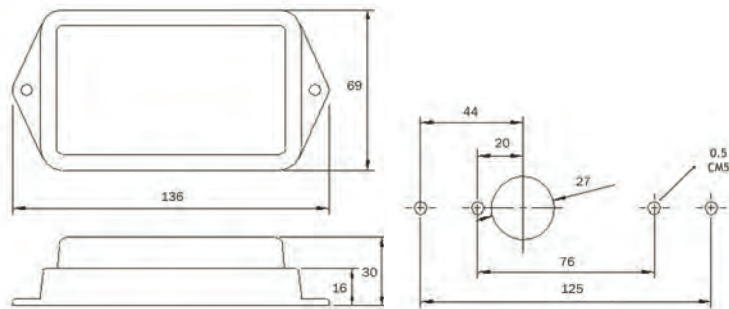
24V



EMC

Part Number	Connector	Har.Length	Front	Side	Rear	Reflex	Description
620/01/04	Cable entry			✓		✓	24V side marker with reflex
620/01/55	Superseal			✓		✓	24V side marker with reflex

Part Number	Spares
7675	M332 Bezel
6989A	M333 bracket pack
7122A	M335 bracket pack
7123A	M334 bracket pack
83018A	Clamp Assy 46mm I-beam
83584A	Clamp Assy 57mm I-beam
80211	Lens M620 Assy 24V
83178A	Square bracket M335



Drawing applies to M626 and M620



M615

LED Side Marker Lamp

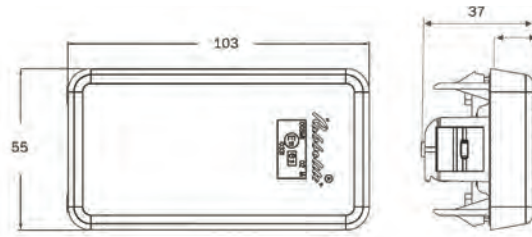
Rubbolite[®]



OE Fit: Scania

Part Number	Connector	Har.Length	Front	Side	Rear	Reflex	Description
615/03/00	G&H connector			✓		✓	24V side marker with reflex

Part Number	Spares
82714	AMP connector kit SSM 2-way
86976	2 core harness M615
82162	Lampholder M610 Assy



M610

Side Marker & DI Lamp

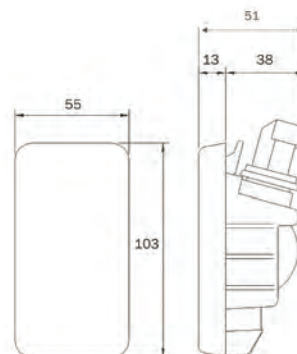
Rubbolite[®]



OE Fit: Volvo, Scania

Part Number	Connector	Har.Length	Front	Side	Rear	Reflex	Description
610/03/00	Superseal			✓		✓	Side marker
610/03/06	Superseal			✓		✓	24V side marker
610/04/00	Superseal			✓			Side marker and DI

Part Number	Spares
82162	Lampholder M610 Assy
82714	AMP connector kit SSM 2-way
86976	2 core harness M615





M597

Marker Lamp

Rubbolite®



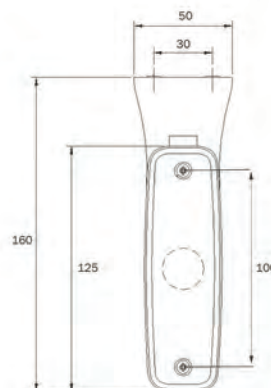
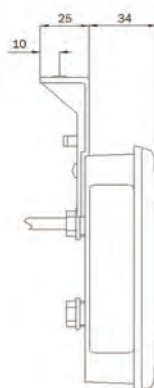
IP54

12/24V

OE Fit: MAN

Part Number	Connector	Har.Length	Front	Side	Rear	Reflex	Description
597/01/00	Cable entry		✓	✓	✓	✓	Marker Lamp
597/01/10	Lucard (spade)	600mm		✓	✓	✓	24V RH marker lamp supplied with M465DIN/11/08A
597/01/11	Lucard (spade)	600mm		✓	✓	✓	24V LH marker lamp supplied with M465DIN/12/09A

Part Number	Spares
83689	M597 fixing kit
2446	24V W5W bulb
83679A	Lens M597 SM/SR



M596

LED Side Marker Lamp

Rubbolite®



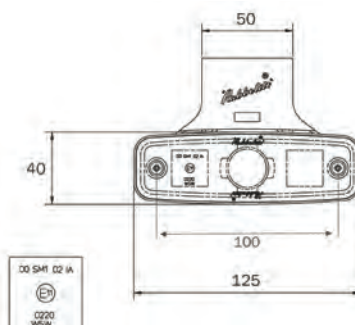
IP54

12/24V

EMC

Part Number	Connector	Har.Length	Front	Side	Rear	Reflex	Description
596/12/00	Cable entry				✓		Rear marker lamp
596/13/00	Cable entry			✓		✓	Side marker with reflex
596/14/00	Cable entry		✓			✓	Front marker with reflex
596/23/00	Cable entry			✓		✓	Side marker with reflex
596LED/13/04	Cable entry			✓		✓	24V LED side marker with reflex
596LED/23/04	Cable entry			✓		✓	24V LED side marker with reflex, horizontal bracket
596LED/52/08	Fly lead	4.3m			✓	✓	12/24V rear LED marker

Part Number	Spares
83197A	Bracket Assy M596
83201A	Lens M596 EOM (F) RF
83204A	Lens M596 SM/RF
85526A	Lens M596 LED
85391	Rear LED lens M596
83203A	EOM (R) lens M596





M595

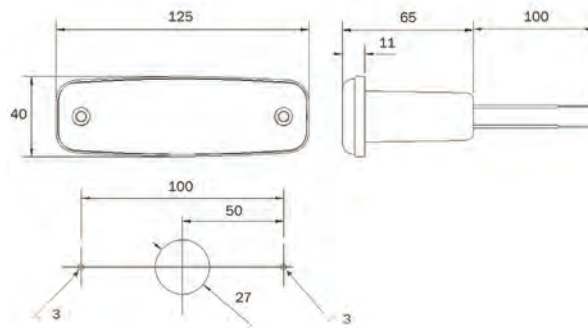
Marker Lamp

Rubbolite[®]



Part Number	Connector	Har.Length	Front	Side	Rear	Reflex	Description
595/02/00	Fly lead	1m			✓	✓	Rear marker lamp
595/03/00	Fly lead	1m		✓		✓	Side marker
595/04/00	Fly lead	1m	✓			✓	Front marker lamp

Part Number	Spares
2446	Bulb W5W 24V
83024	Lens M595 Assy SM/RF
83126	Lens M595 Assy EOM/RF



M590

Side Marker & DI Lamp

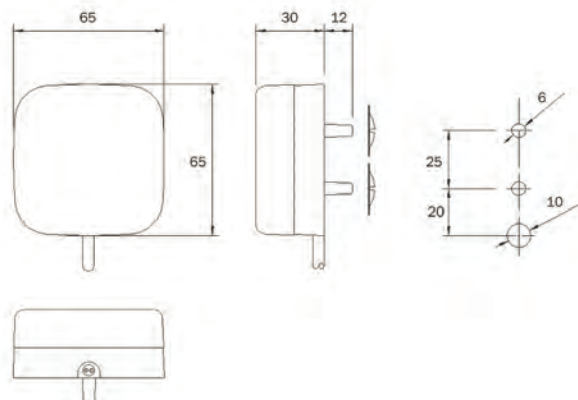
Rubbolite[®]



OE Fit: Ford Transit, MAN

Part Number	Connector	Har.Length	Front	Side	Rear	Reflex	Description
590/01/00	Cable entry			✓		✓	Side marker with peg fixing
590/01/17	Fly lead	0.3m		✓		✓	12V side marker with peg fixing
590/01/58	MAN Conn plug	1.5m		✓		✓	Side marker with peg fixing
590/01/60	MAN Conn socket	1.5m		✓		✓	Side marker with peg fixing
590/02/09	Superseal	1.3m					LH DI, 24V, peg fixing
590LED/03/04	Cable entry			✓		✓	24V LED side marker, with peg fixing
591/01/00	Fly lead			✓		✓	Side marker with bracket

Part Number	Spares
2446A	Bulb W5W 24V
81013	Lampholder M590/591
81401A	Lens M590 SM





M556

Front Marker Lamp

Rubbolite®



IP54



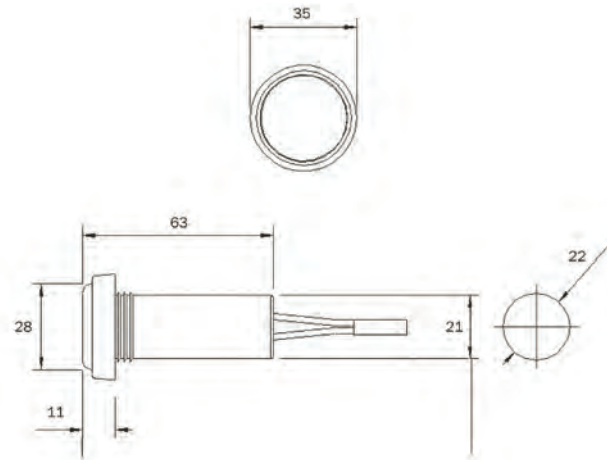
24V



EMC

Part Number	Connector	Har.Length	Front	Side	Rear	Reflex	Description
556/01/04	Flying lead	0.1m	✓				24V LED front marker,

Part Number	Spares
84127	M556 lens



M555

Front Marker Lamp

Rubbolite®



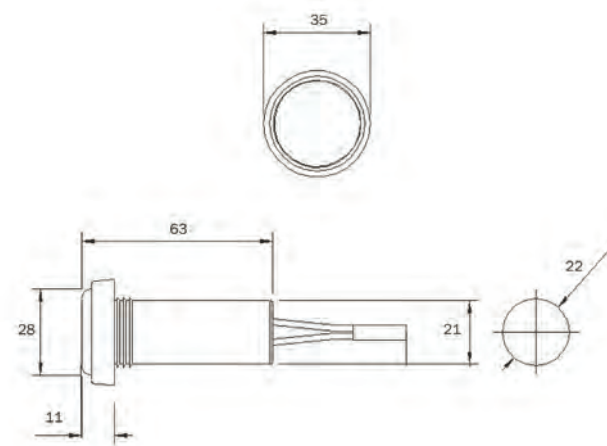
IP54



12/24V

Part Number	Connector	Har.Length	Front	Side	Rear	Reflex	Description
555/01/00	Fly lead	0.2m	✓				Front marker
555/01/24	Fly lead + bullet receptacles	1.5m	✓				12V front marker
555/01/31	Harness + SSF	0.06m	✓				24V front marker
555/08/00	Fly lead	0.2m	✓				Green lens, front marker, ABS monitor

Part Number	Spares
81416A	Bulb W3W 24V
81800	Clear lens
81801	Green lens





M553

LED Marker Lamp

Rubbolite[®]



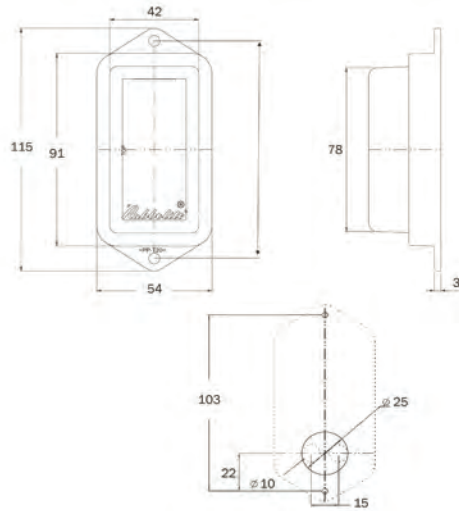
IP54

12/24V

EMC

Part Number	Connector	Har.Length	Front	Side	Rear	Reflex	Description
553/01/04	Cable entry		✓				12/24V front marker
553/02/04	Cable entry				✓		12/24V rear marker

Part Number	Spares
7653	M550 bezel
88282	Front pod/lens assy
88283	Rear pod/lens assy



M550

Marker Lamp

Rubbolite[®]

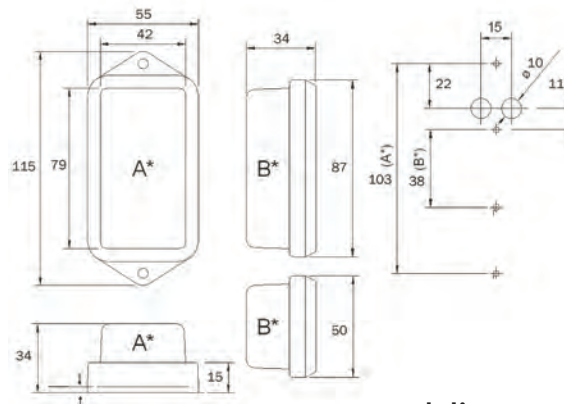


IP54

12/24V

Part Number	Connector	Har.Length	Front	Side	Rear	Reflex	Description
550/01/00	Cable entry		✓				Clear front marker
550/02/00	Cable entry				✓		Red rear marker
550/03/00	Cable entry			✓			Amber side marker
550/08/00	Cable entry		✓				Green front marker with ABS monitor
550ADR/01/00	Conduit Gland		✓				Clear front marker, conduit, tanker
550ADR/02/00	Conduit Gland				✓		Red rear marker, conduit, tanker
550ADR/03/00	Conduit Gland			✓			Amber side marker, conduit, tanker

Part Number	Spares
7653	M550 bezel
7537	Lampholder M332.1
7534	Red lens
7535	Clear lens
7546	Amber lens
7690	Green lens





M511

LED Marker Lamp

Rubbolite®



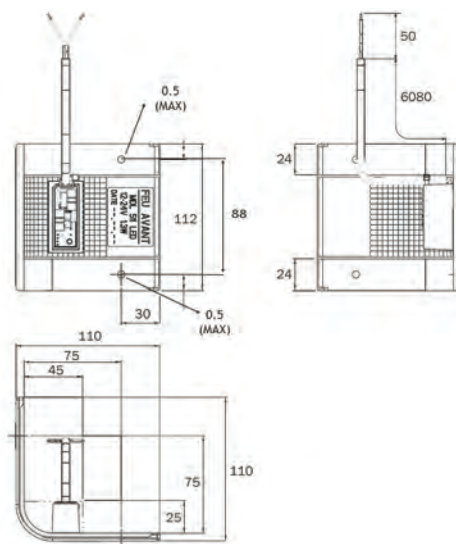
IP57

12/24V

EMC

OE Fit: Le Capitaine

Part Number	Connector	Har.Length	Front	Side	Rear	Reflex	Description
511/01/08	Fly lead	0.6m	✓				12/24V RH front marker
511/01/09	Fly lead	0.6m	✓				12/24V LH front marker
511/02/09	Fly lead	0.3m			✓		12/24V R&L hand rear marker



M510

Front Marker

Rubbolite®

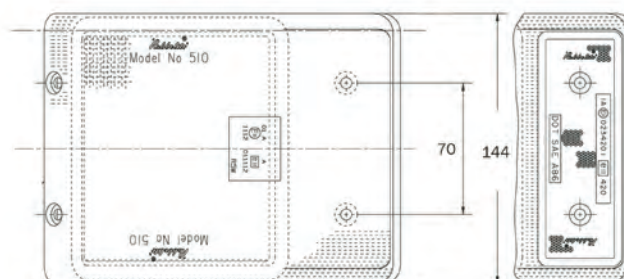


IP54

24V

EMC

Part Number	Connector	Har.Length	Front	Side	Rear	Reflex	Description
510/01/08	Cable entry		✓				24V L&R hand front marker
510ABS/01/08	Cable entry		✓				24V L&R hand front marker, with ABS monitor





M346

Front Position & DI Lamp

Rubbolite[®]

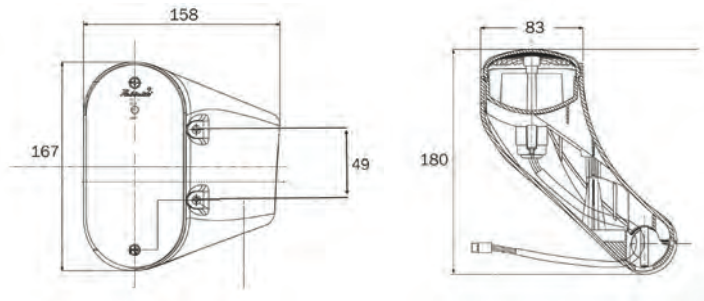


IP54

12V

OE Fit: CNH

Part Number	Connector	Har.Length	Front	Side	Rear	Reflex	Description
346/01/14			✓				12V RH front DI/marker
346/01/15			✓				12V LH front DI/marker



M335

Horizontal Pendant Side Marker

Rubbolite[®]

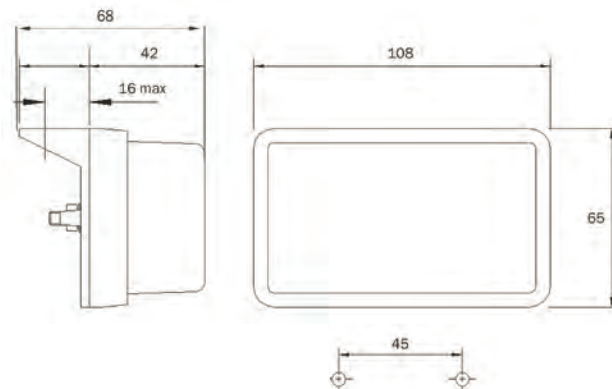


IP54

12/24V

Part Number	Connector	Har.Length	Front	Side	Rear	Reflex	Description
335/01/00	Cable entry			✓		✓	Side marker with reflex, twin cable/bracket

Part Number	Spares
7675	Bezel
7122A	M335 bracket pack
83178A	M335 square bracket
83018A	Clamp assy 46mm i-beam
83584A	Clamp assy 57mm i-beam
7537	M332 lampholder
6991A	M332 lens SM/RF pack
7648	M332 spares kit





M333

Vertical Pendant Side Marker

Rubbolite®

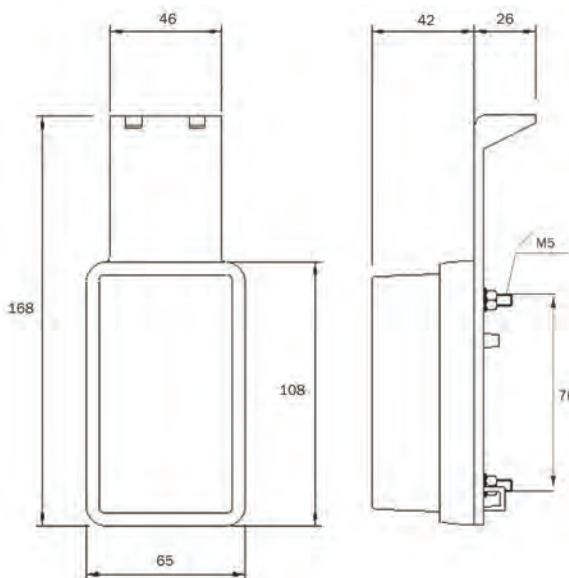


IP54

12/24V

Part Number	Connector	Har.Length	Front	Side	Rear	Reflex	Description
333/01/00	Cable entry			✓		✓	Side marker with reflex, twin cable/bracket
333/02/00	Conduit Gland			✓		✓	Side marker with reflex, conduit, tanker

Part Number	Spares
6989A	M333 bracket pack
83018A	Clamp assy 46mm i-beam
83584A	Clamp assy 57mm i-beam
7537	M332 lampholder
6991A	Lens M332 SM/RF pack
7648	M332 spares kit
7675	Bezel



M332

Surface Mounting Side Marker

Rubbolite®

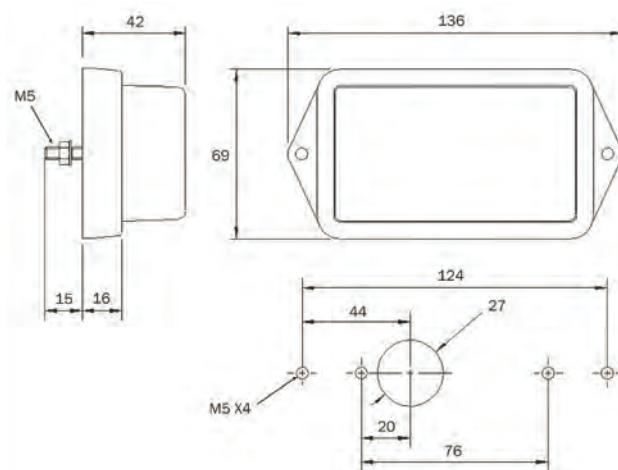


IP54

12/24V

Part Number	Connector	Har.Length	Front	Side	Rear	Reflex	Description
332/01/00	Cable entry			✓		✓	Side marker with reflex, twin Cable entry
332/02/00	Conduit Gland			✓		✓	Side marker with reflex, conduit, tanker

Part Number	Spares
7675	Bezel
83018A	Clamp assy 46mm I-beam
83584A	Clamp assy 57mm I-beam
7537	Lampholder 1
6991A	Lens SM/RF pack
7648	M332 spares kit
6989A	M333 bracket pack
7122A	M335 bracket pack
7123A	M334 bracket pack
83178A	M335 square bracket





M273

Cat 6 Direction Indicator

Rubbolite[®]



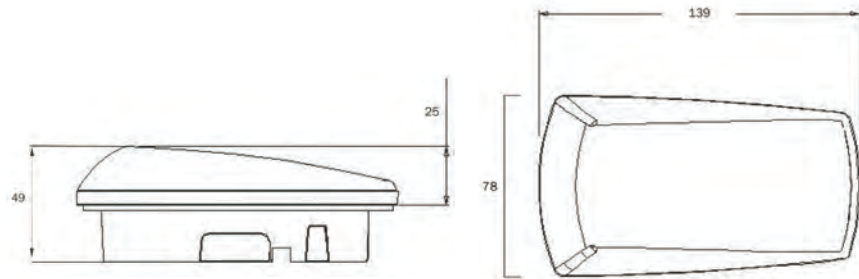
IP54

12/24V

EMC

OE Fit: Leyland, DAF

Part Number	Connector	Har.Length	Front	Side	Rear	Reflex	Description
273/01/00	Fly lead	0.2m		✓			12/24V LED DI, recess mounting, amber
273/02/00	Fly lead	0.2m		✓			12/24V LED DI, recess mounting, clear lens



M272

Cat 6 Direction Indicator

Rubbolite[®]



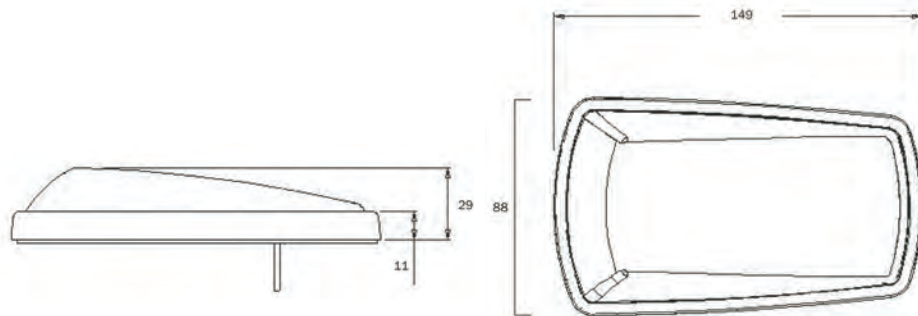
IP54

12/24V

EMC

OE Fit: Leyland, DAF

Part Number	Connector	Har.Length	Front	Side	Rear	Reflex	Description
272/01/00	Fly lead	0.2m		✓			12/24V LED DI, surface mounting, amber
272/02/00	Fly lead	0.2m		✓			12/24V LED DI, surface mounting, clear lens





M122

Front Marker Lamp

Rubbolite®



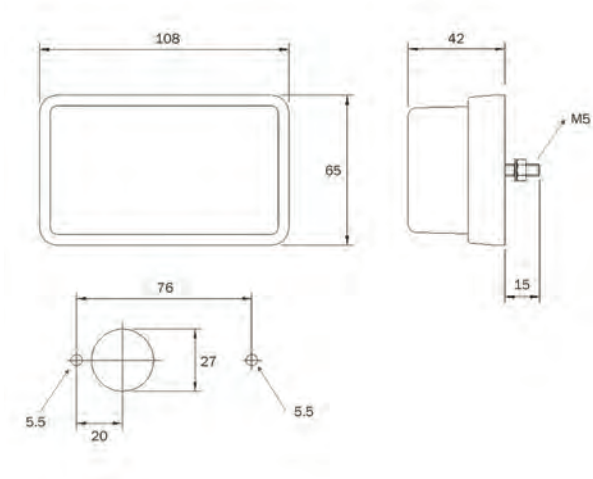
IP54



12/24V

Part Number	Connector	Har.Length	Front	Side	Rear	Reflex	Description
122/01/00	Cable entry		✓			✓	Front marker lamp with reflex

Part Number	Spares
7675	M332 bezel
6989A	M333 bracket pack
7122A	M335 bracket pack
7123A	M334 bracket pack
7537	M332 lampholder 1
3988	Lens assy M122 PS





M110

Marker Lamp & DI

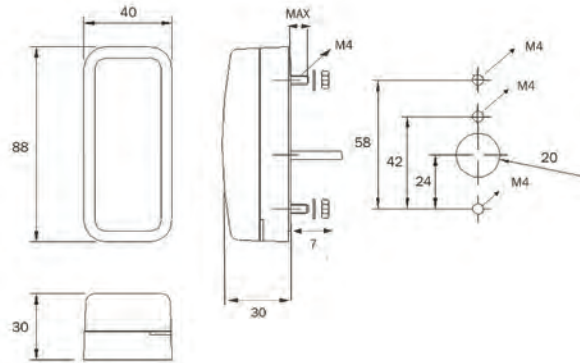


IP54

12/24V

Part Number	Connector	Har.Length	Front	Side	Rear	Reflex	Description
110/01/00	Fly Lead	270mm		✓			Side marker and DI
110/02/06	Fly Lead	270mm		✓			24V side marker and DI
110/03/00	Fly Lead	270mm	✓				Front marker
110/04/04	Fly Lead	270mm	✓				24V front marker
110/05/00	Fly Lead	270mm			✓		Rear marker
110/07/00	Fly Lead	270mm		✓			Green front marker, ABS monitor lamp

Part Number	Spares
83023	M110 lampholder
82336	M110 lens assy amber
82337	M110 lens assy red
82338	M110 lens assy clear
2446A	24V W5W bulb



M51

Marker Lamp

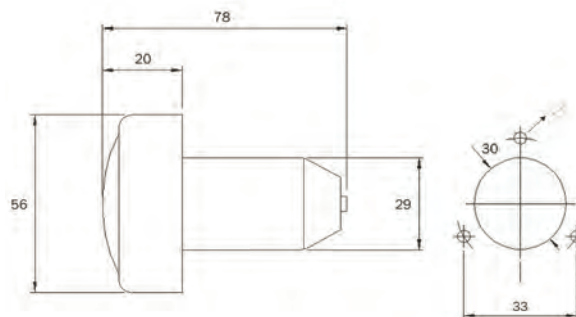


IP54

12/24V

Part Number	Connector	Har.Length	Front	Side	Rear	Reflex	Description
51/01/00	Cable entry		✓				Front marker, double pole
51/01/01	Cable entry		✓				Front marker, single pole
51/02/00	Cable entry				✓		Rear marker, double pole
51/02/01	Cable entry				✓		Rear marker, single pole
51/03/00	Cable entry		✓				Green front marker, double pole, ABS monitor
51/03/01	Cable entry		✓				Green front marker, single pole, ABS monitor

Part Number	Spares
1104	Single pole lampholder
1105	Double pole lampholder
1757	M51 red lens
1758	M12/51 clear lens
5414	Green lens





M50

Marker Lamp

Rubbolite®

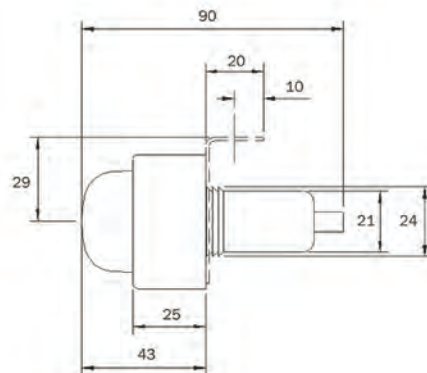


IP54

12/24V

Part Number	Connector	Har.Length	Front	Side	Rear	Reflex	Description
50/01/00	Cable entry		✓				Front marker, double pole with 1269A bracket
50/01/01	Cable entry		✓				Front marker, single pole with 1269A bracket
50/02/00	Cable entry				✓		Rear marker, double pole with 1269A bracket
50/02/01	Cable entry				✓		Rear marker, single pole with 1269A bracket, 24V
50/02/02	Cable entry				✓		Rear marker, single pole with 1269A bracket
50/03/00	Cable entry			✓			Side marker, double pole with 1269A bracket
50/03/01	Cable entry			✓			Side marker, single pole with 1269A bracket
50/04/00	Cable entry		✓				Front marker, double pole
50/04/10	Cable entry		✓				Front marker, single pole
50/05/00	Cable entry				✓		Rear marker, double pole
50/05/01	Cable entry				✓		Rear marker, single pole
50/06/01	Cable entry			✓			Side marker, single pole
50/09/00	Cable entry		✓				Green front marker, with ABS monitor, double pole
50/09/01	Cable entry		✓				Green front marker, with ABS monitor, single pole
50/09/05	Cable entry		✓				Green front marker, with ABS monitor, double pole, 1269A bracket

Part Number	Spares
1269A	Fixing bracket pack
1102	Lampholder M50/99/185 double pole
1313	Lampholder extraction tool
1553	Lampholder M50 single pole
1231	Clear lens M50 (also PP)
1268	Red lens M50
1795	Amber lens M50
2540	Green lens M50





M28

Pendant Marker Lamp & DI

“Rubbolite”®

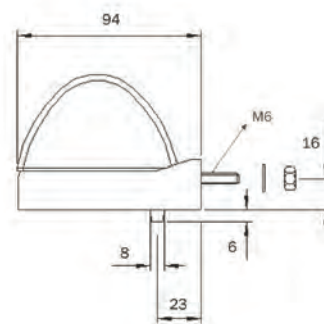
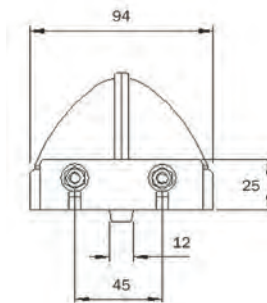


IP54

12/24V

Part Number	Connector	Har.Length	Front	Side	Rear	Reflex	Description
28/01/00	Cable entry		✓		✓		Front/rear marker double pole
28/01/02	Cable entry		✓		✓		Front/rear marker single pole
28/03/00	Cable entry			✓			Side marker and DI, double pole
28/03/02	Cable entry			✓			Side marker and DI, single pole
28/04/01	Cable entry				✓		Rear marker single pole

Part Number	Spares
2597	Lampholder M22/28/55 SP
1100	Lampholder M22/28/55 DP
1744A	M22 lens red/clear pack
1748A	M22/28 lens red
1756A	M22 amber lens pack





M22

Marker Lamp & DI

“Rubbolite”®

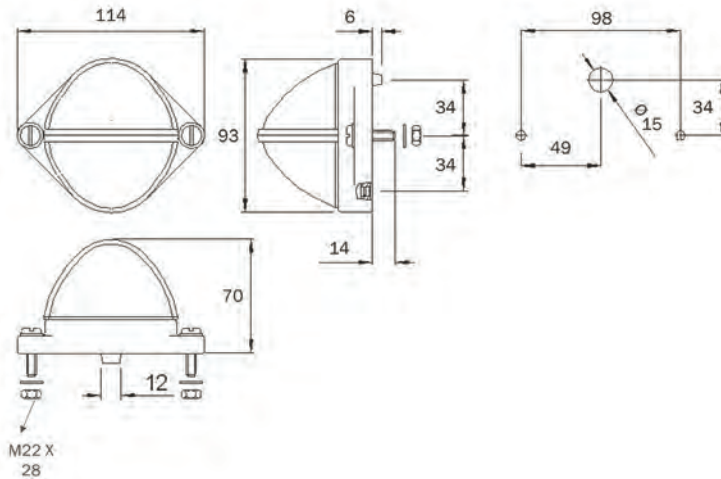


IP54

12/24V

Part Number	Connector	Har.Length	Front	Side	Rear	Reflex	Description
22/01/00	Cable entry		✓		✓		Surface mounted front/rear marker, double pole
22/01/01	Cable entry		✓		✓		Surface mounted front/rear marker, single pole
22/02/01	Cable entry		✓				Surface mounted front marker, single pole
22/03/00	Cable entry			✓			Surface mounted side marker, DI, double pole
22/03/01	Cable entry			✓			Surface mounted side marker, DI, single pole
22/04/01	Cable entry				✓		Surface mounted rear marker, single pole

Part Number	Spares
2597	M22/28/55 lampholder SP
1100	M22/28/55 lampholder DP
1744A	M22 red/clear lens pack
1747A	M22 clear lens pack
1748A	M22 red lens pack
1756A	M22 amber lens pack





TL/35

LED Marker lamp

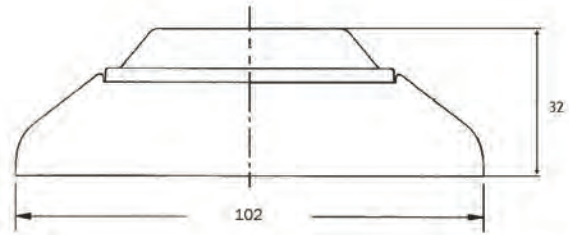
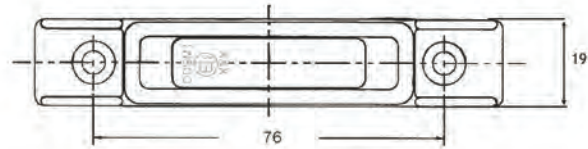


IP54

12/24V

Part Number	Connector	Har.Length	Front	Side	Rear	Reflex	Description
TL/35004R-4	Fit 'n' forget MC	0.1m			✓		LED lamp kit 10-30V 180 BLLT
TL/35007Y-4	Fit 'n' forget MC	0.1m		✓			LED lamp kit Euro 12V
TL/35009Y-4	Fit 'n' forget MC	0.1m		✓			LED lamp kit Euro 24V
TL/35207Y	Fit 'n' forget MC	0.1m		✓			LED lamp Euro 12V
TL/35209Y	Fit 'n' forget MC	0.1m		✓			LED lamp Euro 24V
TL/35890R	Fit 'n' forget MC	0.1m			✓		LED lamp Euro 10-30V

Part Number	Spares
TL/35720-4	Bracket kit
TL/94888	Fit/Forget harness





TL/34

LED Marker Lamp



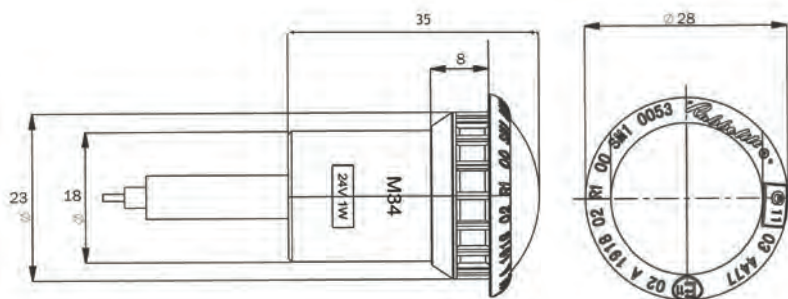
ADR

IP67

12/24V

Part Number	Connector	Har.Length	Front	Side	Rear	Reflex	Description
TL/34200A	Fly lead	0.5m		✓			Sidemarker 24V
TL/34200C	Fly lead	0.5m	✓				Front end outline marker 24V
TL/34200R	Fly lead	0.5m			✓		Rear end outline marker 24V
TL/34201A	Fly lead	0.5m		✓			Sidemarker 12V
TL/34201C	Fly lead	0.5m	✓				Front end outline marker 12V
TL/34201R	Fly lead	0.5m			✓		Rear end outline marker 12V
TL/34202A	Fly lead + bullet ends	0.2m		✓			Sidemarker 24V
TL/34202C	Fly lead + bullet ends	0.2m	✓				Front end outline marker 24V
TL/34202R	Fly lead + bullet ends	0.2m			✓		Rear end outline marker 24V
TL/34505C	Harness + SS FM	0.2m	✓				Front end outline marker 24V
TL/34505R	Harness + SS FM	0.2m			✓		Rear end outline marker 24V
TL/34605C	Click-in	0.5m	✓				Front end outline marker 24V
TL/34605R	Click-in	0.5m			✓		Rear end outline marker 24V
TL/34615C	Click-in	1.5m	✓				Front end outline marker 24V
TL/34635C	Click-in	3.5m	✓				Front end outline marker 24V
TL/34650R	Click-in	5m			✓		Rear end outline marker 24V

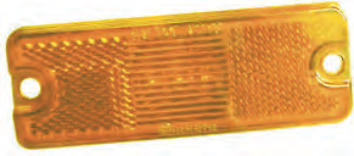
Part Number	Spares
TL/34700	Grommet M34 series





TL/18

LED Marker Lamp



IP67



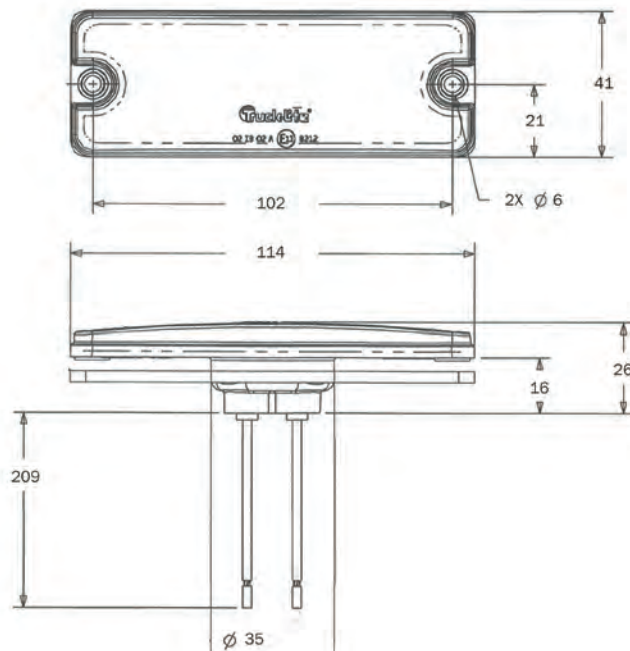
12/24V

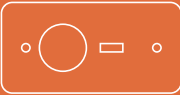


EMC

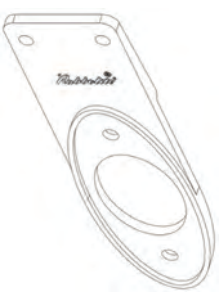
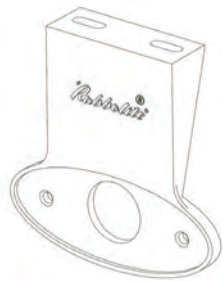
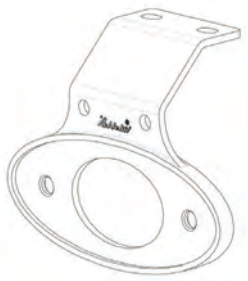
Part Number	Connector	Har.Length	Front	Side	Rear	Reflex	Description
TL/18011C	Fly lead	0.2m	✓			✓	Lamp kit 12/24V
TL/18011R	Fly lead	0.2m			✓	✓	Lamp kit 12/24V
TL/18011Y	Fly lead	0.2m		✓		✓	Lamp kit 12/24V
TL/10811C/SSF	SS female	0.2m	✓			✓	LED front marker 12/24V
TL/18011Y/SSF	SS female	0.2m		✓		✓	LED side marker 12/24V

Part Number	Spares
TL/18100-4	Model 18 vertical mount kit
TL/18101	Model 18 horizontal mount bracket
TL/18101-4	Model 18 horizontal mount kit
TL/18102-4	Model 18 surface mount kit



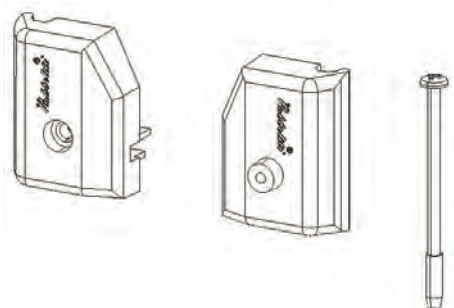


To suit: **M881, M893, M894, M898, M899**

Flexible: 88931 Rigid: 88403	Flexible: 88932	Flexible: 88933 Rigid: 88402	Flexible: 88934
			
Rigid: 89227	Rigid: 89294	Rigid: 90373	Rigid: 90822
			
Rigid: 93332	Rigid: 91900		
	*A 		

I-Beam Clamp Assy Kit - 46mm

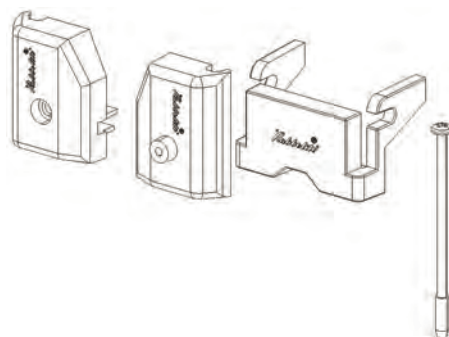
82681



USE WITH *A

I-Beam Clamp Assy Kit - 57mm

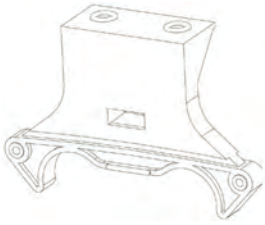
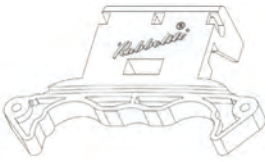

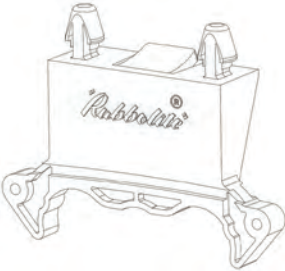
86086



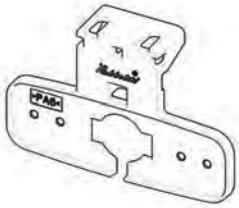
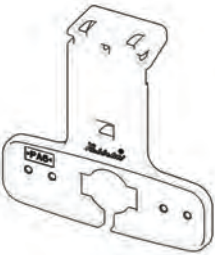
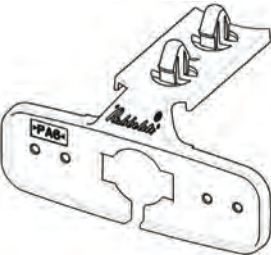
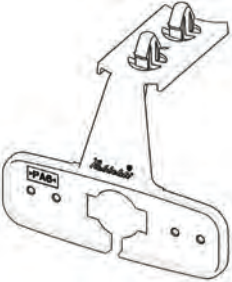
USE WITH *A



To suit: **M890, M891**

Flexible: 83197	Rigid: 86088	Rigid: 86089	Rigid: 90402
	*A 	*A 	

To suit: **M890, M891, M870, M871, M876, M877**

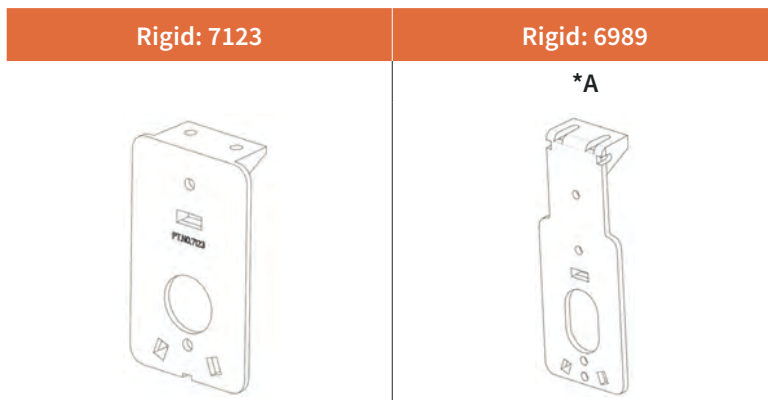
Rigid: 93485	Rigid: 93486	Rigid: 93487	Rigid: 93488
*A 	*A 		



To suit: **M332, M626**

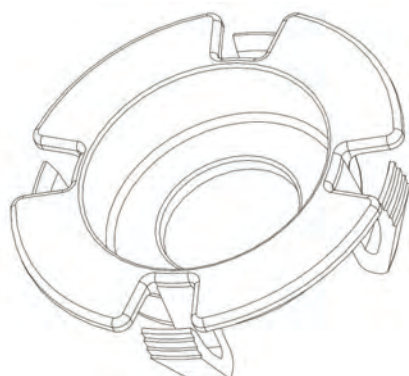


To suit: **M332**



To suit: **TL/34**

88682

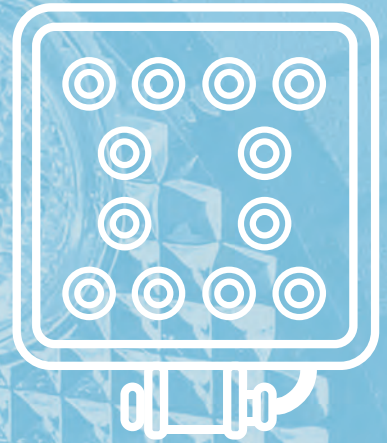


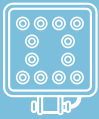
INTELLIGENT INNOVATIVE ICONIC



Truck-Lite[®]
See & Be Seen[®]

Work Lamps & Headlamps





Work Lamps

SS/80 LED Work Lamp

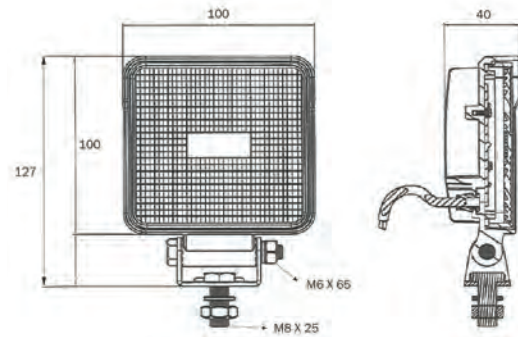
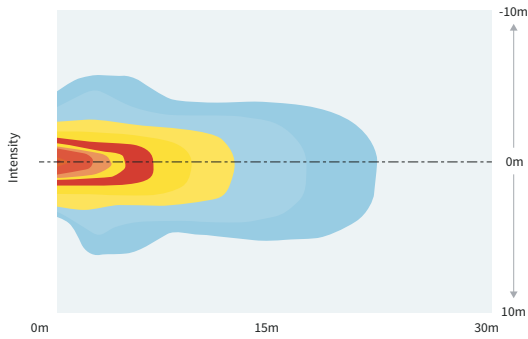


IP67

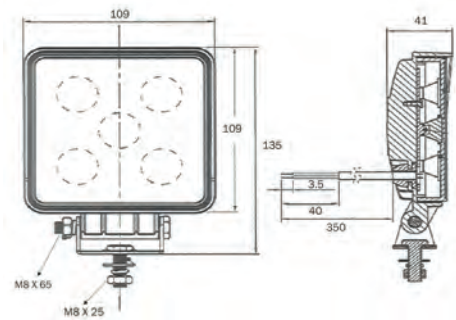
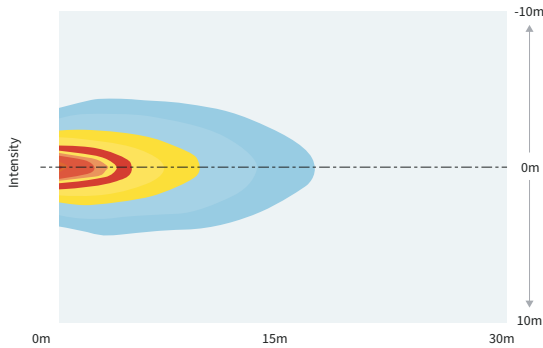
EMC

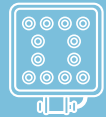
Part Number	Connector	Mount	Voltage	Colour	Lumen output	Type	Description
SS/80007	Fly lead	Single Bolt - M8	10-30v	White	700	Work	Flood pattern
SS/80012	Fly lead	Single Bolt - M8	10-30v	White	1050	Work	Flood pattern

SS-80007
Beam Pattern Aerial View



SS-80012
Beam Pattern Aerial View





TL/81

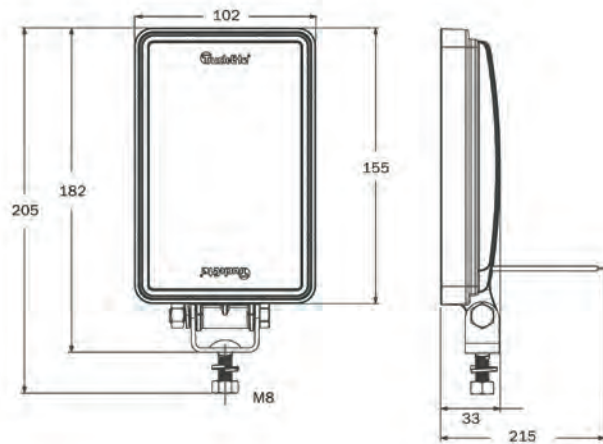
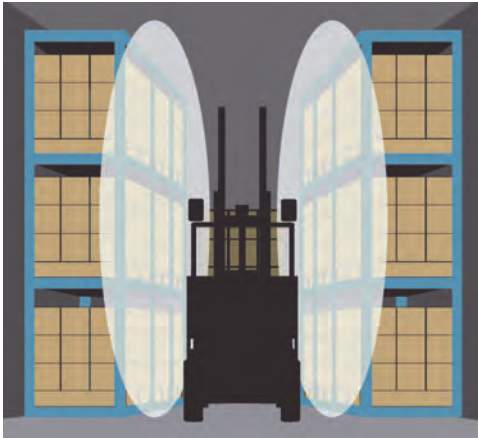
Forklift LED Lamp



IP67

EMC

Part Number	Connector	Mount	Voltage	Colour	Lumen output	Type	Description
TL/81560	Fly lead - 215mm	Single Bolt	12-48v	White		Forklift	LED forklift lamp, vertical beam pattern



TL/81

LED work/reverse Lamp



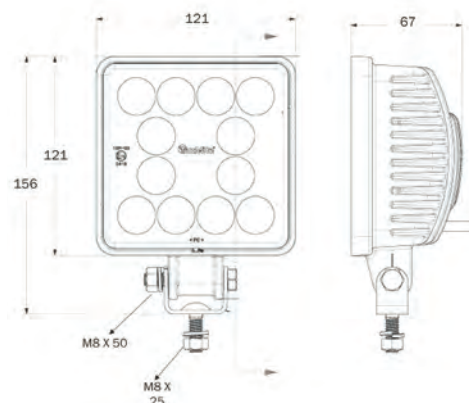
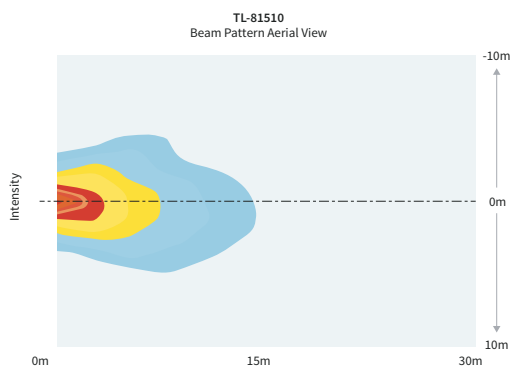
ADR

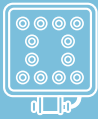
IP67

EMC

Part Number	Connector	Mount	Voltage	Colour	Lumen output	Type	Description
TL/81240	Fly lead - 265mm	Single Bolt	10-30v	White	500	Work	Round LED work lamp
TL/81360	Fly lead - 265mm		10-30v	White	500	Work	Round LED flood lamp
TL/81500	Fly Lead	Single Bolt	10-30v	White	2850	Work	Square LED work lamp
TL/81510	Fly lead	Single Bolt	10-30v	White	1800	Work	Square LED work lamp
TL/81520	Fly Lead	Single Bolt	10-30v	White	850	Work/Reverse	Square LED work/reverse lamp

Part Number	Spares
TL/97432	TL/81 hardware pack





Work Lamps

SS/86

LED Work Lamp

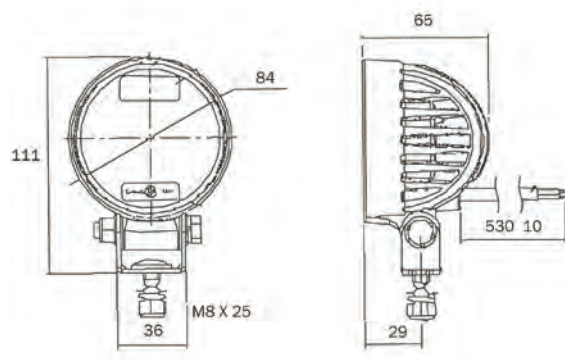
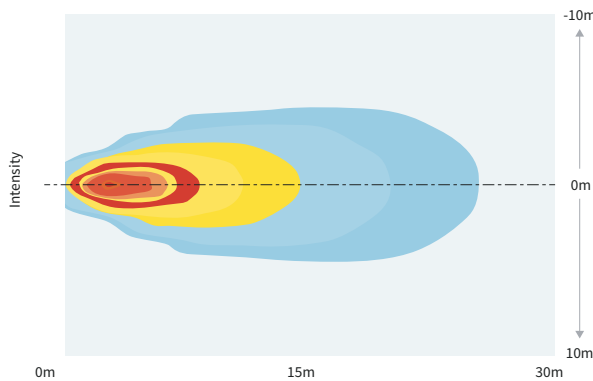


IP67

EMC

Part Number	Connector	Mount	Voltage	Colour	Lumen output	Type	Description
SS/86007	Fly lead - 500mm	Single Bolt - M8	10-30v	White	700	Work	Round lamp (4LED), stainless steel mounting bracket
SS/86007Y	Fly lead - 500mm	Single Bolt - M8	10-30v	Amber	700	Work	Round lamp (4LED), stainless steel mounting bracket
SS/86907	Fly Lead - 50033	Omega bracket	10-30v	White	700	Work	Round lamp (4 LED) with Omega bracket

SS-86007
Beam Pattern Aerial View



SS/87

Oval LED Work Lamp

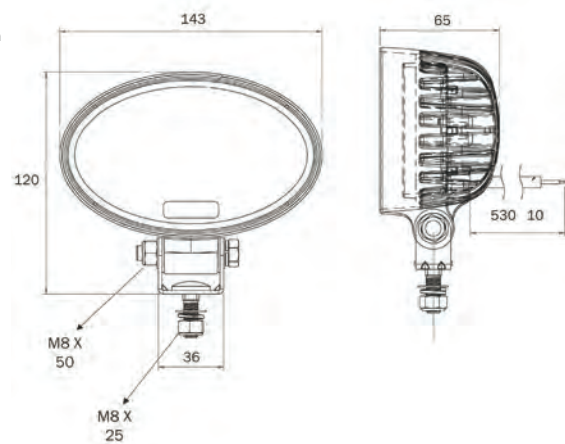
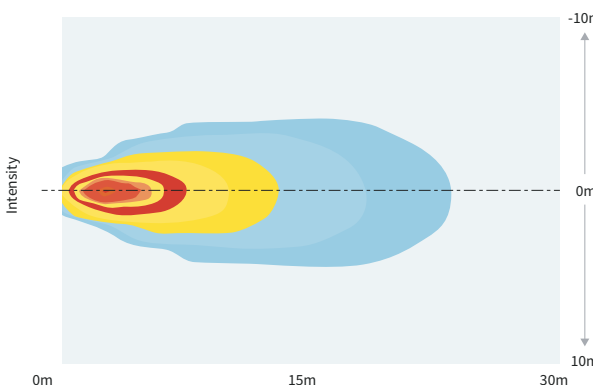


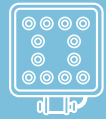
IP67

EMC

Part Number	Connector	Mount	Voltage	Colour	Lumen output	Type	Description
SS/87014	Fly lead - 500mm	Single Bolt - M8	10-30v	White	1400	Work	Oval lamp (8LED), stainless steel mounting bracket
SS/87014Y	Fly lead - 500mm	Single Bolt - M8	10-30v	Amber	1400	Work	Oval lamp (8LED), stainless steel mounting bracket
SS/87914	Fly Lead - 500mm	Omega bracket	10-30v	White	1400	Work	Oval lamp (8 LED) with Omega bracket

SS-87014
Beam Pattern Aerial View





SS/88012

LED Work Lamp

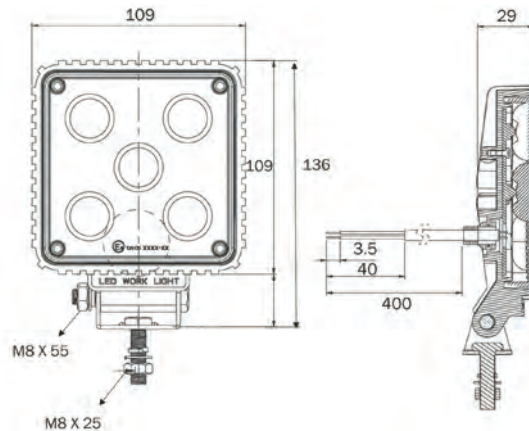
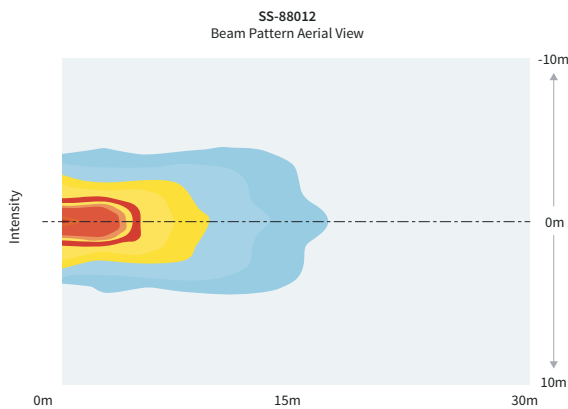


ADR

IP67

EMC

Part Number	Connector	Mount	Voltage	Colour	Lumen output	Type	Description
SS/88012	Fly lead - 400mm	Single Bolt - M8	10-30v	White	1200	Work	Square lamp (5LED)
SS/88012SSF	Superseal Female	Single Bolt - M8	10-30v	White	1200	Work	Square lamp (5LED) - Superseal



SS/88014

LED Work Lamp

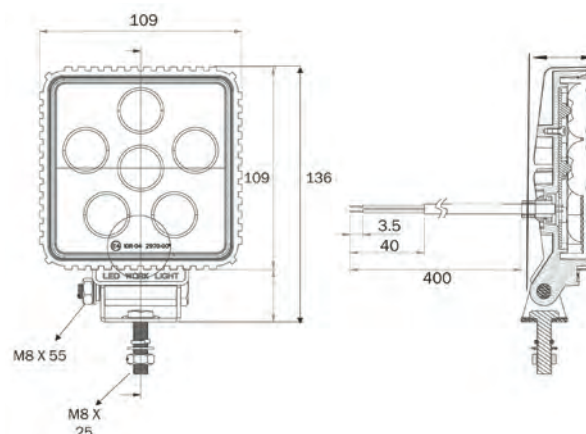
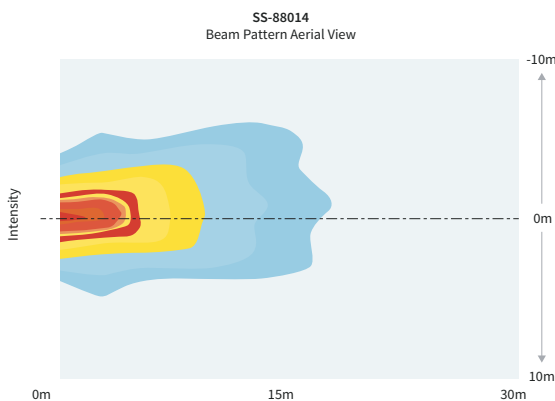


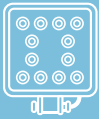
ADR

IP69

EMC

Part Number	Connector	Mount	Voltage	Colour	Lumen output	Type	Description
SS/88014	Fly lead - 400mm	Single Bolt - M8	10-30v	White	1400	Work	Square lamp (6LED)
SS/88014SSF	Superseal Female	Single Bolt - M8	10-30v	White	1400	Work	Square lamp (6LED) - Superseal





Work Lamps

SS/88044

LED Work Lamp



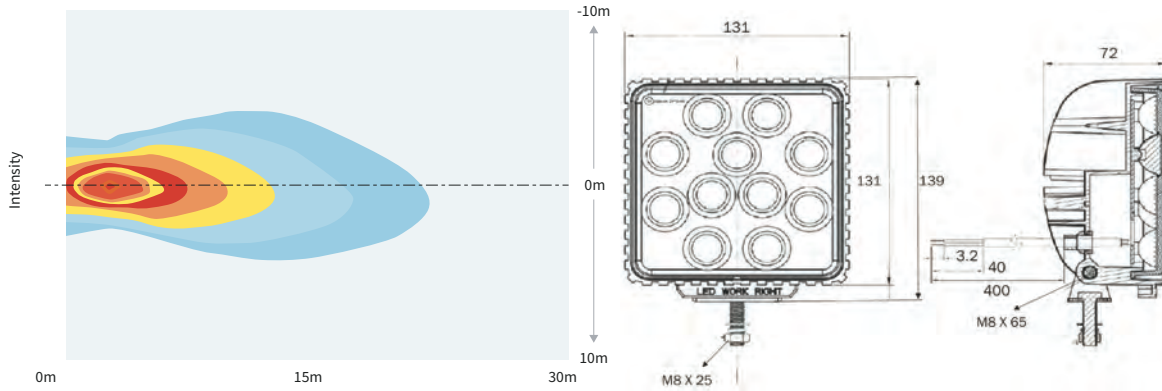
ADR

IP67

EMC

Part Number	Connector	Mount	Voltage	Colour	Lumen output	Type	Description
SS/88044	Fly lead - 400mm	Single Bolt - M8	10-30v	White	4400	Work	Square lamp (11LED)

SS-88044
Beam Pattern Aerial View



SS/88234

LED Work Lamp



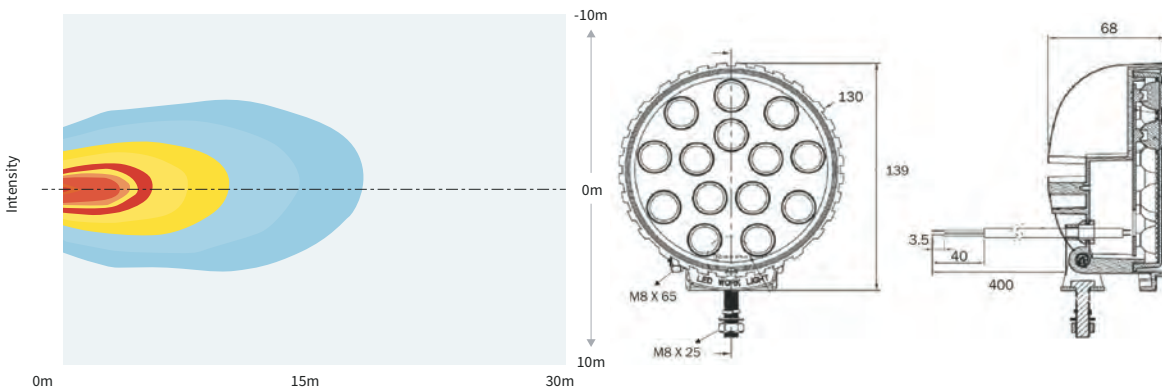
ADR

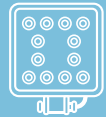
IP67

EMC

Part Number	Connector	Mount	Voltage	Colour	Lumen output	Type	Description
SS/88234	Fly lead - 400mm	Single Bolt - M8	10-30v	White	3400	Work	Round lamp (14LED)

SS-88234
Beam Pattern Aerial View





SS/89016

LED Work Lamp

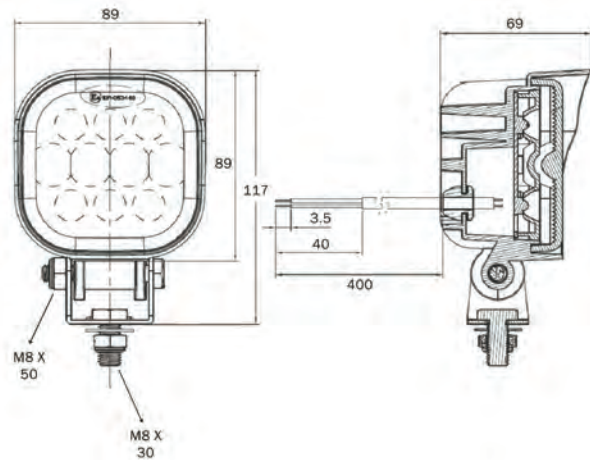
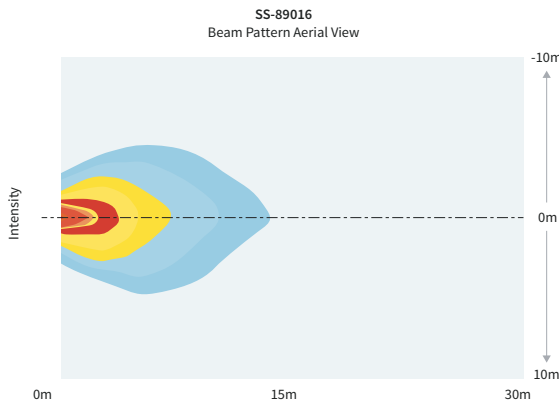


ADR

IP67

EMC

Part Number	Connector	Mount	Voltage	Colour	Lumen output	Type	Description
SS/89016	Fly lead - 400mm	Single Bolt	10-30v	White	1600	Work	Square work lamp (10LED)



SS/89005

High Powered Reverse

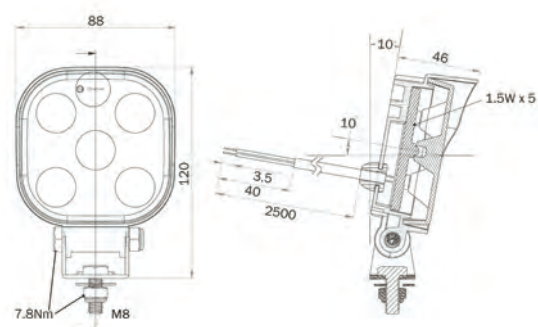
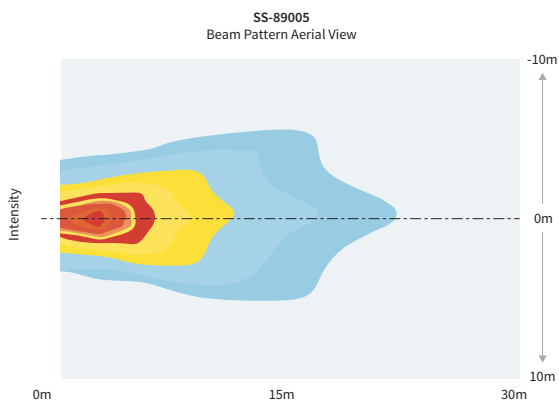


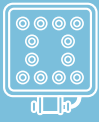
ADR

IP67

EMC

Part Number	Connector	Mount	Voltage	Colour	Lumen output	Type	Description
SS/89005	Fly Lead	Single Bolt	12/24V	White	500	Reverse	Square high powered reverse lamp (5 LED)
SS/89005SSF	Superseal Female	Single Bolt	12/24V	White	500	Reverse	Square high powered reverse lamp (5 LED)





Work Lamps

M56

Work Lamp

Rubbolite®

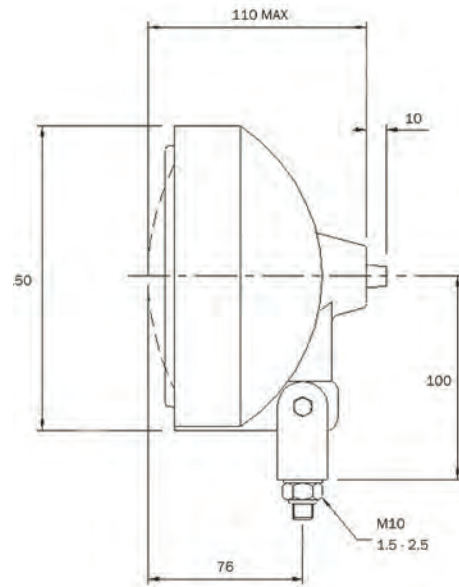
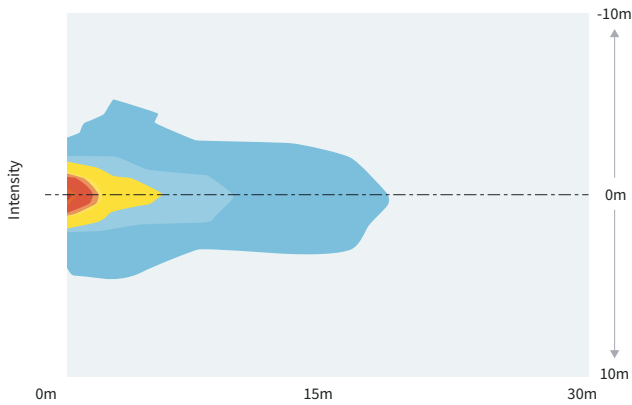


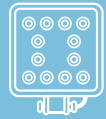
ADR

IP54

Part Number	Connector	Mount	Voltage	Colour	Lumen output	Type	Description
56/01/00	Fly lead - 200mm	Single Bolt - M10	12/24V	Clear	N/A	Work	Double pole work lamp
56/01/01	Fly lead - 220mm	Single Bolt - M10	12/24V	Clear	N/A	Work	Single pole work lamp
56/02/00	Fly lead - 220mm	Single Bolt - M10	12/24V	Clear	N/A	Reverse	Double pole reverse lamp
56/02/01	Fly lead - 220mm	Single Bolt - M10	12/24V	Clear	N/A	Reverse	Single pole reverse lamp
56/03/00	Fly lead - 220mm	Single Bolt - M10	12/24V	Red	N/A	Fog	Double pole fog lamp
56/03/01	Fly lead - 220mm	Single Bolt - M10	12/24V	Red	N/A	Fog	Single pole fog lamp
56/04/00	Fly lead - 220mm	Single Bolt - M10	12/24V	Amber	N/A	Work	Double pole work lamp
56/04/01	Fly lead - 220mm	Single Bolt - M10	12/24V	Amber	N/A	Work	Single pole work lamp
56/07/00	Fly lead - 220mm	Single Bolt - M10	12/24V	Clear	N/A	Work	H3 halogen work lamp (bulb not supplied)

Model 56-01-00
Beam Pattern Aerial View





M673

Rectangular Work Lamp

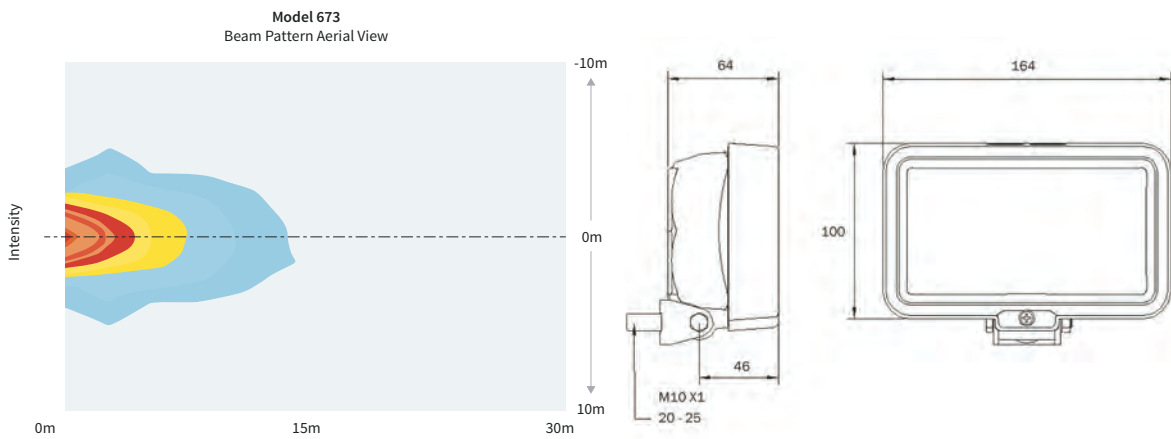
Rubbolite®

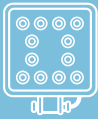


IP54

Part Number	Connector	Mount	Voltage	Colour	Lumen output	Type	Description
673/02/00	Cable entry	M10	12/24V	White	N/A	Work	Rectangular work lamp, H3 bulb
673/02/01			12/24V		N/A		

Part Number	Spares
4198	Bulb H3 12V 55w
86038	M673 lens Assy





Headlamps

TL/27 LED Headlamp

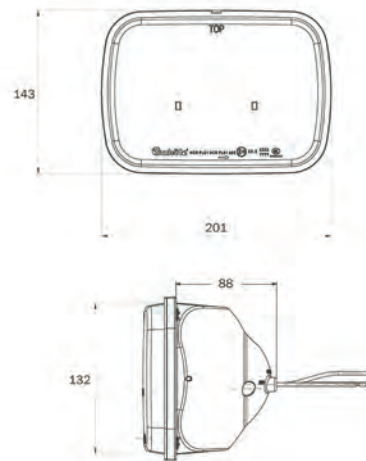
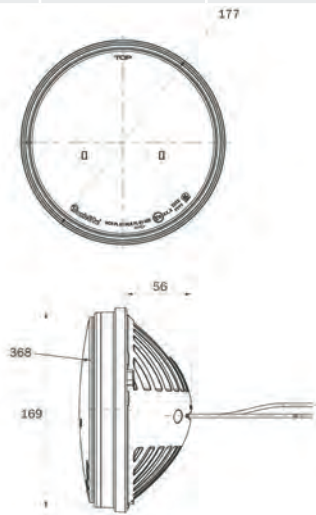
Rubbolite®



10-30V

IP67

Part Number	Connector	Handed	Shape	Description
TL/27290C	H4	→	Round	Round LED headlamp, ECE approved
TL/27291C	H4	←	Round	Round LED headlamp, ECE approved
TL/27490C	H4	→	Rectangle	LED headlamp, ECE approved
TL/27491C	H4	←	Rectangle	LED headlamp, ECE approved



M635 Teardrop Headlamp

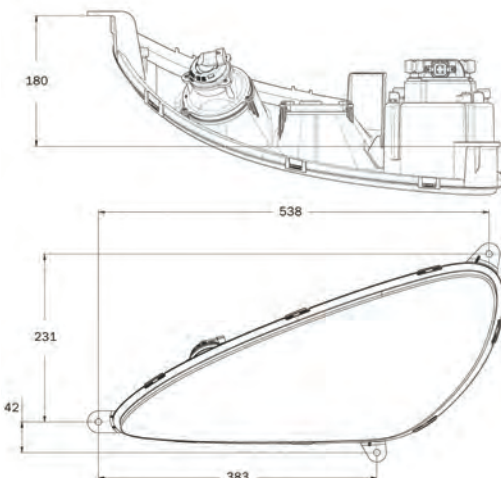
Rubbolite®



12V

IP54

Part Number	Connector	Handed	Shape	Description
635/01/04	Custom CNH	→	Teardrop	Bulb headlamp for R/H traffic
635/01/05	Custom CNH	←	Teardrop	Bulb headlamp for R/H traffic
635/51/04	Custom CNH	→	Teardrop	Bulb headlamp for L/H traffic
635/51/05	Custom CNH	←	Teardrop	Bulb headlamp for L/H traffic



Interior Lamps



FOR (E11)
10411

89735

MODEL 707

REG. PAT. MAR. 10 1903

©



TL/80

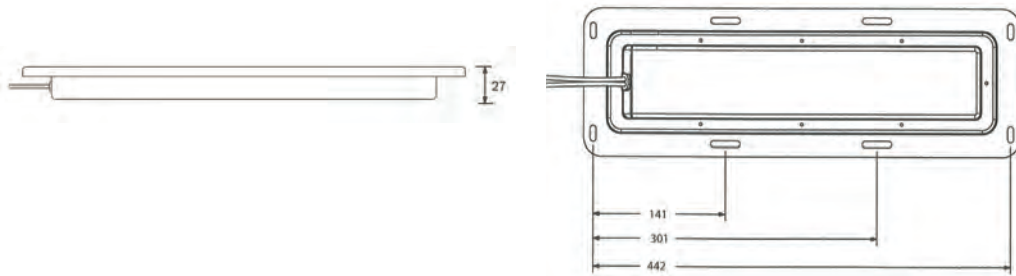
Interior Lamp



ADR

IP67

Part Number	Mount	Lumen output	Voltage	Description
TL/80250C	Recess ↔ ↓	950	12/24V	LED lamp, fly lead connector, 160mm harness
TL/80251C	Recess ↔ ↓	950	12V	LED lamp, fly lead connector, 160mm harness



M708

Interior Lamp with Motion Sensor



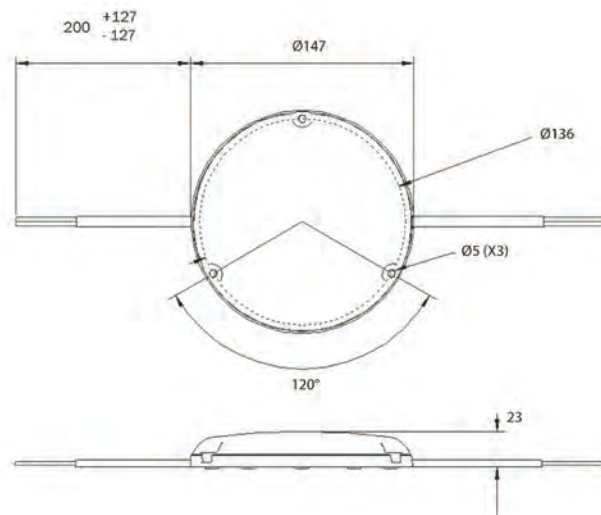
ADR

IP68

EMC

Part Number	Mount	Lumen output	Voltage	Description
708/03/35	Surface	300	12/24V	LED lamp, 5 watts, fly lead connector, 0.2m harness
708/05/35	Surface	500	12/24V	LED lamp, 5 watts, fly lead connector, 0.2m harness
708PIR/03/35	Surface	300	12/24V	LED lamp, 5 watts, fly lead connector, 0.2m harness, with integrated motion sensor
708PIR/05/35	Surface	500	12/24V	LED lamp, 5 watts, fly lead connector, 0.2m harness, with integrated motion sensor

Part Number	Spares
89475	Recess mounting bezel





M707

Interior Lamp Dual Voltage

Rubbolite®

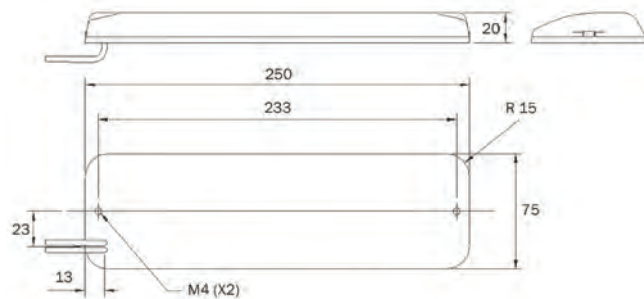


ADR

IP68

EMC

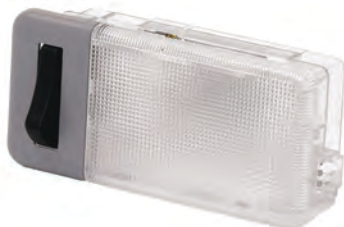
Part Number	Mount	Lumen output	Voltage	Description
707/01/08	Surface ↔ ↓		12/24V	LED lamp, fly lead connector, 250mm harness, 15 watts
707/04/08	Surface ↔ ↓		12/24V	LED lamp, fly lead connector, 250mm harness, 6 watts



M604

Interior Lamp

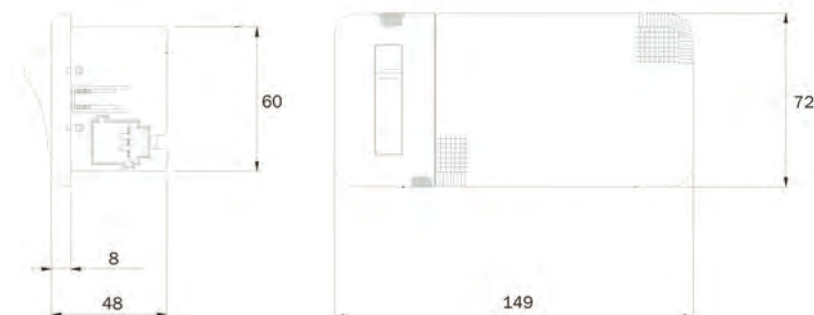
Rubbolite®



ADR

IP54

Part Number	Mount	Lumen output	Voltage	Description	OE X Ref.
604/11/00	Clip in		12/24V	Small floodlight, clear lens with switch	Volvo: 3891445, 20379003
604/14/00	Clip in		12/24V		Volvo: 20376361
604/23/00	Clip in		12/24V	Small floodlight, red lens with switch	Volvo: 3981448, 20379006
604/25/00	Clip in		12/24V	Small eyeball lamp with switch	Volvo: 3981447, 20379005

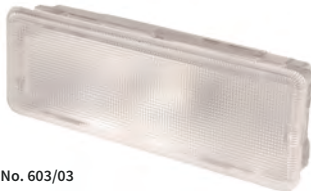




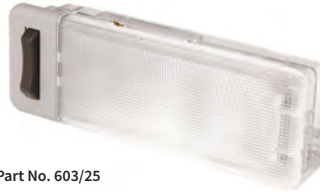
M603

Interior Lamp

Rubbolite®



Part No. 603/03



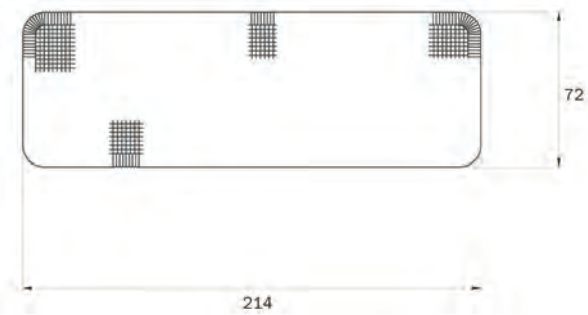
Part No. 603/25



ADR

IP54

Part Number	Mount	Lumen output	Voltage	Description	OE X Ref.
603/03/00	Clip in		24V	Large floodlight with red ambient light	Volvo: 3981450, 20379008
603/23/00	Clip in		12/24V	Large floodlight with switch	Volvo: 3981451, 20379009
603/25/00	Clip in		12/24V	Large floodlight with adjustable eyeball lamp with 2 switches	Volvo: 3981453, 20379011



M552

Switched Underbonnet/Interior Lamp

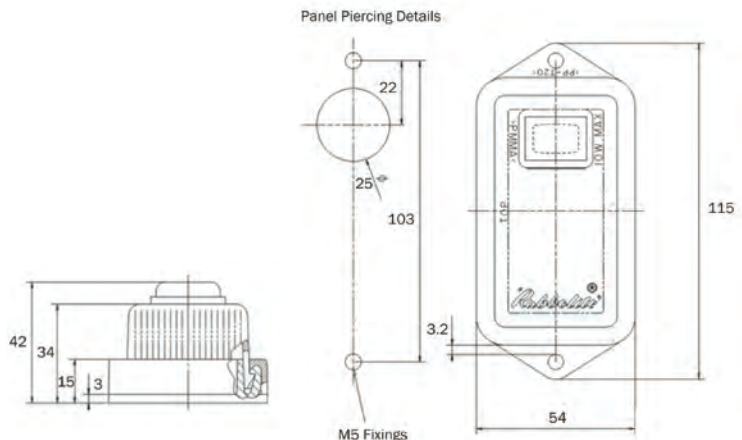
Rubbolite®



ADR

IP54

Part Number	Mount	Lumen output	Voltage	Description
552/01/00	Surface		12/24V	Switched lamp, cable entry connector
552/01/02			12V	Switched lamp, cable entry connector
552/01/04			24V	Switched lamp, cable entry connector
552/01/14			12V	Switched lamp, fly lead connector, 250mm harness





M442

Puddle Lamp

Rubbolite®

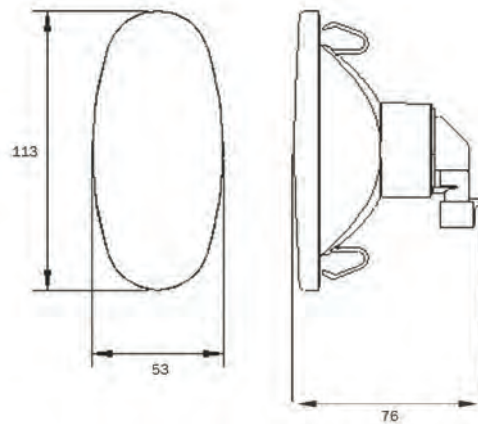


ADR

IP54

Part Number	Mount	Lumen output	Voltage	Description
442/01/04	Recess		12V	Bulb - R10W 12v SCC, superseal connector

Part Number	Spares
3527A	Bulb R19/10 SCC 12V/10W
82714	Tyco connector kit SSM 2 way



M441

Puddle Lamp

Rubbolite®

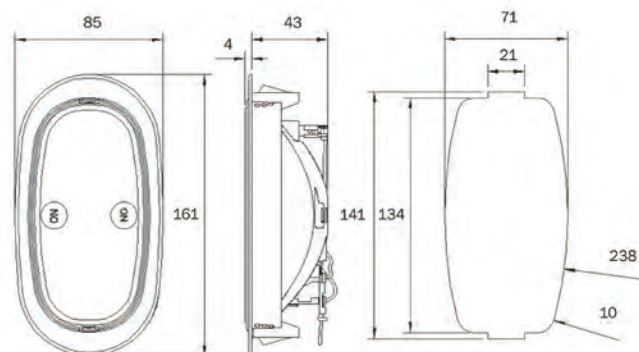


ADR

IP54

Part Number	Mount	Lumen output	Voltage	Description
441/01/04	Recess ↔ ↓		12V	Bulb - R10W 12v SCC, superseal connector

Part Number	Spares
3527A	Bulb R19/10 SCC 12V/10W
82714	Tyco connector kit SSM 2 way





M440

Interior Lamp

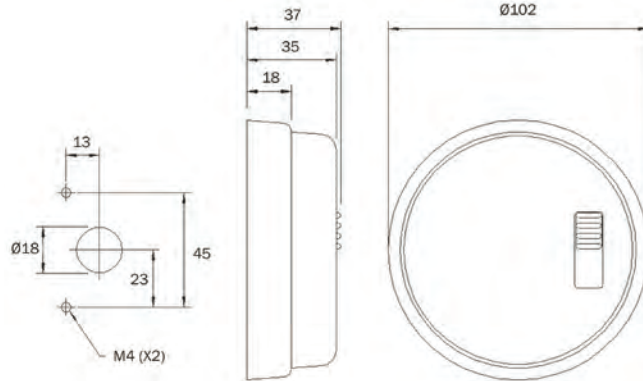
Rubbolite®



ADR

IP54

Part Number	Mount	Lumen output	Voltage	Description
440/01/02	Surface ↔ ↓		12V	Interior lamp with 3 way switch, cable entry connector, festoon bulb - C11 12v/10w



M300

Interior Lamp

Rubbolite®

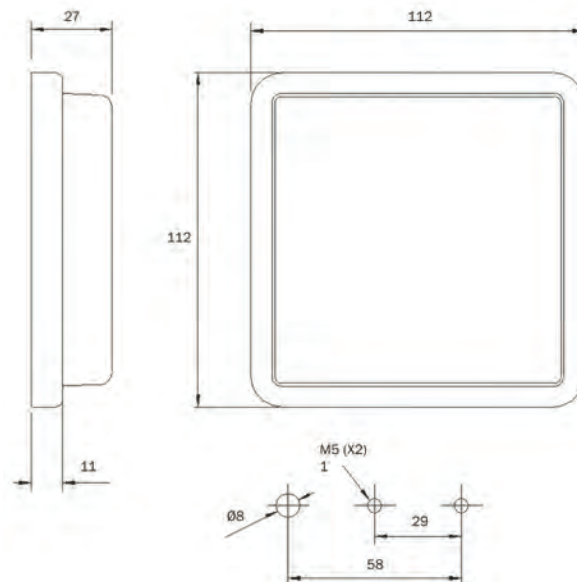


ADR

IP54

Part Number	Mount	Lumen output	Voltage	Description
300/01/00	Surface ↔ ↓		12V	Square lamp, cable entry connector, festoon bulb - 10w
300/01/04	Surface ↔ ↓		24V	Square lamp, cable entry connector, festoon bulb - 10w

Part Number	Spares
5653	M300 interior lens
5655	Baseplate
5680	24V 10w festoon bulb

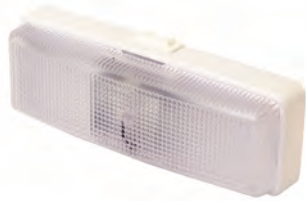




M98

Interior Lamp

Rubbolite®

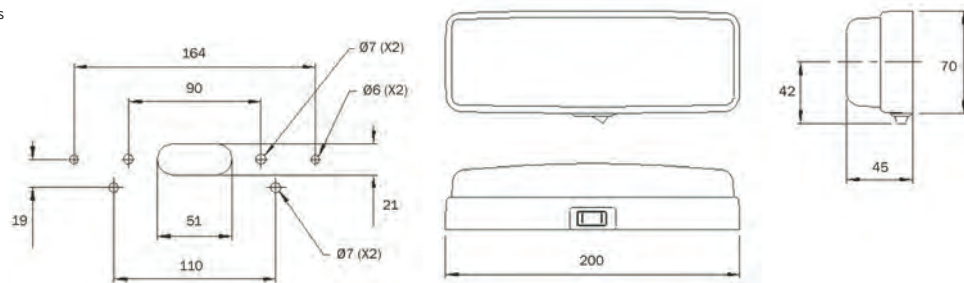


ADR

IP54

Part Number	Mount	Lumen output	Voltage	Description
98/02/00	Horizontal surface		12/24V	3 way switch, cable entry connector
98/52/00	Horizontal surface		12/24V	2 way switch, cable entry connector

Part Number	Spares
3721	M98 lens



M33

Interior Lamp

Rubbolite®

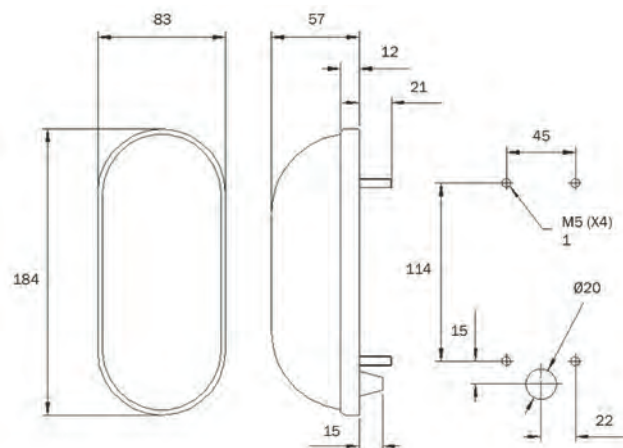


ADR

IP54

Part Number	Mount	Lumen output	Voltage	Description
33/01/04	Surface			Cable entry connector

Part Number	Spares
1104	Lampholder SP
1133	M33 opal lens





See & Be Seen®

OWN THE NIGHT™

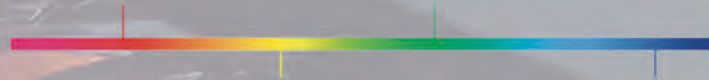
The RIGID® Adapt™ LED Light Bars are the world's first off-road lighting products that can change instantly according to conditions.

Adapt offers 8 selectable beam patterns that range from a 90 degree broad short-distance beam to a highly focused 15 degree long-distance spot beam in a single fixture.

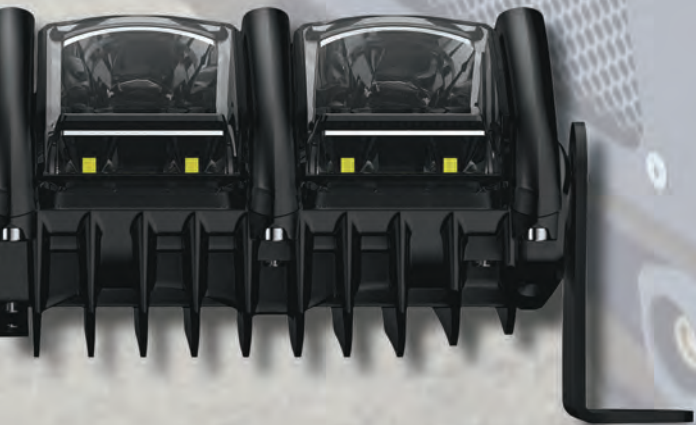
It also includes RIGID's new Active View™ Technology, which allows the beam pattern to actively adjust with vehicle speed.

'Selectable RGB-W Accent Lighting with User-Configurable Colours'

RIGID® ADAPT™



Adapt Dash Switch



Available in 10", 20", 30", 40" and 50"

THE WORLD'S FIRST...

**OFF-ROAD LIGHTING PRODUCTS
THAT CAN CHANGE INSTANTLY
ACCORDING TO CONDITIONS**

Warning Lamps





M563

Amber Beacon

“Rubbolite”®

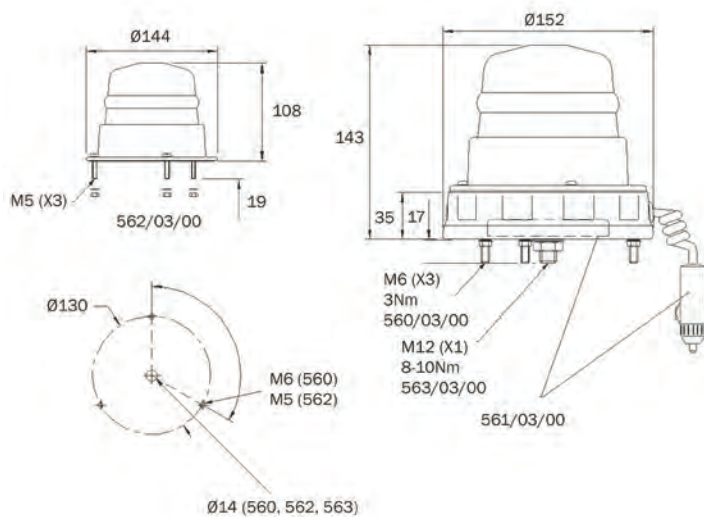


IP56

EMC

Part Number	Mount	Connector	Voltage	Colour	Rotating	Flashing	Reg 65	Description
563/03/00	Single bolt	Fly lead	10/72V	Amber		Single		Xenon amber beacon, EMC approved. 160mm harness
562/03/00	3-bolt low profile	Fly lead	10/72V	Amber		Single		Xenon amber beacon, EMC approved. 160mm harness
561/03/00	Magnetic	Cigar lighter plug	10/72V	Amber		Single		Xenon magnetic amber beacon, EMC approved. 3m harness
560/03/00	3-bolt	Fly lead	10/72V	Amber		Single		Xenon amber beacon, EMC approved. 160mm harness

Part Number	Spares
7771	Amber lens
7817	Circuit xenon detach tube
7820	Tube





M156

Varipod Lamp

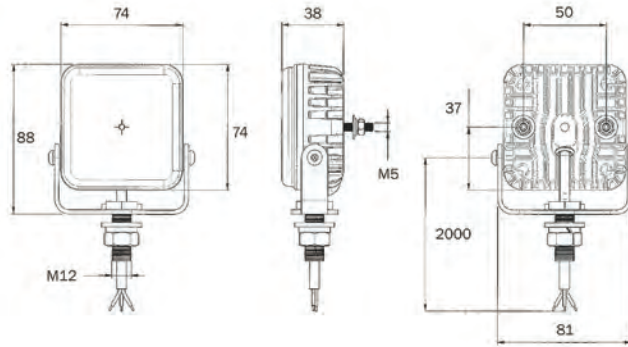


ADR

IP69

EMC

Part Number	Mount	Connector	Voltage	Colour	Rotating	Flashing	Reg 65	Description
156/03/00	Bracket/surface mount	Fly lead	12/24V	Amber		10 patterns	✓	LED Varipod lamp, EMC approved. 200mm harness
156/13/00	Bracket/surface mount	Fly lead	12/24V	Blue		10 patterns		LED Varipod lamp, EMC approved. 200mm harness
156/23/00	Bracket/surface mount	Fly lead	12/24V	Red		10 patterns		LED Varipod lamp, EMC approved. 200mm harness
156/33/00	Bracket/surface mount	Fly lead	12/24V	White		10 patterns		LED Varipod lamp, EMC approved. 200mm harness
156/43/00	Bracket/surface mount	Fly lead	12/24V	Green		10 patterns		LED Varipod lamp, EMC approved. 200mm harness



M155

Varipod Lamp

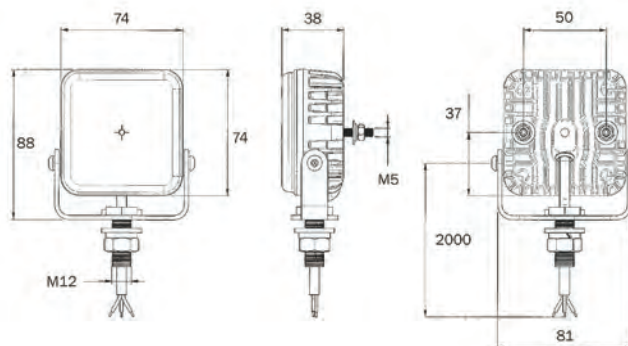


ADR

IP69

EMC

Part Number	Mount	Connector	Voltage	Colour	Rotating	Flashing	Reg 65	Description
155/03/00	Bracket/surface mount	Fly lead	12/24V	Amber		Single	✓	LED Varipod lamp, EMC approved. 200mm harness
155/13/00	Bracket/surface mount	Fly lead	12/24V	Blue		Single		LED Varipod lamp, EMC approved. 200mm harness
155/23/00	Bracket/surface mount	Fly lead	12/24V	Red		Single		LED Varipod lamp, EMC approved. 200mm harness
155/33/00	Bracket/surface mount	Fly lead	12/24V	White		Single		LED Varipod lamp, EMC approved. 200mm harness





M153

Halogen Rotating Beacon



ADR



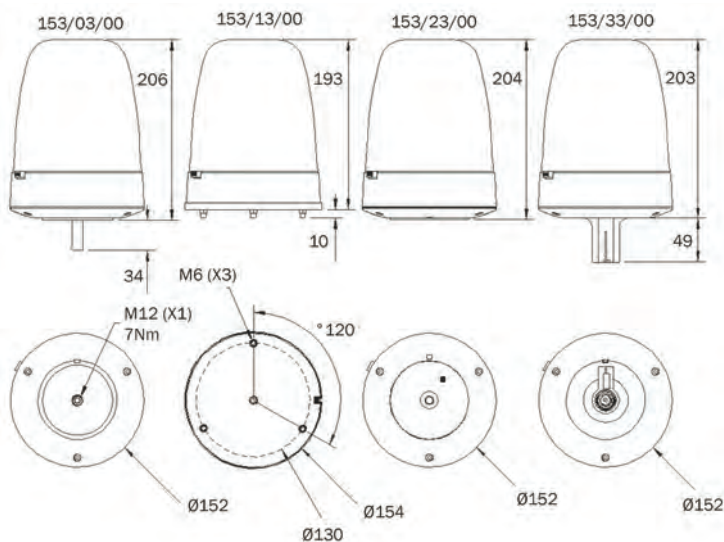
IP54



EMC

Part Number	Mount	Connector	Voltage	Colour	Rotating	Flashing	Reg 65	Description
153/03/00	Single bolt	Fly lead	12/24V	Amber	✓		✓	Halogen rotating beacon, EMC approved. 152mm harness
153/13/00	3-bolt	Fly lead	12/24V	Amber	✓		✓	Halogen rotating beacon, EMC approved. 152mm harness
153/23/00	Magnetic	Cigar lighter plug	12/24V	Amber	✓		✓	Halogen rotating beacon, EMC approved. 2.5m harness
153/33/00	DIN	DIN mount	12/24V	Amber	✓		✓	Halogen rotating beacon, EMC approved. 2.5m harness with DIN pole mount

Part Number	Spares
5717	Bulb retaining spring
89773A	Amber lens
89800A	Spare belt
92955	Green lens





M152, M151, M150

Halogen Rotating Beacon

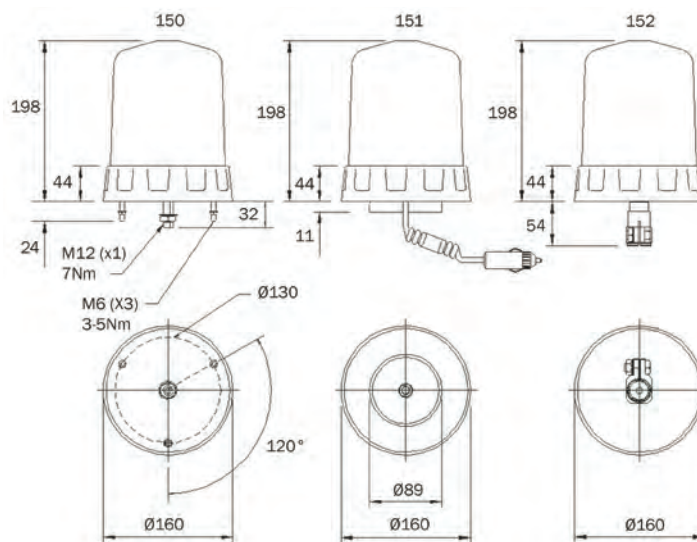


IP54

EMC

Part Number	Mount	Connector	Voltage	Colour	Rotating	Flashing	Reg 65	Description
150/03/00	Single Bolt	Single Bolt	12/24V	Amber	✓		✓	Halogen rotating beacon, EMC approved
151/03/00	Magnetic	Cigar lighter plug	12/24V	Amber	✓		✓	Halogen rotating magnetic beacon, EMC approved. 3m harness
152/03/00	Single Bolt	Single Bolt	12/24V	Amber	✓		✓	Halogen rotating beacon, EMC approved

Part Number	Spares
5096	Amber lens
5097	Blue lens
5196	Magnetic base kit
5369	DIN A mounting kit
5717	Bulb retaining spring
5857	Drive belt
5874	Drive assembly





Warning Lamps

M148

LED Beacon



ADR

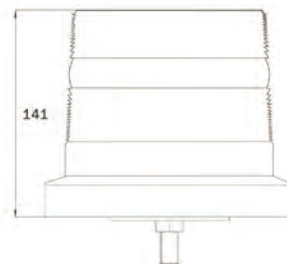
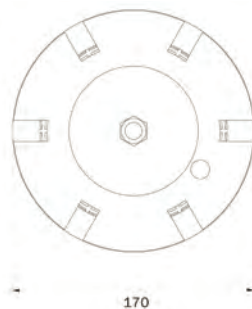


IP69



EMC

Part Number	Mount	Connector	Voltage	Colour	Rotating	Flashing	Reg 65	Description
148LED/03/00	Single bolt	Fly lead	10/30V	Amber		11 patterns	✓	LED beacon, EMC approved. 350mm harness
148LED/13/00	3-bolt	Fly lead	10/30V	Amber		11 patterns	✓	LED beacon, EMC approved. 350mm harness
148LED/23/00	Magnetic	Cigar lighter plug with switch	10/30V	Amber		11 patterns	✓	LED beacon, EMC approved. 3m harness
148LED/33/00	DIN A	DIN A	10/30V	Amber		11 patterns	✓	LED beacon, EMC approved
148LED/43/00	3 screws - low profile	Fly lead	10/30V	Amber		11 patterns	✓	LED beacon, EMC approved. 350mm harness



M146

Halogen Rotating Beacon



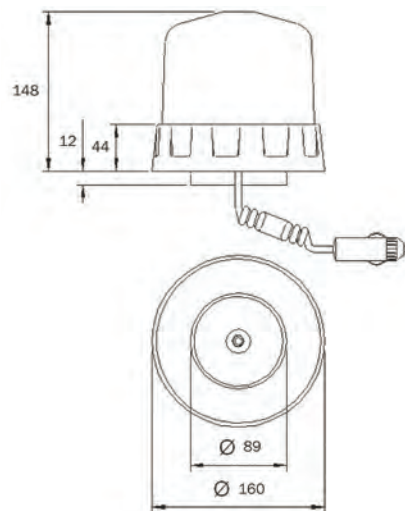
IP54



EMC

Part Number	Mount	Connector	Voltage	Colour	Rotating	Flashing	Reg 65	Description
146/52/00	Magnetic	Cigar lighter plug	12/24V	Amber	✓	Single		Bulbed magnetic beacon, bulb 21w or 36w (not supplied)

Part Number	Spares
5196	Magnetic base kit
5768	Amber lens
7056	Pcb assy 21w beacon
7069	Lampholder 21w beacon 2





M144

Beacon

“Rubbolite”®

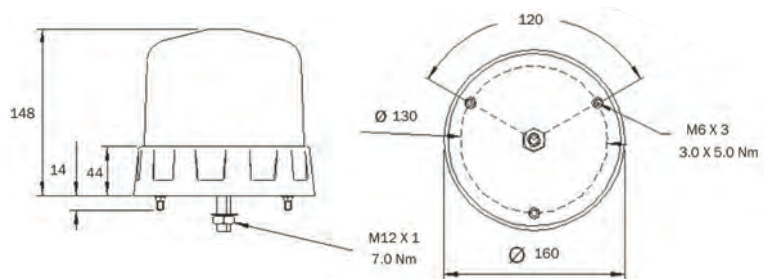


IP54

EMC

Part Number	Mount	Connector	Voltage	Colour	Rotating	Flashing	Reg 65	Description
144/52/00	3/single bolt	Cable entry	12/24V	Amber		Single		Bulbed beacon, bulb 21w or 36w (not supplied)

Part Number	Spares
5768	Amber lens
7056	PCB assy 21w beacon



SS/14

LED Beacon

(Signal-Stat)

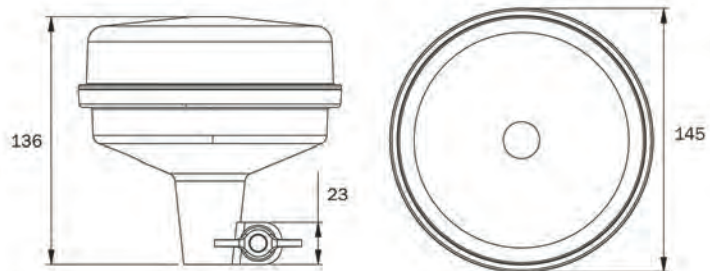


ADR

IP69

EMC

Part Number	Mount	Connector	Voltage	Colour	Rotating	Flashing	Reg 65	Description
SS/14023	Flexi-DIN	Flexi-DIN	10-30V	Amber		✓	✓	





Warning Lamps

SS/13

LED Multifunction Varipod

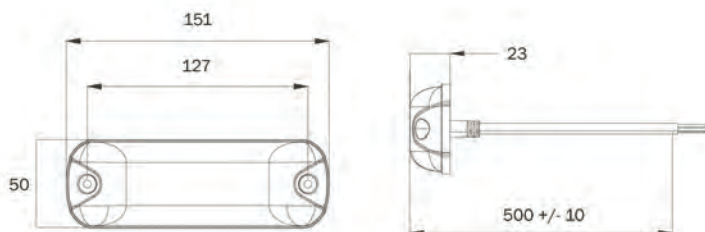


ADR

IP69

EMC

Part Number	Mount	Connector	Voltage	Colour	Rotating	Flashing	Reg 65	Description
SS/13003	Surface mount	Fly lead	10-30V	Amber		7 patterns	✓	500mm harness, suitable for front & rear



SS/12

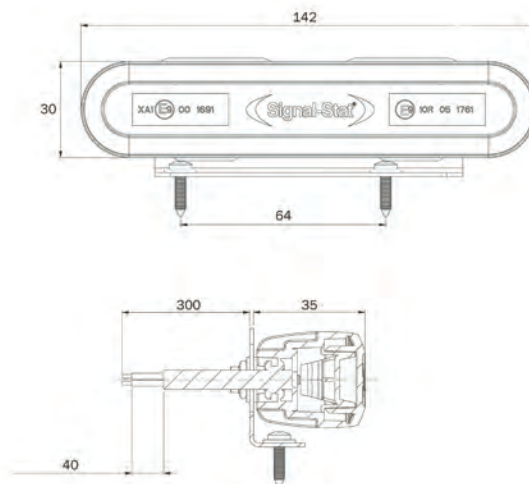
LED Slimline Varipod



IP69

EMC

Part No.	Mount	Connector	Voltage	Colour	Rotating	Flashing	Reg 65	Desc
SS/12003	Bracket	Fly lead	12/24V	Amber		10 patterns	✓	Slimline flashing varipod, 0.3m harness





SS/11

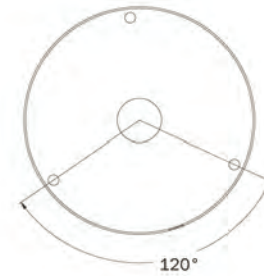
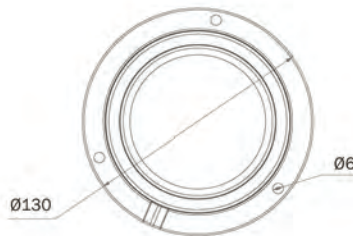
Low Profile LED Beacon



IP67

EMC

Part Number	Mount	Connector	Voltage	Colour	Rotating	Flashing	Reg 65	Description
SS/11013	3-bolt	Fly lead	12/24V	Amber		7 patterns		EMC approved
SS/11023	Magnetic	Cigar lighter plug with switch	12/24V	Amber		7 patterns		EMC approved



SS/10

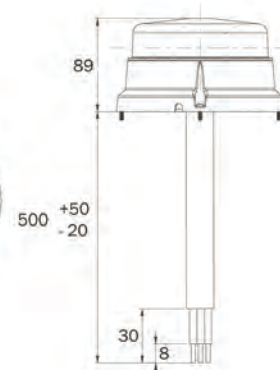
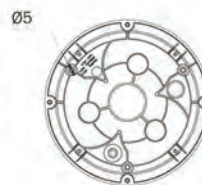
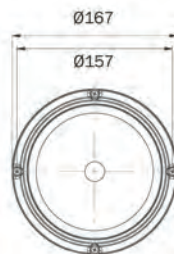
LED Beacon



IP67

EMC

Part Number	Bolt Fixing	Connector	Voltage	Colour	Rotating	Flashing	Reg 65	Description
SS/10013	4-bolt	Fly lead	12/24V	Amber	✓	10 patterns	✓	Clear lens beacon with amber LEDs
SS/10023	Magnetic	Cigar lighter plug with switch	12/24V	Amber	✓	10 patterns	✓	Clear lens beacon with amber LEDs
SS/1023A	3-bolt	2.5m ADR cable	12/24V	Amber	✓	10 patterns	✓	Clear lens beacon with amber LEDs





A GLOBAL LEADER
IN **VISION SYSTEMS**
TECHNOLOGY



Rubbolite[®]

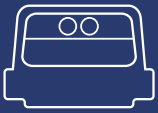
Signal-Stat[®]

RIGID

Truck-Lite[®]

Numberplate Lamps & Holders





Numberplate Lamps & Holders

M833

LED Numberplate Lamp

Rubbolite[®]

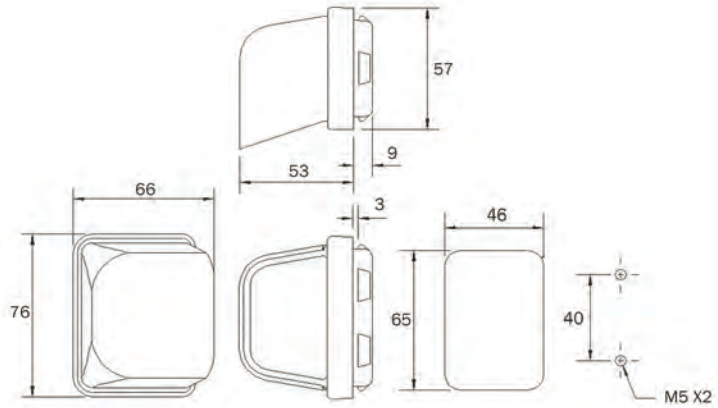


ADR

IP54

EMC

Part Number	Connector	Harness Length	Voltage	Description
833/11/04	Cable entry		12/24V	Rear LED numberplate lamp



M647

Numberplate holder with LED Lamps

Rubbolite[®]

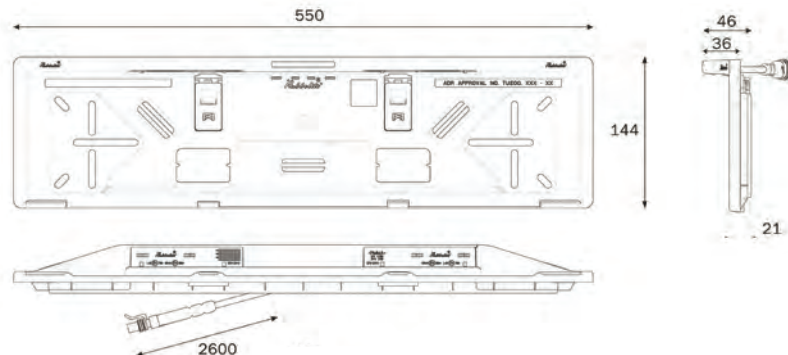


ADR

IP69

EMC

Part Number	Connector	Harness Length	Voltage	Description
647/01/04	Harness +SS	2.5m	12/24V	LED rear numberplate holder with lamps
647/01/05	Harness +SS	1m	12/24V	LED rear numberplate holder with lamps
647/01/08	Harness +SS	1.5m	12/24V	LED rear numberplate holder with lamps
647/01/18	Harness + click in	1.5m	12/24V	LED rear numberplate holder with lamps
647/51/05	Harness +SS	1m	12/24V	LED rear numberplate holder with lamps and sensor





M645

Numberplate Holder & Lamp

Rubbolite®

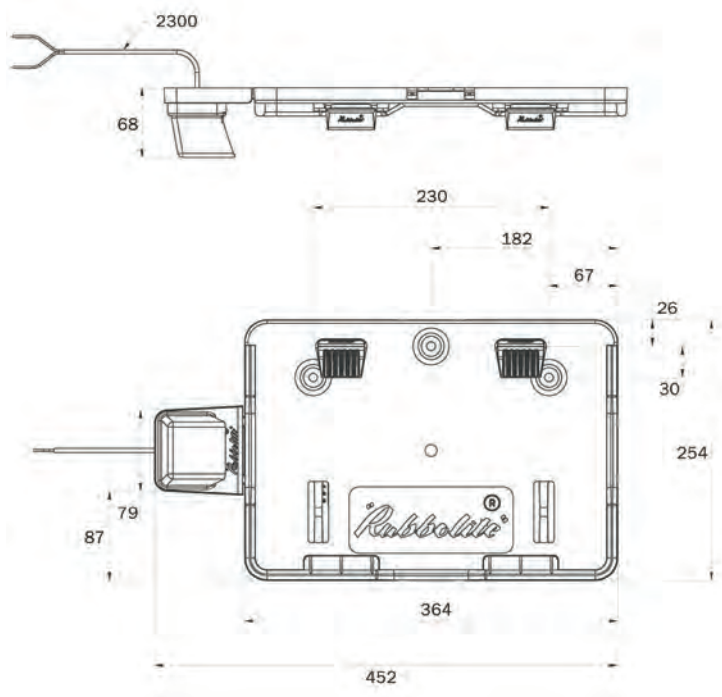


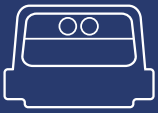
ADR

IP54

Part Number	Connector	Harness Length	Voltage	Description
645/01/00				Rear numberplate holder, square
645/134/13	Fly lead	2.3m	24V	Rear numberplate holder, square, with lamp
645/833/13	Fly lead	2.3m	12/24V	Rear numberplate holder, square, with LED lamp

Part Number	Spares
134/04/13	Rear numberplate lamp, 24V, fly lead 2.3m
5423	Lampholder assy SP
833/11/04	LED rear numberplate lamp, 12/24V
83368	Lens housing





Numberplate Lamps & Holders

M136

Numberplate Lamp

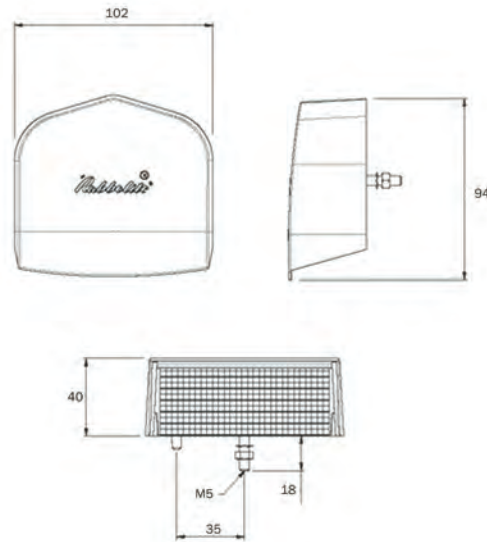
Rubbolite[®]



ADR

IP54

Part Number	Connector	Harness Length	Voltage	Description
136/01/05	SS male	0.5m	24V	Numberplate lamp, bulb R10w 24V SCC



M134

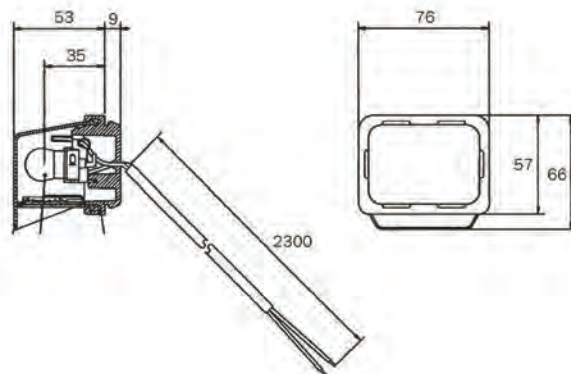
Numberplate Lamp

Rubbolite[®]



IP54

Part Number	Connector	Harness Length	Voltage	Description
134/04/13	Fly lead	2.3m	24V	Rear numberplate lamp





M133

Numberplate Lamp

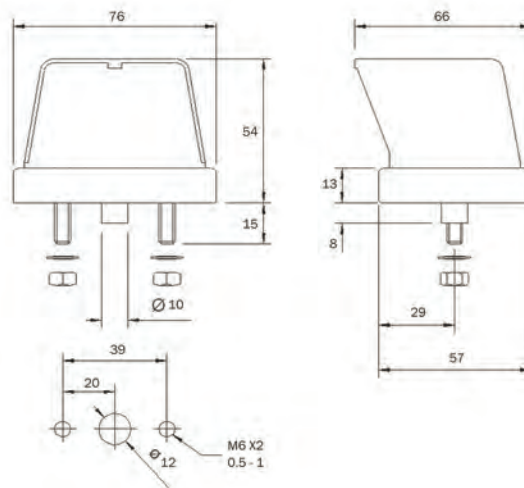
Rubbolite®



IP54

Part Number	Connector	Harness Length	Voltage	Description
133/01/00	Fly lead	200mm	24V	Rear numberplate lamp, single pole
133/01/50	Fly lead	200mm	24V	Rear numberplate lamp, double pole

Part Number	Spares
5058	Lens/housing assy
5423	Lampholder assy SP
5609	Lampholder assy DP



M100

Numberplate Lamp

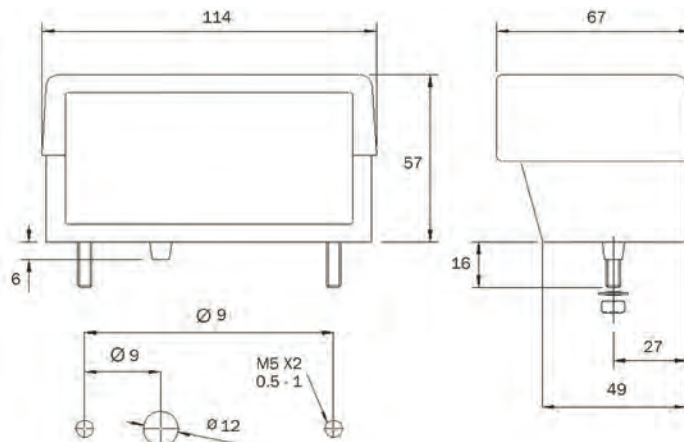
Rubbolite®

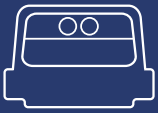


IP54

Part Number	Connector	Harness Length	Voltage	Description
100/03/01	Cable entry		12/24V	Rear numberplate lamp, single bulb SP
100/04/00	Cable entry		12/24V	Rear numberplate lamp, twin bulb DP
100/04/01	Cable entry		12/24V	Rear numberplate lamp, twin bulb SP

Part Number	Spares
1612	Lampholder assy DP twin bulb
2190	Lampholder assy SP twin bulb
2556	Lampholder assy SP single bulb
3707A	Clear lens



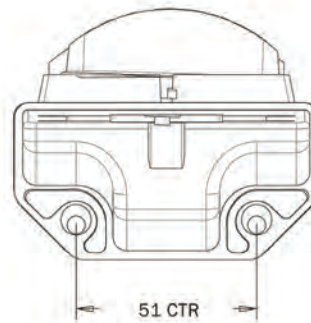
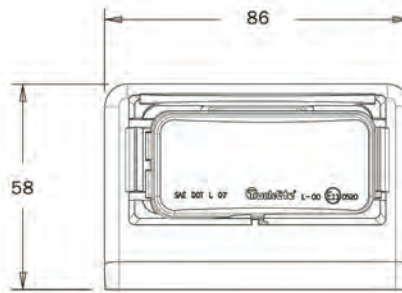


TL/15

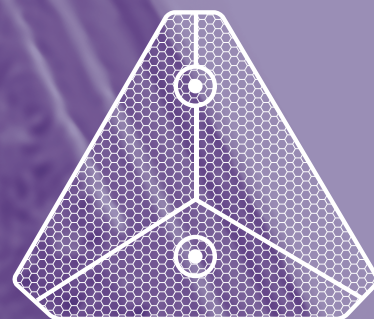
Numberplate Lamp



Part Number	Connector	Harness Length	Voltage	Description
TL/15041	Fly lead	86?	12V	LED numberplate lamp, black bracket
TL/15043	Fly lead	86?	24V	LED numberplate lamp, black bracket
TL/15905	Fly lead	86?	24V	LED lamp only



Reflectors





Reflectors

M939

Conspicuity Marking Tape

Rubbolite[®]

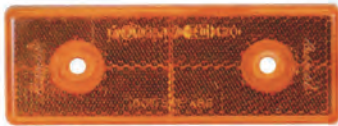


Part Number	Colour	Rigid	Tanker	Curtain	Segments	Description
93983W	White	✓				Front & side marking tape (50m reel)
93983Y	Amber	✓				Side & rear marking tape (50m reel)
93983R	Red	✓				Rear marking tape (50m reel)
93983SW	White		✓		✓	Front & side marking tape (50m reel)
93983SY	Amber		✓		✓	Side & rear marking tape (50m reel)
93983SR	Red		✓		✓	Rear marking tape (50m reel)
93997W	White			✓		Front & side marking tape (50m reel)
93997Y	Amber			✓		Side & rear marking tape (50m reel)
93997R	Red			✓		Rear marking tape (50m reel)
93997SW	White			✓	✓	Front & side marking tape (50m reel)
93997SY	Amber			✓	✓	Side & rear marking tape (50m reel)
93997SR	Red			✓	✓	Rear marking tape (50m reel)

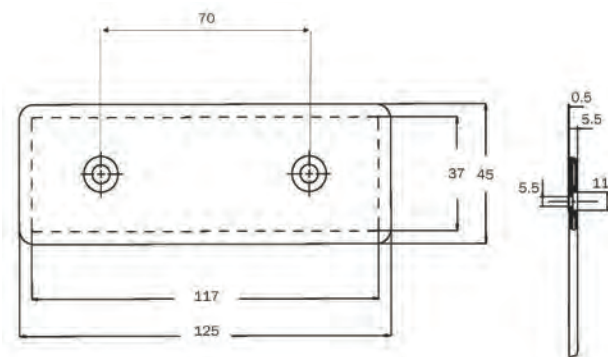
M430

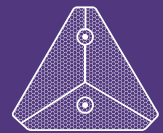
Screw Fix Rectangular Reflector

Rubbolite[®]



Part Number	Shape	Colour	Description
430/01/00	Rectangle	Red	125x45mm with reflex
430/02/00	Rectangle	Amber	125x45mm with reflex
430/03/00	Rectangle	White	125x45mm with reflex





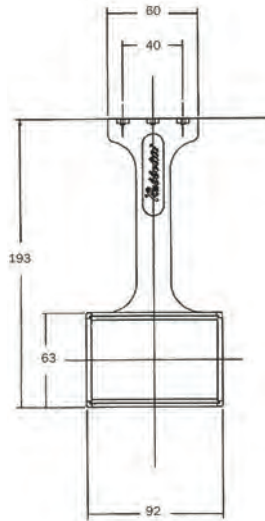
M174

Long Pendant Reflector

Rubbolite[®]



Part Number	Shape	Colour	Description
174/01/00	Rectangle	Red	92x63mm with reflex
174/03/00	Rectangle	Amber	92x63mm with reflex



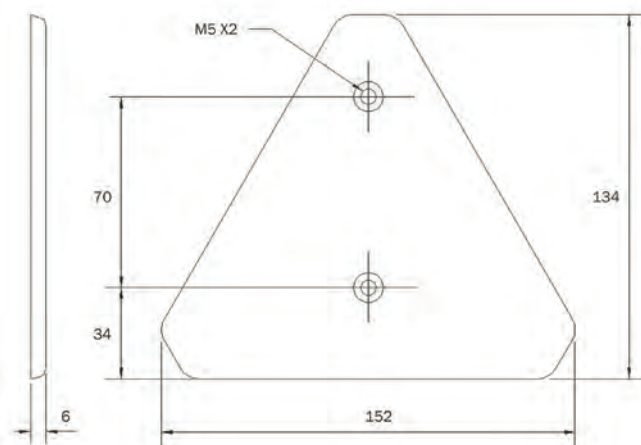
M171

Triangular Reflex Reflector

Rubbolite[®]



Part Number	Shape	Colour	Description
171/01/00	Triangle	Red	152x134, 70, vertical fixing centres





Reflectors

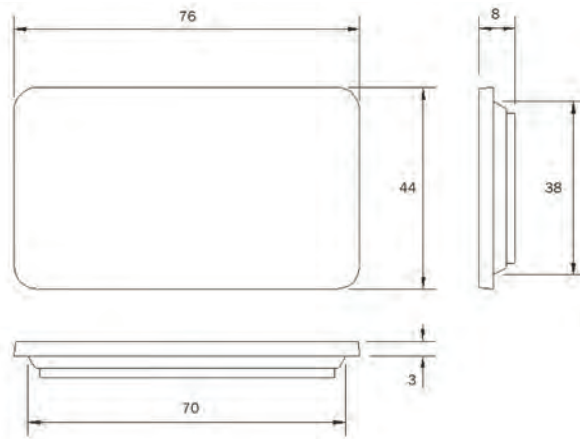
M94

Self Adhesive Reflectors

Rubbolite[®]



Part Number	Shape	Colour	Description
94/01/00	Rectangle	Red	76x44mm with reflex
94/02/00	Rectangle	Amber	76x44mm with reflex
94/03/00	Rectangle	White	76x44mm with reflex



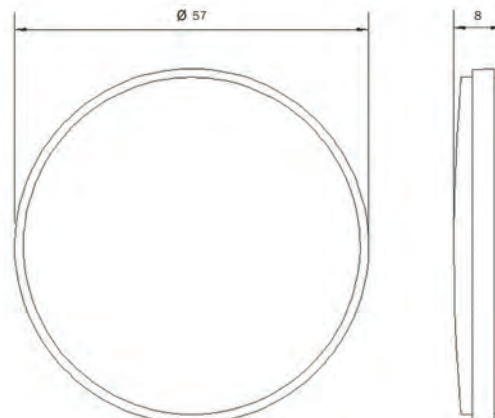
M92

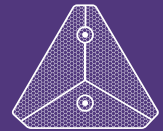
Self Adhesive Reflectors

Rubbolite[®]



Part Number	Shape	Colour	Description
92/01/00	Circle	Red	57mm diameter, with reflex
92/02/00	Circle	Amber	57mm diameter, with reflex
92/03/00	Circle	White	57mm diameter, with reflex





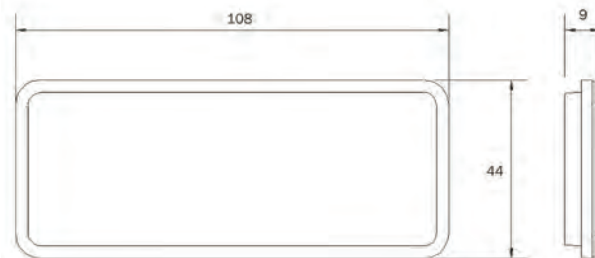
M91

Self Adhesive Reflectors

Rubbolite[®]



Part Number	Shape	Colour	Description
91/01/00	Rectangle	Red	108x44mm with reflex
91/02/00	Rectangle	Amber	108x44mm with reflex
91/03/00	Rectangle	White	108x44mm with reflex



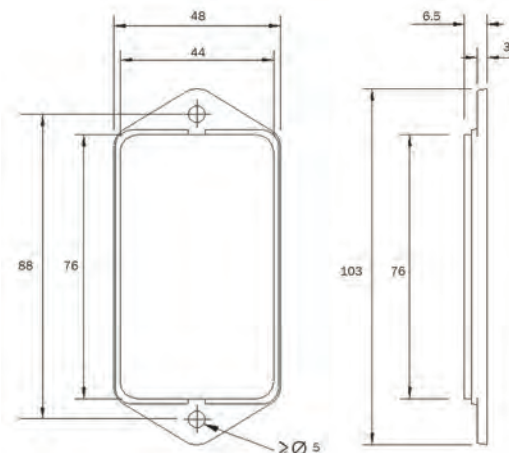
M78

Screw Fix Rectangular Reflector

Rubbolite[®]



Part Number	Shape	Colour	Description
78/01/00	Rectangle	Red	103x48mm with reflex
78/02/00	Rectangle	Amber	103x48mm with reflex
78/03/00	Rectangle	White	103x48mm with reflex





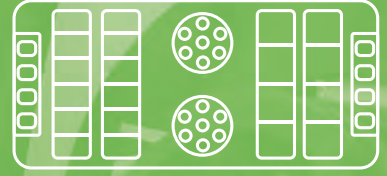
INNOVATORS OF **LED** LIGHTING

A Global See & Be Seen® Company

Truck-Lite®

www.Truck-Lite.eu.com

Junction Boxes



TOP HAUT

FEU DE POSITION GAUCHE

FREINAGE

CAPTEURS

PT. NO. 89061
ISS. 1

FRONT AVANT

FEU DE POSITION DROIT

FEU STOP

FEU DE POSITION CLIGNOTANT DROIT

FEU ANTI-BROUILLE DROIT

AUX 2

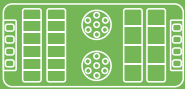
AMPERAGE MAXIMUM : 25 A
AMPERAGE MAXIMUM PAR CONNECTION : 5 A

Rubbolite®
M820/03 RAPIDE



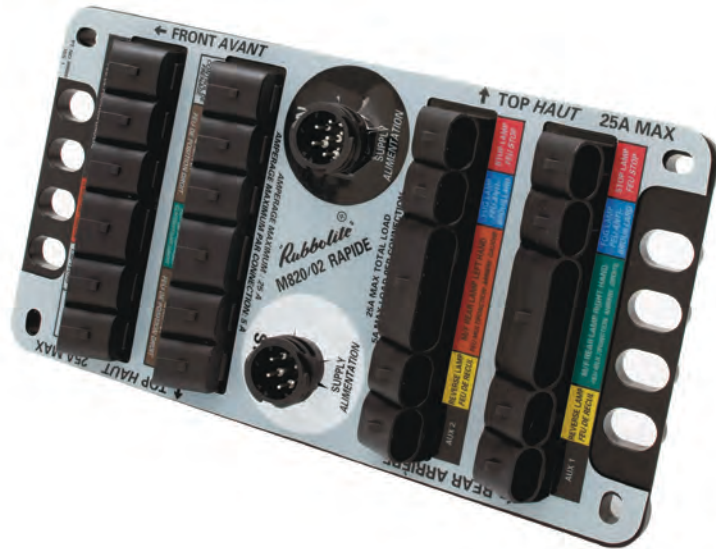
SUPPLY ALIMENTATION

25A MAX TOTAL
5A MAX



M820

Junction Plate



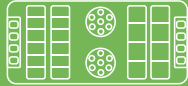
Part Number: **820/02/04**

Product specification:

24V, 25A max total current load, 5A max current load per socket outlet

For use with 2x conventional rear lamp (2x6 way SS)

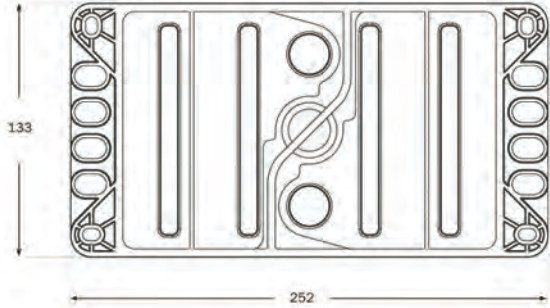
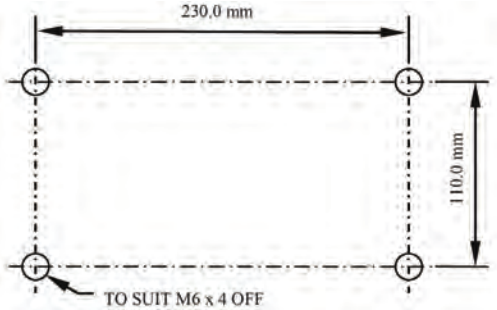
Input Sockets				Spare		Sensing Device		L/H Tail Dir Ind			L/H Outline Markers & No. Plate				R/H Outline Markers & No. Plate				R/H Tail DI					
				A		B		C			D		E		F		G		H		J			
Trailer Socket	PIN	Function	M820 Input	1	2	1	2	1	2	3	1	2	1	2	1	2	1	2	1	2	1	2	3	
24N (normal) ISO 1185 PIN position	7	Braking Control	24N-1																					
	1	Return	24N-2	✓		✓		✓			✓		✓		✓		✓		✓		✓			
	2	LH Marker	24N-3						✓			✓		✓		✓								
	4	Stop	24N-4																					
	3	LH Dir Ind	24N-5						✓															
	5	RH Dir Ind	24N-6																					✓
	6	RH marker	24N-7															✓		✓		✓		
24S (supplementary) ISO 3731 PIN position	5	Sensing Device	24S-1				✓																	
	1	Return	24S-2	✓		✓		✓			✓		✓		✓		✓		✓		✓			
	2	Spare	24S-3		✓																			
	6	Power Supply 2	24S-4																					
	4	Power Supply 1	24S-5																					
	3	Reverse	24S-6																					
	7	Fog	24S-7																					



M820

Junction Plate

“Rubbolite”®

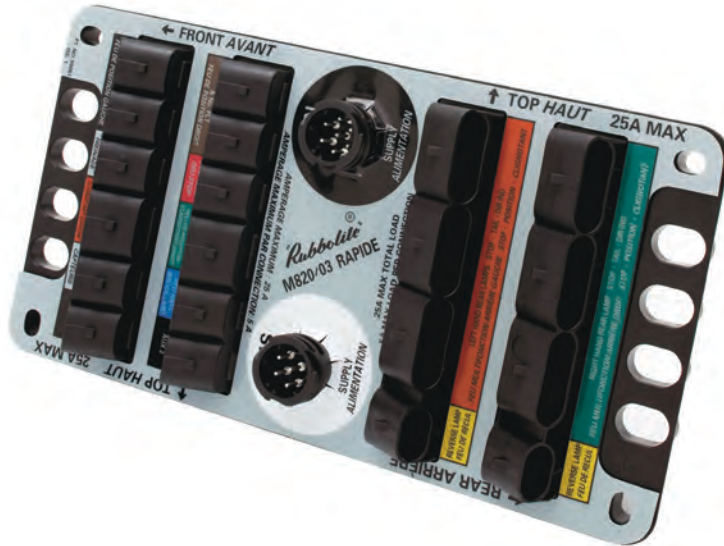


R/H Outline Markers & No. Plate		Braking Control		Stop Lamp		Fog Lamp		Multifunction Rear Lamp L/H						Reverse Lamp		AUX 2		Stop Lamp		Fog Lamp		Multifunction Rear Lamp R/H						Reverse Lamp		AUX 1	
K	L	M	N	O	P						Q	R	S	T	V						W	X									
1	2	1	2	1	2	1	2	1	2	3	4	5	6	1	2	1	2	1	2	1	2	1	2	3	4	5	6	1	2	1	2
				✓																											
✓		✓		✓		✓		✓																				✓		✓	
											✓								✓						✓						
												✓																			
		✓		✓																				✓							
✓		✓		✓		✓		✓															✓					✓		✓	
																		✓													
						✓																									
													✓																		



M820

Junction Plate



Part Number: **820/03/04**

Product specification:

24V, 25A max total current load, 5A max current load per socket outlet
For use with hamburger style lamp (6x4 way SS)

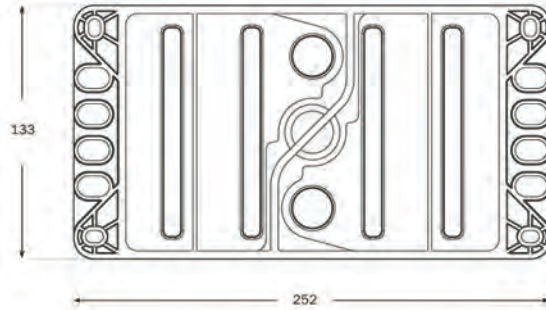
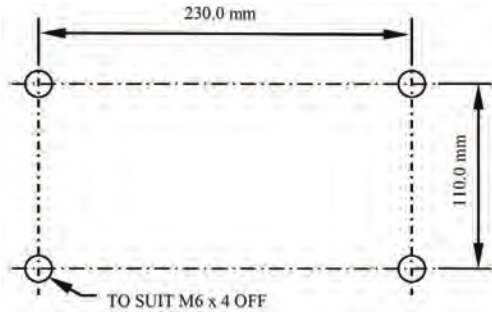
Input Sockets				AUX 1			Sensing Device			L/H Tail Dir Ind			Braking Control		L/H Outline Marke		AUX 2		Fog Lamp		R/H Tail DI		
Trailer Socket		PIN	Function	M820 Input	1	2	1	2	1	2	3	1	2	1	2	1	2	1	2	1	2	3	
24N (normal) ISO 1185 PIN position	7	7	Braking Control	24N-1									✓										
	1	1	Return	24N-2	✓		✓		✓				✓		✓		✓		✓		✓		
	2	2	LH Marker	24N-3							✓					✓							
	4	4	Stop	24N-4																			
	3	3	LH Dir Ind	24N-5								✓											
	5	5	RH Dir Ind	24N-6																			✓
	6	6	RH marker	24N-7																			✓
24S (supplementary) ISO 3731 PIN position	5	5	Sensing Device	24S-1				✓															
	1	1	Return	24S-2	✓		✓		✓			✓		✓		✓		✓		✓			
	2	2	Spare	24S-3																			
	6	6	Power Supply 2	24S-4															✓				
	4	4	Power Supply 1	24S-5		✓																	
	3	3	Reverse	24S-6																			
	7	7	Fog	24S-7																	✓		



M820

Junction Plate

Rubbolite[®]



Stop Lamp		R/H Outline Marker				L/H Rear Lamp - Stop, Tail, Dir Ind				Reverse Lamp				R/H Rear Lamp - Stop, Tail, Dir Ind				Reverse Lamp							
K	L	M	N		O				P				Q	R			S				T		V		
1	2	1	2	1	2	3	4	1	2	3	4	1	2	3	4	1	2	3	4	1	2	3	4	1	2
✓		✓		✓				✓				✓				✓				✓				✓	
	✓						✓					✓					✓				✓				✓
		✓				✓						✓					✓				✓				✓
			✓				✓					✓					✓				✓				✓
				✓				✓				✓					✓				✓				✓
					✓							✓					✓				✓				✓
													✓												✓



M694

Nosebox

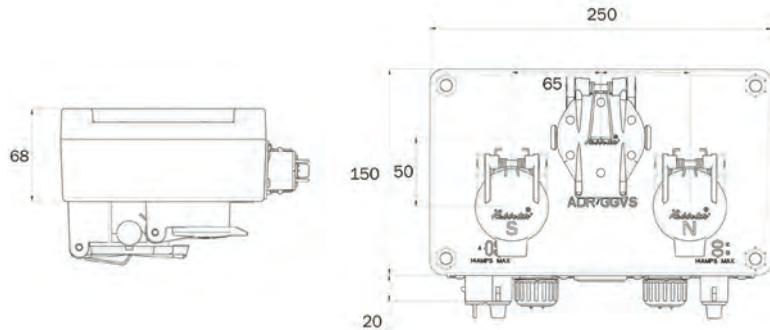
“Rubbolite”®



IP54

EMC

Part Number	Connector	Description
694/01/00	3 way amp x1, 2 way amp x4, 3 way grommet entry x1	Socket - 15 pole, 7N & 7S



M124

Triple Height Junction Box

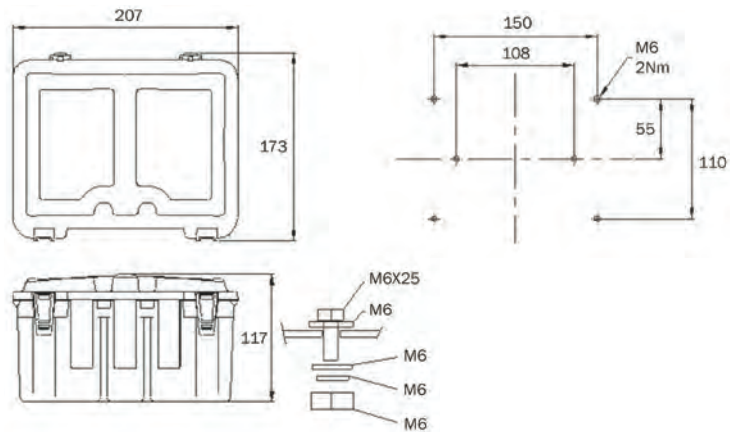
“Rubbolite”®



IP54

Part Number	Spade Terminals	No. Way	Terminal Block	Double Height	15 Stud	Description
124/01/02	250 series. 6.25m	21				

Part Number	Spares
84746	Terminal block
84902	Grommet kit 21 way





M120

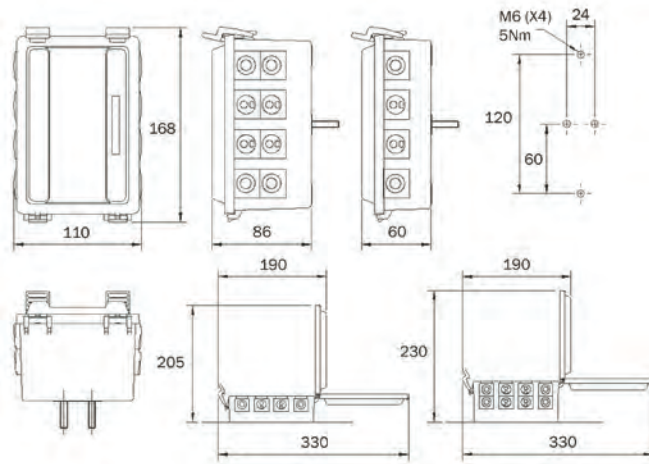
Junction Box Single & Double Height

Rubbolite®



Part Number	Spade Terminals	No. Way	Terminal Block	Double Height	15 Stud	Description
120/01/02	250 series. 6.25m	8				Single height
120/07/02	250 series. 6.25m	16		✓		Double height

Part Number	Spares
82166	Terminal block 8
82168	Terminal block 16
83143	Grommet kit 8 way
83144	Grommet kit 16 way



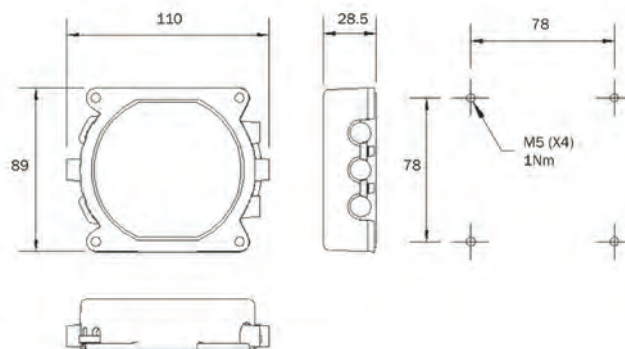
M118

Junction Box

Rubbolite®



Part Number	Spade Terminals	No. Way	Terminal Block	Double Height	15 Stud	Description
118/01/00		4				





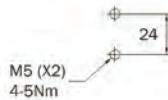
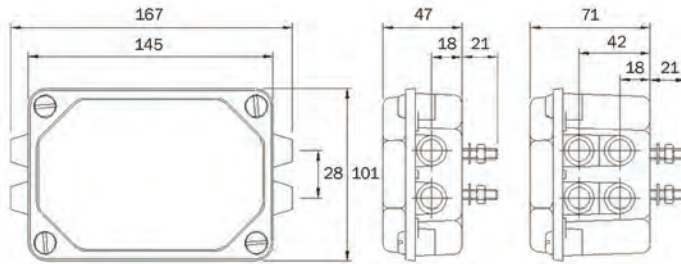
M111

Junction Box Single & Double Height



Part Number	Spade Terminals	No. Way	Terminal Block	Double Height	15 Stud	Description
111/01/00						Single height
111/01/01		8	1			Double height
111/01/02		2x 8	2			
111/01/03	✓	14x 4	1			
111/01/15	✓	14x 4	1			
111/07/00				✓		
111/07/01		8	1	✓		
111/07/02		2x 8	2	✓		
111/07/03	✓	14x 4	1	✓		
111/07/04			1		✓	

Part Number	Spares
2068	Terminal block 8 way
2853	Terminal block 15 stud
3031	Terminal block, 14 x 4 way spade
3122A	Grommet M111 round
3123	Turnbuckle
3144	Lid assy



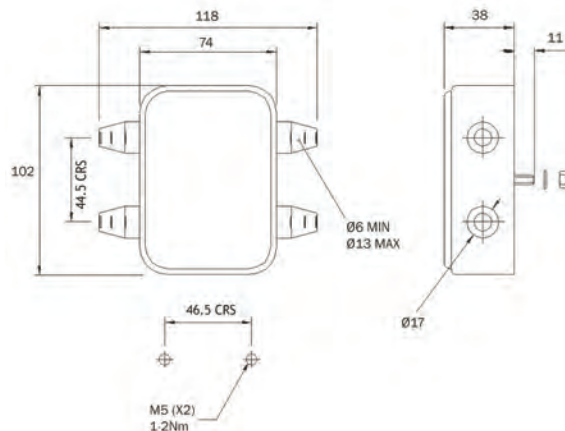
M108

Junction Box

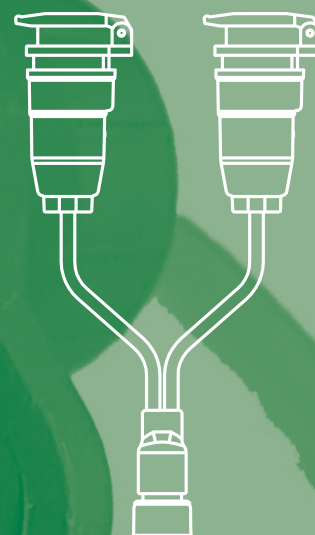


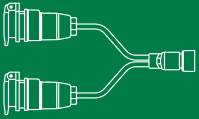
Part Number	Spade Terminals	No. Way	Terminal Block	Double Height	15 Stud	Description
108/01/00		8	1			

Part Number	Spares
1854	Lid
2068	Terminal block 8 way



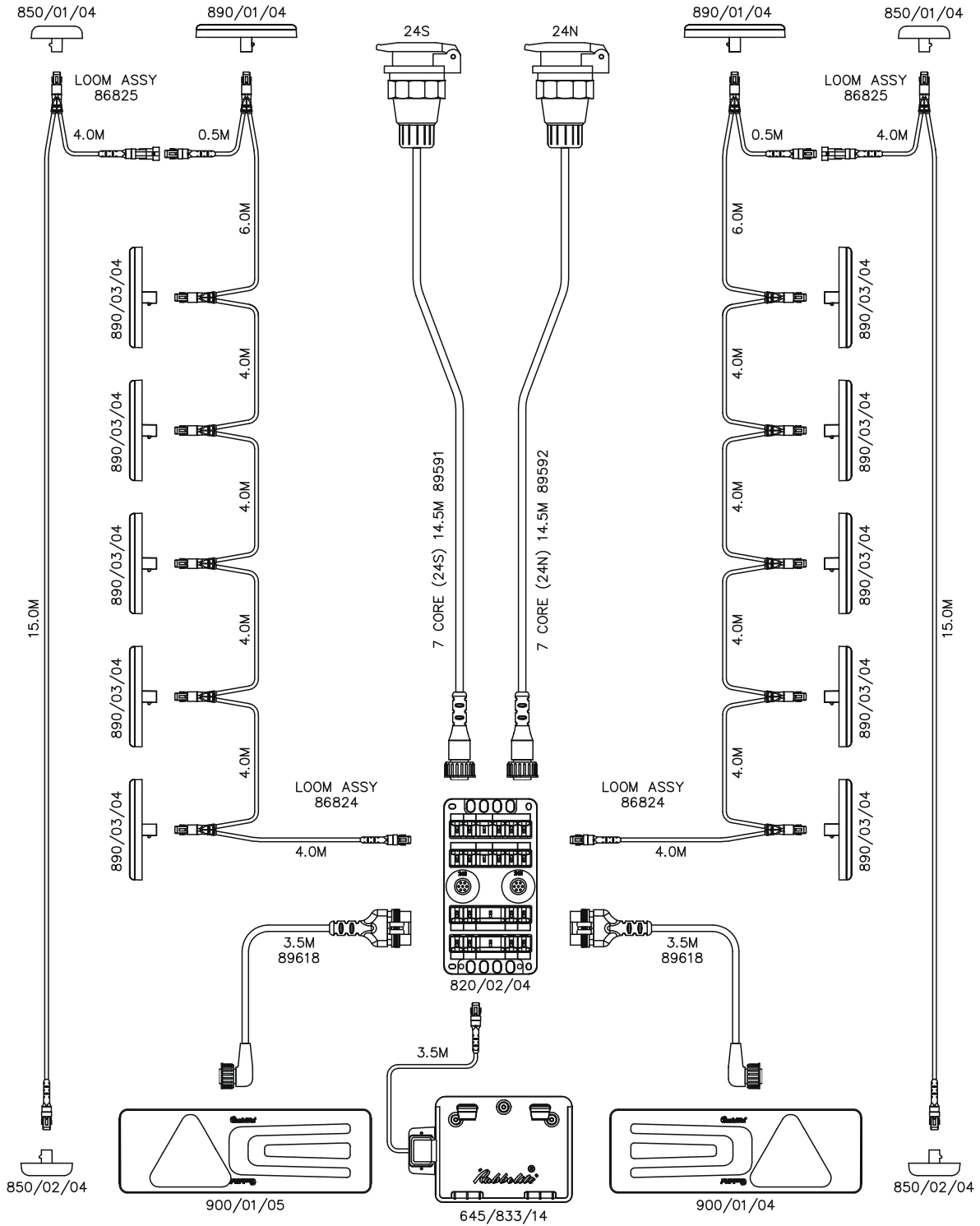
Harnesses & Connectors

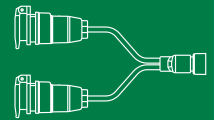




LED Trailer Kit

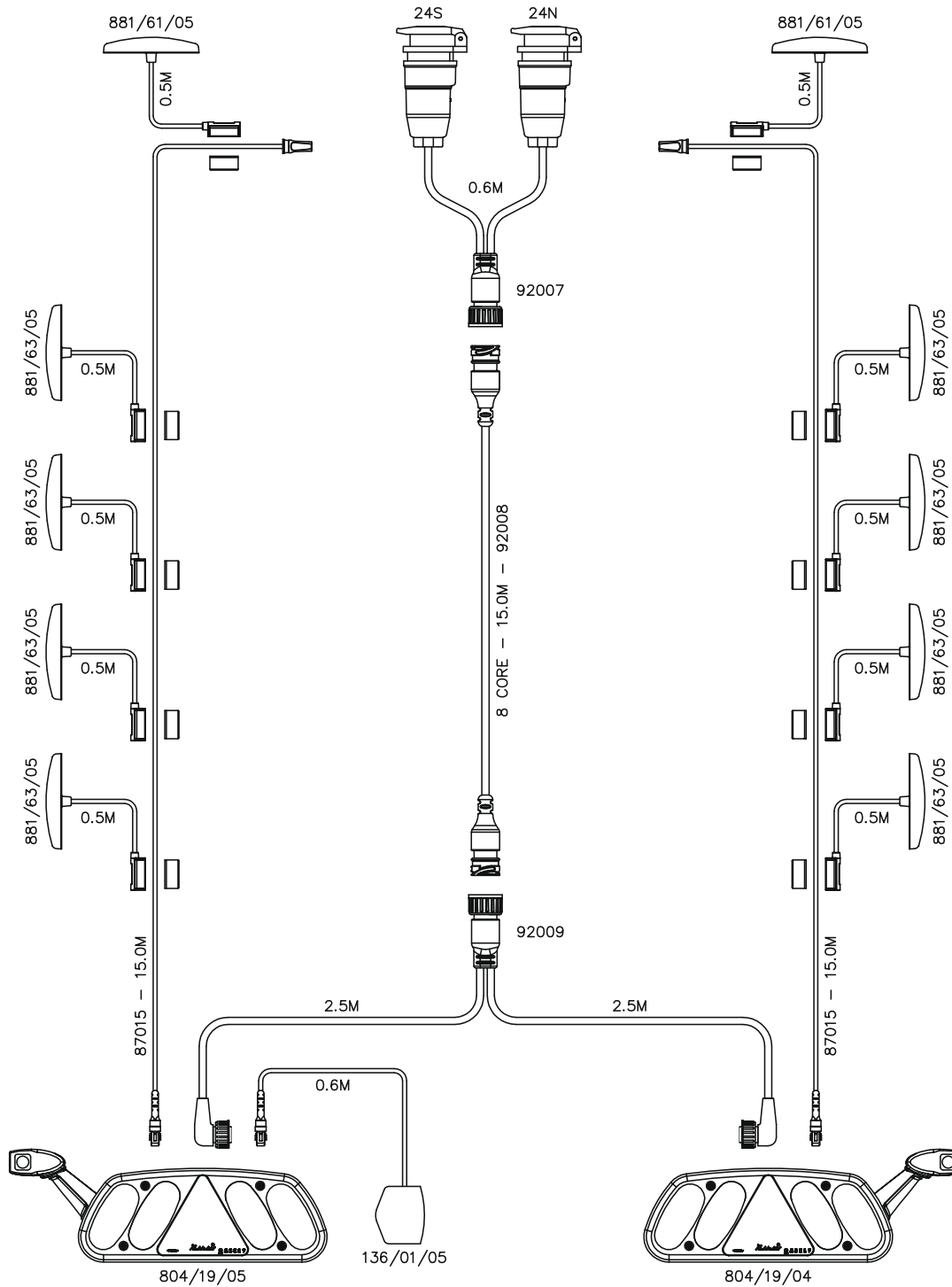
M900

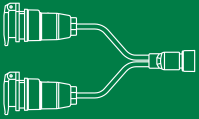




Hybrid Trailer Kit

M804





Front Connections

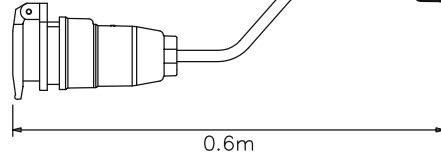
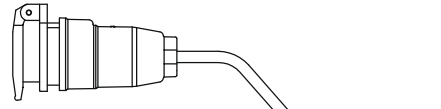
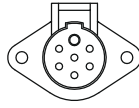
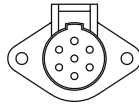
Part Number: 92007

Description

Front Connection

ISO Standard: 1185 + 3731
 With 12 way TL plug (Male)
 Pin 6 on S and Pin 7 on N are not connected
 Conductor cross-section: 1 x 1.5mm² + 6 x 0.75mm²

2 x 7 core cable 0.6m



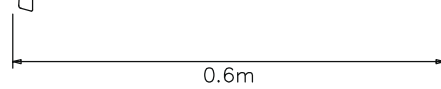
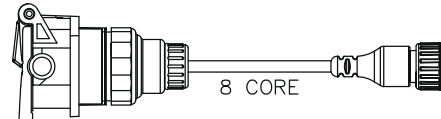
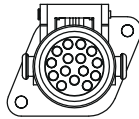
Part Number: 92134

Description

Front Connection

ISO Standard: 12098
 With 12 way TL plug (Male)
 Only pins 1 to 8 on 15P are connected
 Conductor cross-section: 1 x 1.5mm² + 7 x 0.75mm²

8 core cable 0.6m



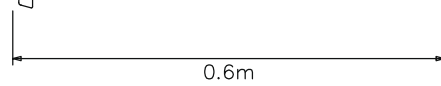
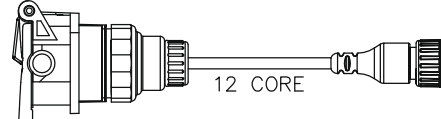
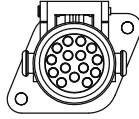
Part Number: 94024

Description

Front Connection

ISO Standard: 12098
 With 12 way TL plug (Male)
 Pins 10, 13 & 15 on 15P are not connected
 Conductor cross-section: 3 x 1.5mm² + 9 x 0.75mm²

12 core cable 0.6m



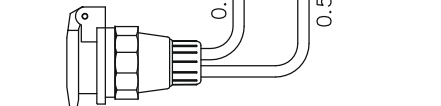
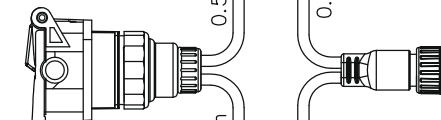
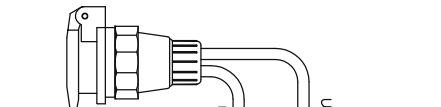
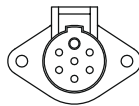
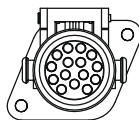
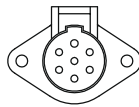
Part Number: 91200

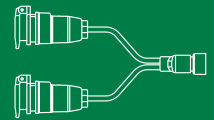
Description

Front Connection

ISO Standard: 12098 + 1185 + 3731
 With 12 way TL plug (Male)
 Pin 6 on S+ pins 13, 14 & 15 on 15P are not connected
 Conductor cross-section: 3 x 1.5mm² + 9 x 0.75mm²

2 x 7 core cable 0.5m





Front Connections

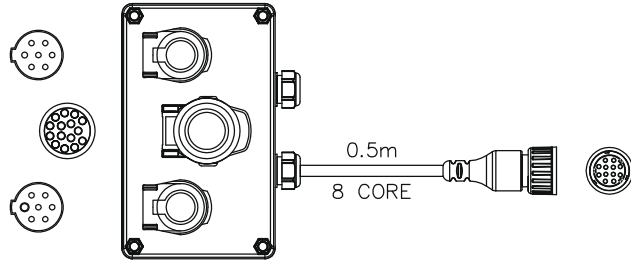
Part Number: 697/05/12

Description

Nose Box

ISO Standard: 12098 + 1185 + 3731
 With 12 way TL plug (Male)
 Pins 7 on N, Pin 6 on S & pins 9-15 on 15P not connected
 Conductor cross-section: $1 \times 1.5\text{mm}^2 + 7 \times 0.75\text{mm}^2$

8 core cable 0.5m



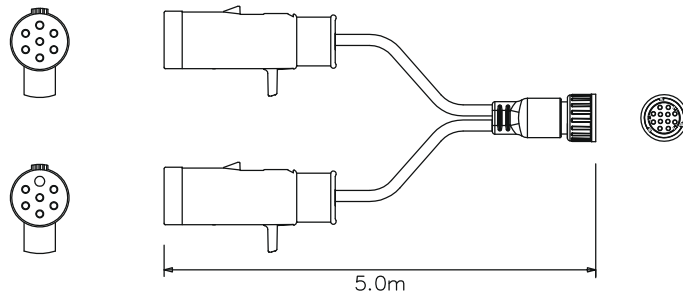
Part Number: 94012

Description

Front Connection

ISO Standard: 1185 + 3731
 With 12 way TL plug (Male)
 Pin 5 on S & Pin 7 on N not connected
 Conductor cross-section: $1 \times 1.5\text{mm}^2 + 6 \times 0.75\text{mm}^2$

2 x 7 core cable 5.0m



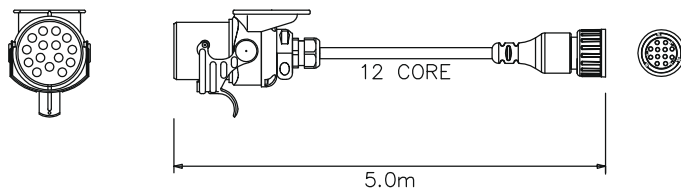
Part Number: 94013

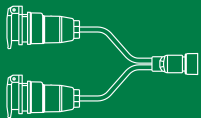
Description

Front Connection

ISO Standard: 12098
 With 12 way TL plug (Male)
 Pins 10, 13 & 15 on 15P are not connected
 Conductor cross-section: $3 \times 1.5\text{mm}^2 + 9 \times 0.75\text{mm}^2$

12 core cable 5.0m





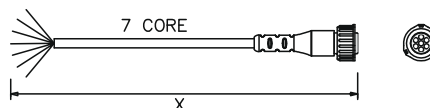
Centre Spines

Description

Centre harness with bare ends – 24N

With 7 way DIN plug (Male)
 Conductor cross-section: 1 x 1.5mm² + 6 x 0.75mm²

7 core cable X = 11.5m	Part Number: 87616
7 core cable X = 14.5m	Part Number: 87175
7 core cable X = 17.0m	Part Number: 89154

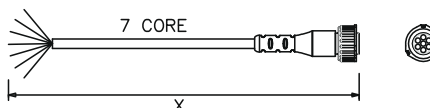


Description

Centre harness with bare ends – 24S

With 7 way DIN plug (Male)
 Conductor cross-section: 1 x 1.5mm² + 6 x 0.75mm²

7 core cable X = 11.5m	Part Number: 87617
7 core cable X = 14.5m	Part Number: 87176
7 core cable X = 17.0m	Part Number: 89153

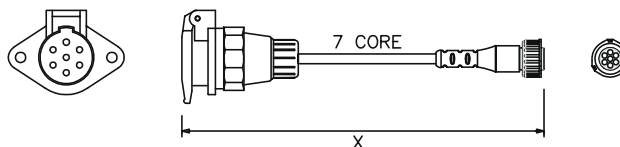


Description

Centre harness with 7 pin socket – 24N

ISO Standard: 1185
 With 7 way DIN plug (Male)
 Conductor cross-section: 1 x 1.5mm² + 6 x 0.75mm²

7 core cable X = 14.5m	Part Number: 89592
7 core cable X = 17.0m	Part Number: 88560

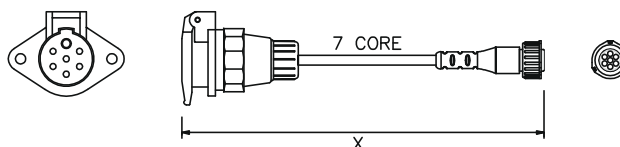


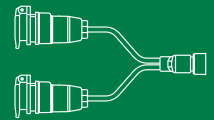
Description

Centre harness with 7 pin socket – 24S

ISO Standard: 3731
 With 7 way DIN plug (Male)
 Conductor cross-section: 1 x 1.5mm² + 6 x 0.75mm²

7 core cable X = 14.5m	Part Number: 89591
7 core cable X = 17.0m	Part Number: 88561





Centre Spines

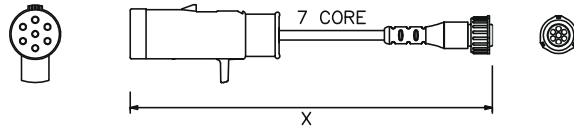
Description

Centre harness with 7 pin plug – 24N

ISO Standard: 1185
 With 7 way DIN plug (Male)
 Conductor cross-section: 1 x 1.5mm² + 6 x 0.75mm²

7 core cable X = 12.0m Part Number: 88686

7 core cable X = 14.0m Part Number: 88352



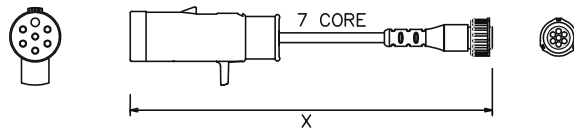
Description

Centre harness with 7 pin plug – 24S

ISO Standard: 3731
 With 7 way DIN plug (Male)
 Conductor cross-section: 1 x 1.5mm² + 6 x 0.75mm²

7 core cable X = 12.0m Part Number: 88687

7 core cable X = 14.0m Part Number: 88353



Description

Centre harness

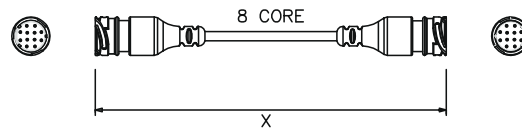
With 12 way TL socket (Female)
 Conductor cross-section: 1 x 1.5mm² + 7 x 0.75mm²

8 core cable X = 10.0m Part Number: 92418

8 core cable X = 12.0m Part Number: 92419

8 core cable X = 15.0m Part Number: 92008

8 core cable X = 17.0m Part Number: 92420



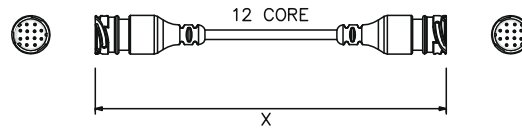
Description

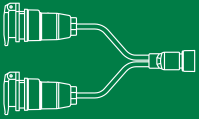
Centre harness

With 12 way TL socket (Female)
 Conductor cross-section: 3 x 1.5mm² + 9 x 0.75mm²

12 core cable X = 10.5m Part Number: 93542

12 core cable X = 15.0m Part Number: 94109





Rear Harnesses

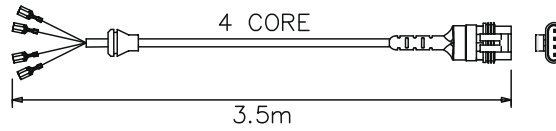
Description

Rear Harness

With spade terminals to Superseal plug (Male)
For use with M810 & THQ/06 Hamburger Rear Lamp
Conductor cross-section: 4 x 0.75mm²

4 core cable 3.5m

Part Number: 89655



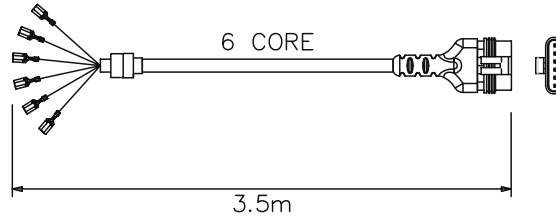
Description

Rear Harness

With spade terminals to Superseal plug (Male)
For use with M800 Rear Lamp
Conductor cross-section: 6 x 0.75mm²

6 core cable 3.5m

Part Number: 86828



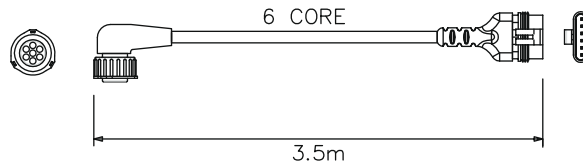
Description

Rear Harness

With 7 way Din plug (Male) to Superseal plug (Male)
For use with Model 756, 757, 758, 800, 804 & 900 Rear Lamp
Conductor cross-section: 6 x 0.75mm²

6 core cable 3.5m

Part Number: 89618



Description

Rear Harness

With 7 way Din plug (Male) to Bared end
For use with Model 756, 757, 758, 800, 804 & 900 Rear Lamp
Conductor cross-section: 6 x 0.75mm²

RH 6 core cable 3.5m
(TL pin configuration)*

Part Number: 89530

RH 6 core cable 3.5m
(EU pin configuration)*

Part Number: 89530EU

LH 6 core cable 3.5m
(TL pin configuration)*

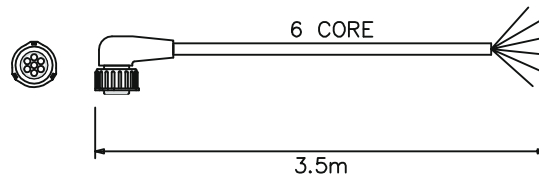
Part Number: 95045

LH 6 core cable 3.5m
(EU pin configuration)*

Part Number: 95045EU

LH 6 core cable 3.5m
(TL pin configuration)*
- M758 Only

Part Number: 95047



Description

Y - Rear Harness

With 2 x 7 way Din plug (Male) to 12 way TL plug (Male)
For use with Model 756, 757, 758, 800, 804 & 900 Rear Lamp

2 x 6 core cable 2.5m
(TL pin configuration)*

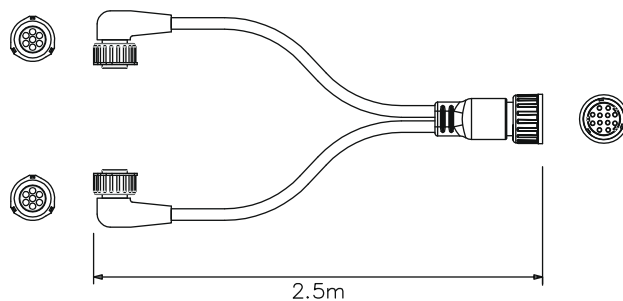
Part Number: 92009

Conductor cross-section:
6 x 0.75mm² (x2)

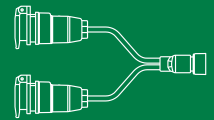
2 x 7 core cable 2.5m
(EU pin configuration)*

Part Number: 94920

Conductor cross section:
1 x 1.5mm² & 6 x 0.75mm² (x2)



*For TL and EU configuration, please see connector pin details at the end of this section



Description

Y - Rear Harness

With 2 x 7 way Din plug (Male) to 12 way TL plug (Male)
 With 2 x Superseal socket (Female) for tail / marker lights
 For use with Model 756, 757, 758, 800, 804 & 900 Rear Lamp

**2 x 6 core cable 2.5m
 (TL pin configuration)***

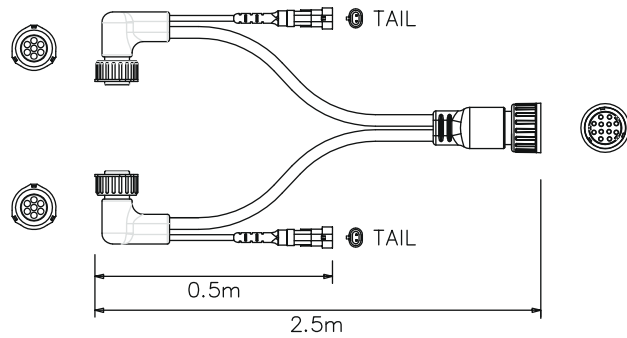
Conductor cross-section:
 6 x 0.75mm² (x2) + 2 x
 0.75mm² (x2)

Part Number: 93216

**2 x 7 core cable 2.5m
 (EU pin configuration)***

Conductor cross-section:
 1 x 1.5mm² & 6 x 0.75mm²
 (x2) + 2 x 0.75mm² (x2)

Part Number: 94758



*For TL & EU configuration, please see connector pin details section at the end of this section

2 Way Looms

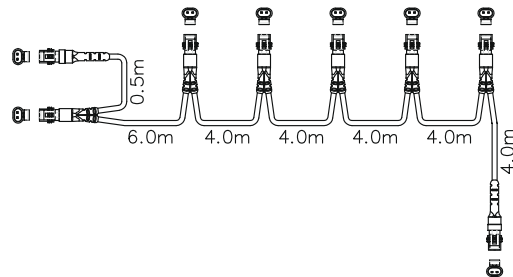
Description

Loom Assembly

Typical Skeleton / Flatbed
 Conductor cross-section: 2 x 0.75mm²

**2 way Superseal 8 x
 plug (Male)**

Part Number: 86824



Description

Loom Assembly

Typical Box van
 Conductor cross-section: 2 x 0.75mm²

**2 Superseal plug
 (Male) to Superseal
 socket (Female) - 5.0m**

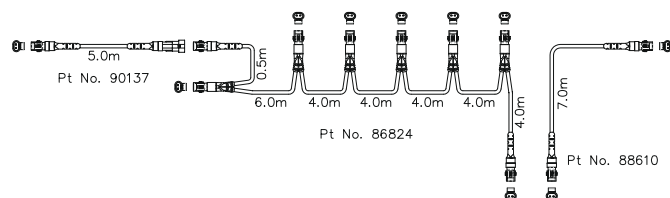
Part Number: 90137

**2 way Superseal 8 x
 plug (Male)**

Part Number: 86824

**2 Superseal plug
 (Male) to Superseal
 plug (Male) - 7.0m**

Part Number: 88610



Description

Loom Assembly

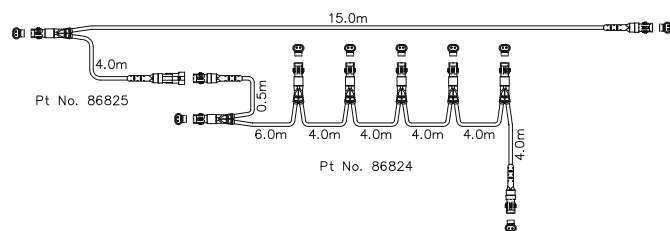
Typical Curtain Slider
 Conductor cross-section: 2 x 0.75mm²

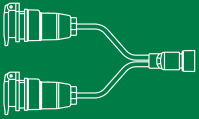
**2 way Superseal 1 x
 socket (Female) and 2
 x plug (Male)**

Part Number: 86825

**2 way Superseal 8 x
 plug (Male)**

Part Number: 86824





2 Way Looms

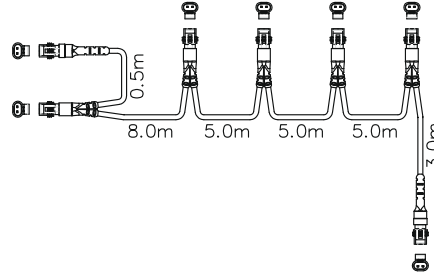
Description

Loom Assembly

Typical Tipper
Conductor cross-section: 2 x 0.75mm²

2 way Superseal 7 x
plug (Male)

Part Number: 88578



Description

Loom Assembly

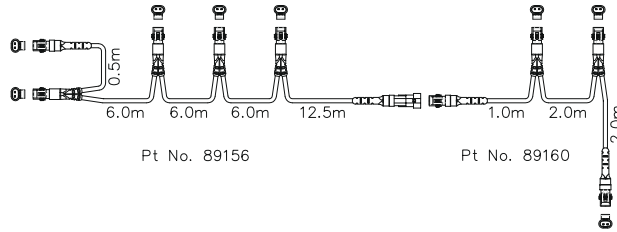
Typical Extendable Skeleton
Conductor cross-section: 2 x 0.75mm²

2 way Superseal 5 x
plug (Male) and 1 x
socket (Female)

Part Number: 89156

2 way superseal 4 x
plug (Male)

Part Number: 89160



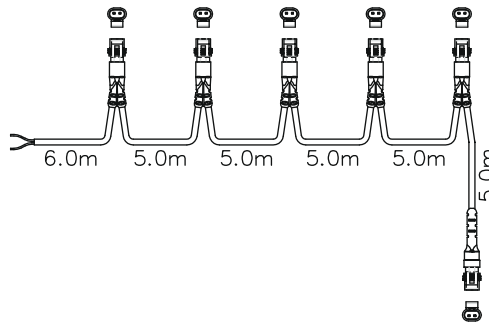
Description

Loom Assembly

Typical Refrigerated Body (Reefer)
Conductor cross-section: 2 x 0.75mm²

2 way Superseal 6 x
plug (Male) and 1 x
bare end

Part Number: 89186



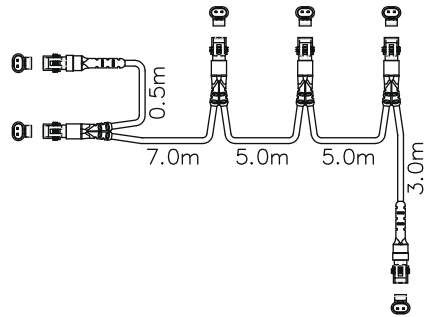
Description

Loom Assembly

Typical Draw bar
Conductor cross-section: 2 x 0.75mm²

2 way Superseal 6 x
plug (Male)

Part Number: 87161



3 Way Looms

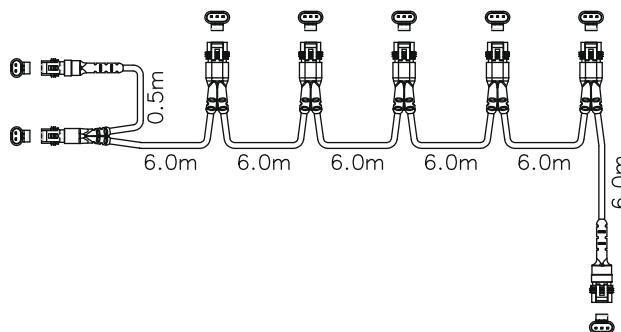
Description

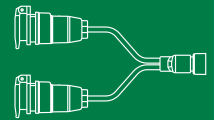
Loom Assembly

Typical common loom
Conductor cross-section: 3 x 0.75mm² and 2 x 0.75mm²

3 way Superseal 6 x
plug (Male) and 2 way
Superseal 2 x plug
(Male)

Part Number: 92775





T-Piece Loom

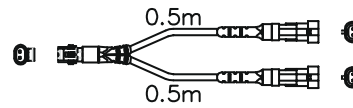
Description

T-Piece Adaptor

With Superseal plug (Male) to Superseal socket (Female) (x2)
Conductor cross-section: 2 x 0.75mm²

2 core cable
0.5m/0.5m

Part Number: 90238



Description

T-Piece Adaptor

With Superseal plug (Male) to Superseal plug (Male) and Superseal socket (Female)
Conductor cross-section: 2 x 0.75mm²

2 core cable
0.5m/0.5m

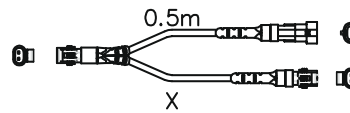
Part Number: 88765

2 core cable
0.5m/3.5m

Part Number: 87035

2 core cable
0.5m/5.0m

Part Number: 87941



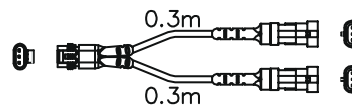
Description

T-Piece Adaptor

With Superseal plug (Male) to Superseal socket (Female) (x2)
Conductor cross-section: 3 x 0.75mm²

3 core cable
0.3m/0.3m

Part Number: 92680



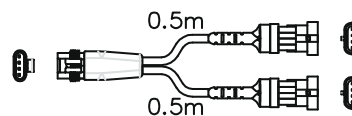
Description

T-Piece Adaptor

With Superseal plug (Male) to Superseal socket (Female) (x2)
Conductor cross-section: 4 x 0.75mm²

4 core cable
0.5m/0.5m

Part Number: 94968



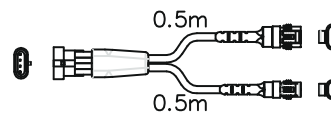
Description

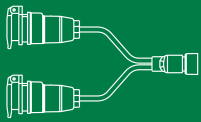
T-Piece Adaptor

With Superseal socket (female) to superseal plug (male) x2
3 way SS male for Tail & DI function
2 way SS male for Stop function

2 core cable
0.5m/0.5m

Part Number: 92764





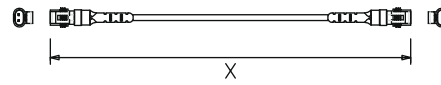
Link Harnesses

Description

Link harness

With Superseal plug (Male) to Superseal plug (Male)
 Conductor cross-section: 2 x 0.75mm²

2 core cable X = 0.5m	Part Number: 86661
2 core cable X = 1.5m	Part Number: 87033
2 core cable X = 3.5m	Part Number: 86588
2 core cable X = 5.5m	Part Number: 87025
2 core cable X = 7.0m	Part Number: 88610

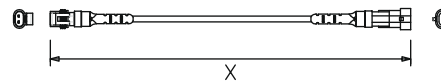


Description

Link harness

With Superseal plug (Male) to Superseal socket (Female)
 Conductor cross-section: 2 x 0.75mm²

2 core cable X = 0.5m	Part Number: 86434
2 core cable X = 1.0m	Part Number: 86641
2 core cable X = 2.0m	Part Number: 88879
2 core cable X = 3.0m	Part Number: 90881
2 core cable X = 5.0m	Part Number: 90137

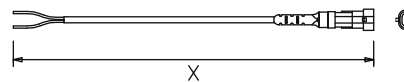


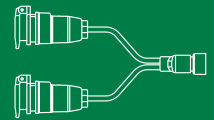
Description

Link harness

With bare end to Superseal socket (Female)
 Conductor cross-section: 2 x 0.75mm²

2 core cable X = 0.5m	Part Number: 85819
2 core cable X = 2.0m	Part Number: 90441
2 core cable X = 4.0m	Part Number: 88128
2 core cable X = 6.0m	Part Number: 89263
2 core cable X = 10.0m	Part Number: 93033





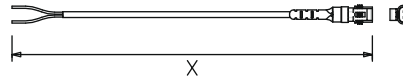
Link Harnesses

Description

Link harness

With bare end to Superseal plug (Male)
Conductor cross-section: 2 x 0.75mm²

2 core cable X = 0.5m	Part Number: 88113
2 core cable X = 2.0m	Part Number: 88562
2 core cable X = 3.5m	Part Number: 90047
2 core cable X = 6.0m	Part Number: 93029
2 core cable X = 10.0m	Part Number: 88910

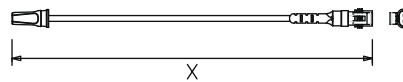


Description

Busbar harness

With blanked end to Superseal plug (Male)
Conductor cross-section: 2 x 1.5mm²

2 core cable X = 11.0m	Part Number: 87011
2 core cable X = 15.0m	Part Number: 87015
2 core cable X = 17.0m	Part Number: 87017
2 core cable X = 19.0m	Part Number: 97019
2 core cable X = 23.0m	Part Number: 90194

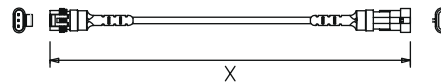


Description

Link harness

With Superseal plug (Male) to Superseal socket (Female)
Conductor cross-section: 3 x 0.75mm²

3 core cable X = 1.5m	Part Number: 93470
3 core cable X = 2.0m	Part Number: 94510
3 core cable X = 2.5m	Part Number: 92163

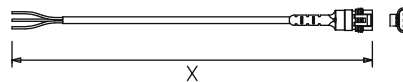


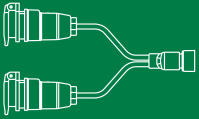
Description

Link harness

With bare end to Superseal plug (Male)
Conductor cross-section: 3 x 0.75mm²

3 core cable X = 3.0m	Part Number: 87457
3 core cable X = 5.0m	Part Number: 90124
3 core cable X = 8.0m	Part Number: 92423
3 core cable X = 9.0m	Part Number: 89643





Link Harnesses

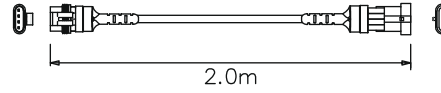
Description

Link harness

With Superseal plug (Male) to Superseal socket (Female)
Conductor cross-section: 4 x 0.75mm²

4 core cable 2.0m

Part Number: 89216



Description

Link harness

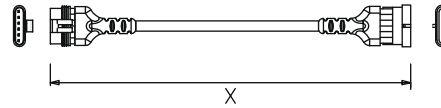
With Superseal plug (Male) to Superseal socket (Female)
Conductor cross-section: 6 x 0.75mm²

6 core cable 1.0m

Part Number: 89216

6 core cable 4.0m

Part Number: 89369



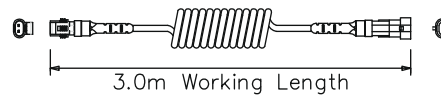
Description

Link harness - Coil

With Superseal plug (Male) to Superseal socket (Female)
Conductor cross-section: 2 x 0.75mm²

2 core cable 3.0m
working length

Part Number: 94770



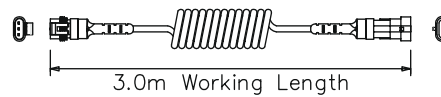
Description

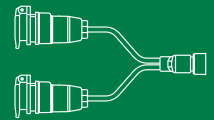
Link harness - Coil

With Superseal plug (Male) to Superseal socket (Female)
Conductor cross-section: 3 x 0.75mm²

3 core cable 3.0m
working length

Part Number: 94851





Repair & Connector Kits

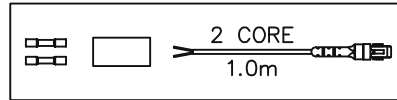
Description

Repair Kit

With bare end to Superseal plug (Male)
 Contains butt splice heat shrink x 2 and heat shrink sleeve
 Conductor cross-section: 2 x 0.75mm²

2 core cable 1.0m

Part Number: 89257



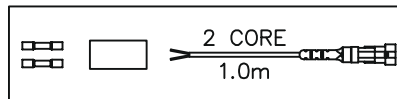
Description

Repair Kit

With bare end to Superseal socket (Female)
 Contains butt splice heat shrink x 2 and heat shrink sleeve
 Conductor cross-section: 2 x 0.75mm²

2 core cable 1.0m

Part Number: 89258



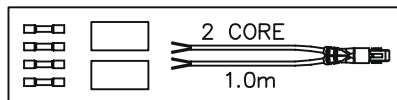
Description

Repair Kit

With bare end to Superseal plug (Male)
 Contains butt splice heat shrink x 4 and heat shrink sleeve x2
 Conductor cross-section: 2 x 0.75mm²

2 core cable 1.0m

Part Number: 89259



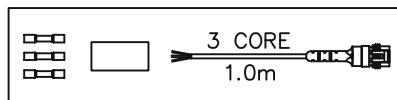
Description

Repair Kit

With bare end to Superseal plug (Male)
 Contains butt splice heat shrink x 3 and heat shrink sleeve
 Conductor cross-section: 3 x 0.75mm²

3 core cable 1.0m

Part Number: 92717



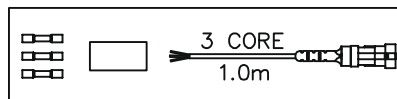
Description

Repair Kit

With bare end to Superseal socket (Female)
 Contains butt splice heat shrink x 3 and heat shrink sleeve
 Conductor cross-section: 3 x 0.75mm²

3 core cable 1.0m

Part Number: 92718



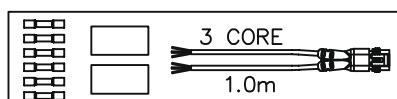
Description

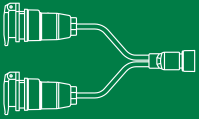
Repair Kit

With bare end to Superseal plug (Male)
 Contains butt splice heat shrink x 6 and heat shrink sleeve x2
 Conductor cross-section: 3 x 0.75mm²

3 core cable 1.0m

Part Number: 94754



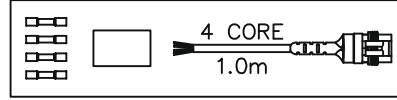


Repair & Connector Kits

Description

Repair Kit

With bare end to Superseal plug (Male)
Contains butt splice heat shrink x4 and heat shrink sleeve
Conductor cross-section: 4 x 0.75mm²



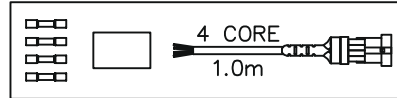
4 core cable 1.0m

Part Number: 92719

Description

Repair Kit

With bare end to Superseal socket (Female)
Contains butt splice heat shrink x4 and heat shrink sleeve
Conductor cross-section: 4 x 0.75mm²



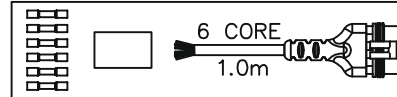
4 core cable 1.0m

Part Number: 92720

Description

Repair Kit

With bare end to Superseal plug (Male)
Contains butt splice heat shrink x6 and heat shrink sleeve
Conductor cross-section: 6 x 0.75mm²



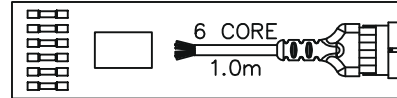
6 core cable 1.0m

Part Number: 92721

Description

Repair Kit

With bare end to Superseal socket (Female)
Contains butt splice heat shrink x6 and heat shrink sleeve
Conductor cross-section: 6 x 0.75mm²



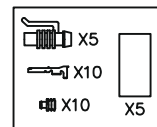
6 core cable 1.0m

Part Number: 92722

Description

Connector Kit

Superseal plug (Male) – 2Way
Contains housing x5, terminal x10, wire seal x10 & heat shrink x5

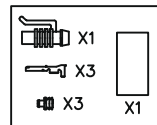


Part Number: 82714

Description

Connector Kit

Superseal plug (Male) – 3 Way
Contains housing x1, terminal x3, wire seal x3 & heat shrink x1

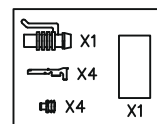


Part Number: 87726

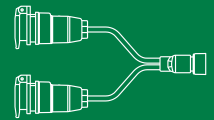
Description

Connector Kit

Superseal plug (Male) – 4 Way
Contains housing x1, terminal x4, wire seal x4 & heat shrink x1



Part Number: 92795



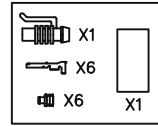
Repair & Connector Kits

Description

Connector Kit

Superseal plug (Male) – 6 Way
Contains housing x1, terminal x6, wire seal x6 & heat shrink x1

Part Number: 86904

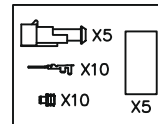


Description

Connector Kit

Superseal socket (Female) – 2 Way
Contains housing x5, terminal x10, wire seal x10 & heat shrink x5

Part Number: 86249

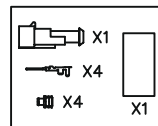


Description

Connector Kit

Superseal socket (Female) – 2 Way
Contains housing x1, terminal x4, wire seal x4 & Heat shrink x1

Part Number: 92796

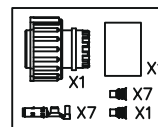


Description

Connector Kit

Din plug (Male) – 7 Way
Contains housing x1, terminal x7, wire seal x7, Blanking seal x1 & Heat shrink x1

Part Number: 85567

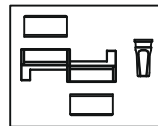


Description

Click-In Kit

Used to link 2 core Busbar
Contains Connector x1, Cover x2 & Endcap x1

Part Number: 93881

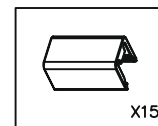


Description

Click-In Cover

Contains Cover x15

Part Number: 90613

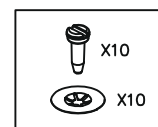


Description

Peg Fixing Kit

Used on M881 & M893 & M894
Contains Peg x10 & retaining washer x10

Part Number: 90846

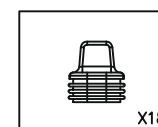


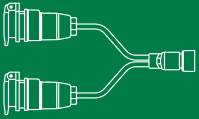
Description

Blanking Plug

Used on M820 junction box & Super seal socket (Female)
Contains 2 way Blanking plug x18

Part Number: 88066





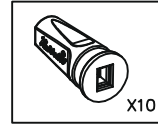
Repair & Connector Kits

Description

Cable Bung (Square Cable)

Used on M820 junction box & Super seal socket (Female)
Contains 2 way Blanking plug x18

Part Number: 86570A

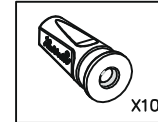


Description

Cable Bung (SRound Cable)

Used to seal the end of a cropped cable
Contains cable bung x10

Part Number: 93830A



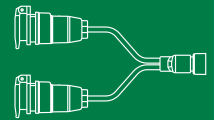
Description

Click-in connector tool

Used to assemble the click-in cover to the connector

Part Number: 90828





Extras

Description

Ballast Resistor

24V / 21W load resistor
Conductor cross-section: 2 x 1.5mm²



2 way Superseal plug
(Male) – 1.0m

Part Number: 90365

2 WAY SS – 90365

3 way Superseal plug
(Male) – 1.0m

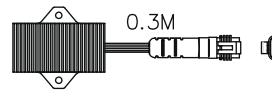
Part Number: 90320

3 WAY SS – 90320

Description

DI Sensing

12V Smart Load resistor
Conductor cross-section: 2 x 1.2mm²



3 core bare end – 0.3m

Part Number: 826/12/00

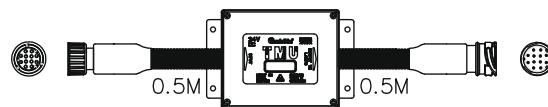
3 way Superseal plug
(Male) – 0.3m

Part Number: 826/12/10

Description

Trailer Monitoring Unit (TMU)

24V intelligent sensing device
With 12 way TL plug (Male) and 12 way TL socket (Female)
Conductor cross-section: 3 x 2.5mm², 9 x 1.5mm²



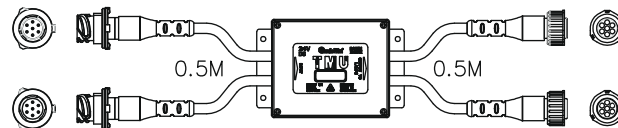
12 core conduit
0.5m/0.5m

Part Number: 825/01/32

Description

Trailer Monitoring Unit (TMU)

24V intelligent sensing device
With 7 way Din socket (Female) and 7 way Din plug (Male)
Conductor cross-section: 1 x 1.5mm², 6 x 0.75mm²



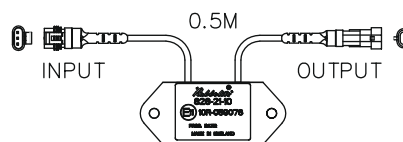
7 core cable
0.5m/0.5m

Part Number: 825/02/04

Description

Flashing Unit

10-32v dual voltage
Enables a side marker lamp 2 way to flash
in sequence with the direction indicator
3 way Superseal plug (Male) to 2 way Superseal
socket (Female)
Conductor cross-section: 3 x 0.75mm² and 2 x 0.75mm²

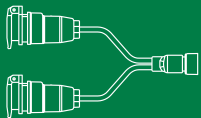


3 core cable 0.5m/2 core
cable 0.5m
(bare ends)

Part Number: 828/01/10

3 core cable 0.5m/2 core
cable 0.5m
(superseal ends)

Part Number: 828/21/10



Extras

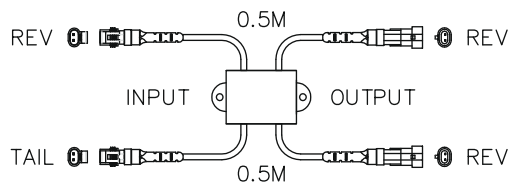
Description

Reverse Relay

Only allows 2 extra high powered reverse lamps to function when tail function is on
2 way Superseal plug (Male) to 2 way Superseal socket (Female)
Conductor cross-section: 2 x 0.75mm²

2 core cable 0.5m

Part Number: 92040



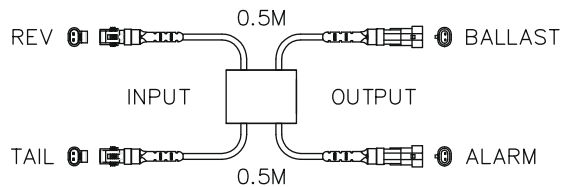
Description

Night Silent Alarm Unit

Disables the reverse alarm when tail function is on
Used with 90365 ballast Resistor
2 way Superseal plug (Male) to 2 way Superseal socket (Female)
Conductor cross-section: 2 x 0.75mm²

2 core cable 0.5m

Part Number: 92166

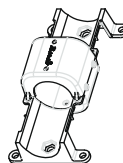


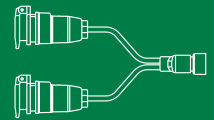
Description

12P/18P In-Line Connector Mount

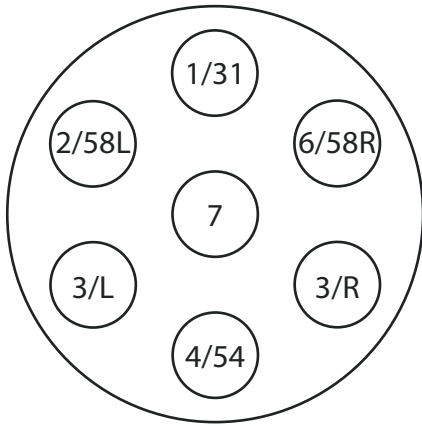
To suit TL 12 way & 18 way connectors
To maintain the integrity of the joint

Part Number: 92895

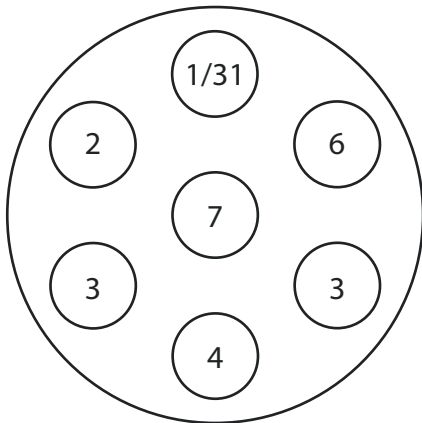




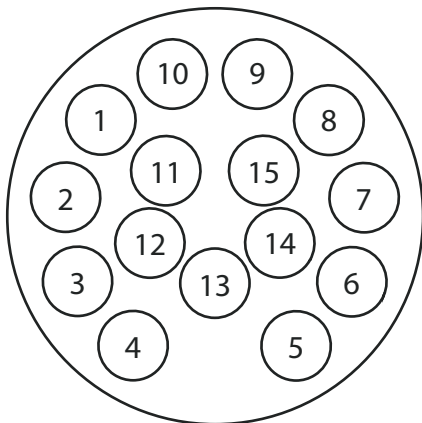
Wiring Detail



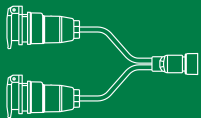
Description		
24N (ISO 1185)		
PIN#	Function	Colour
1	Ground	White
2	Left Hand Tail	Black
3	Left Hand Indicator	Yellow
4	Stop	Red
5	Right Hand Indicator	Green
6	Right Hand Tail	Brown
7	Braking Control	Blue



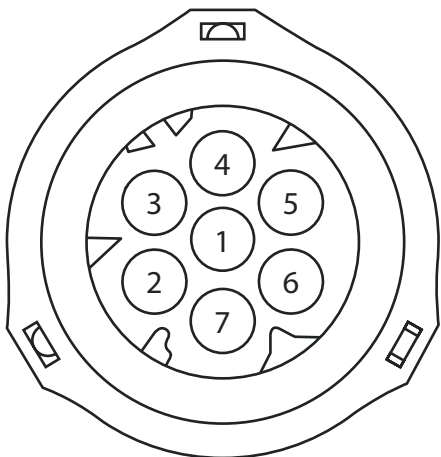
Description		
24S (ISO 3731)		
PIN#	Function	Colour
1	Ground	White
2	No Allocation	Black/White
3	Reverse	Yellow/White
4	Power Supply +24V	Red/White
5	Sensing Device with common return	Green/White
6	Power supply controlled by ignition switch	Brown/White
7	Fog	Blue/White



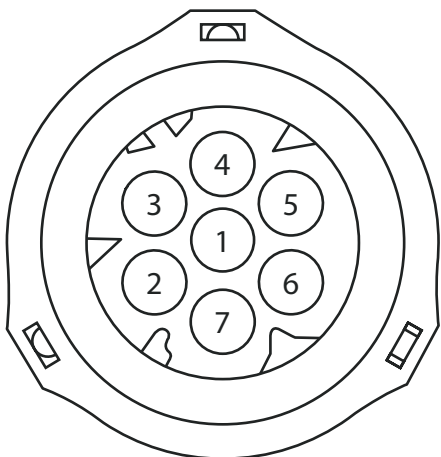
Description		
15P (ISO 12098)		
PIN#	Function	Colour
1	Left Hand Indicator	Yellow
2	Right Hand Indicator	Green
3	Fog	Blue
4	Ground	White
5	Left Hand Tail	Black
6	Right Hand Tail	Brown
7	Stop	Red
8	Reverse	Pink
9	Power Supply +24V	Orange
10	Brake Wear Sensor	Grey
11	Braking Control	Black/White
12	Axle Lifting Device	Blue/White
13	Ground for pins 14 & 15	Red/White
14	CAN H Data	Green/White
15	CAN L Data	Brown/White



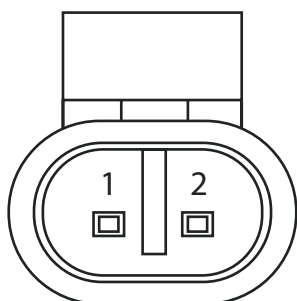
Wiring Detail



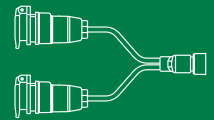
Description	
7 Way DIN (TL Configuration)	
PIN#	Function
1	Not Used
2	Directional Indicator
3	Stop
4	Tail
5	Reverse
6	Fog
7	Ground



Description	
7 Way DIN (EU Configuration)	
PIN#	Function
1	Ground
2	Tail
3	Reverse
4	Directional Indicator
5	Stop
6	Fog
7	Tail (Opposite Hand)



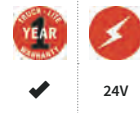
Description	
2 Way Super Seal	
PIN#	Function
1	Ground
2	Positive



M698

Sockets

Rubbolite[®]



Part Number	Pin	ISO	ADR
698/24N/00	7 Pin	ISO1185	
698/24S/00	7 Pin	ISO3731	

M695

Sockets

Rubbolite[®]



Part Number	Pin	ISO	ADR
695/01/00	15 Pin	ISO12098	✓

M699

Plugs

Rubbolite[®]



Part Number	Pin	ISO	ADR
699/24N/00	7 Pin	ISO1185	
699/24S/00	7 Pin	ISO3731	
699/15/00	15 Pin	ISO12098	✓

Product	Page No.	Product	Page No.
2 Way Looms	145-146	M134	120
3 Way Looms	146	M136	120
Brackets	85-87	M144	113
Centre Spines	142-143	M146	112
Extras	155-156	M148	112
Front Connections	140-141	M150	111
Hybrid Trailer Kit	139	M151	111
LED Trailer Kit	138	M152	111
Link Harnesses	148-150	M153	110
M22	81	M155	109
M28	80	M156	109
M33	105	M171	125
M38	42	M174	125
M50	79	M201	38
M51	78	M203	37
M56	96	M261	36
M61	41	M262	36
M64	41	M263	36
M78	127	M272	76
M80	40	M273	76
M88	39	M300	104
M91	127	M311	35
M92	126	M312	35
M94	126	M313	34
M98	105	M314	34
M100	121	M332	75
M108	136	M333	75
M110	78	M335	74
M111	136	M346	74
M118	135	M340	33
M120	135	M351	33
M122	77	M360	32
M124	134	M361	31
M133	121	M362	31

Product	Page No.	Product	Page No.
M430	124	M694	134
M440	104	M695	159
M441	103	M698	159
M442	103	M699	159
M461	30	M707	101
M462	29	M708	100
M463	29	M756	25
M465	28	M757	24
M466	27	M758	24
M467	26	M780	23
M490	26	M782	23
M491	25	M783	22
M510	73	M784	22
M511	73	M800	21
M550	72	M802	20
M552	102	M804	20
M553	72	M805	19
M555	71	M810	17
M556	71	M811	16
M563	108	M812	15
M590	70	M813	15
M595	70	M820	130
M596	69	M833	118
M597	69	M838	14
M603	102	M839	14
M604	101	M840	53
M610	68	M841	53
M615	68	M845	52
M620	67	M846	52
M626	67	M850	66
M635	98	M851	66
M645	119	M856	65
M647	118	M857	65
M673	97	M862	64

Product	Page No.	Product	Page No.
M863	64	SS/88014	93
M870	63	SS/88044	94
M871	63	SS/88234	94
M876	62	SS/89005	95
M877	62	SS/89016	95
M881	61	TL/15	122
M890	61	TL/18	84
M891	60	TL/27	98
M893	58	TL/34	83
M894	57	TL/35	82
M895	57	TL/45	43
M897	56	TL/80	100
M898	56	TL/81	91
M899	55	T-Piece Loom	147
M900	12-13	Wiring Details	157-158
M939	124		
M941	51		
M942	50		
M943	50		
OE Cross Reference	46-48		
Rear Harnesses	144-145		
Repair & Connector Kits	151-154		
SS/10	115		
SS/11	115		
SS/12	114		
SS/13	114		
SS/14	113		
SS/40	45		
SS/49	44		
SS/61	54		
SS/80	90		
SS/86	92		
SS/87	92		
SS/88012	93		



**RIGID**[®]

OWN THE NIGHT  TM

*Contact your local sales manager
for the latest Rigid Catalogue*



See & Be Seen®

Truck-Lite Europe Ltd

Barrows Road
Harlow, Essex CM19 5FA
United Kingdom

Telephone: +44 (0)1279 406406

Email: info@truck-lite.eu.com

Technical Support




Email: technical_queries@truck-lite.eu.com

Customer Orders

Email: orders@truck-lite.eu.com



Follow us on social media

@TruckliteEurope   

www.truck-lite.eu.com

